



POWER SUPPLY SPECIFICATION

MODEL NO.	MW MB10EU	ISSUE DATE	2020-03-04 (Revised: 2021-10-07)
CUSTOMER	Minwa standard	REF. NO.	

INPUT

INPUT VOLTAGE	100 to 240 Vac
INPUT FREQUENCY	60 / 50 Hz
INPUT FULL LOAD CURRENT (at 100 Vac)	250m A
NO LOAD POWER CONSUMPTION (@230V)	< 0.1W

OUTPUT

OUTPUT VOLTAGE (DC)	3.0 / 4.5 / 5.0 / 6.0 / 7.5 / 9.0 / 12.0V
OUTPUT CURRENT	1.0A max

OVERALL PERFORMANCE

TOTAL OUTPUT POWER	12.0W Max
AVERAGE ACTIVE EFFICIENCY	Min 69.642% (for 3.0V); Min 72.814% (for 4.5V); Min 73.623% (for 5.0V); Min 78.881% (for 6.0V); Min 80.256% (for 7.5V); Min 81.340% (for 9.0V); Min 82.963% (for 12.0V)
EFFICIENCY AT LOW LOAD (10%)	Min 59.6% (for 3.0V); Min62.8% (for 4.5V); Min 63.6% (for 5.0V); Min 68.8% (for 6.0V); Min70.2% (for 7.5V); Min 71.3% (for 9.0V); Min72.9% (for 12.0V)

PROTECTION

■ OVER CURRENT PROTECTION	■ SHORT CIRCUIT PROTECTION
■ OVER VOLTAGE PROTECTION	■ L.P.S (Limits for power source)
■ OVER POWER PROTECTION	□ AUTOMATIC THERMAL PROTECTION

HI-POT

INPUT TO OUTPUT	3000Vac 5 mA 50 Hz
INPUT TO CASE	3000Vac 5 mA 50Hz
OUTPUT TO CASE	500 Vac 5 mA 50Hz
ISOLATION RESISTANCE	100 M Ohms I/P-O/P I/P/Enclosure
APPLIANCE	Class II

ENVIRONMENTAL

OPERATING TEMPERATURE	0 °C to 25 °C
STORGE TEMPERATURE	-20 °C to 60 °C
OPERATING HUMIDITY	20%-85% RH. NON-CONDENSING
STORGE HUMIDITY	10%-90% RH. NON-CONDENSING

SAFFTY STANDARDS

SAFETY STANDARDS	EN 61558-2-16:2009+A1:2013 EN IEC 61558-1:2019
EMC STANDARDS	EN IEC 61204-3:2018

RELIABILITY

MTBF	30000 Hours min
BURN-IN	4 Hours 25°C, full load, 220Vac, 50Hz

MECHANICAL SPECIFICATION

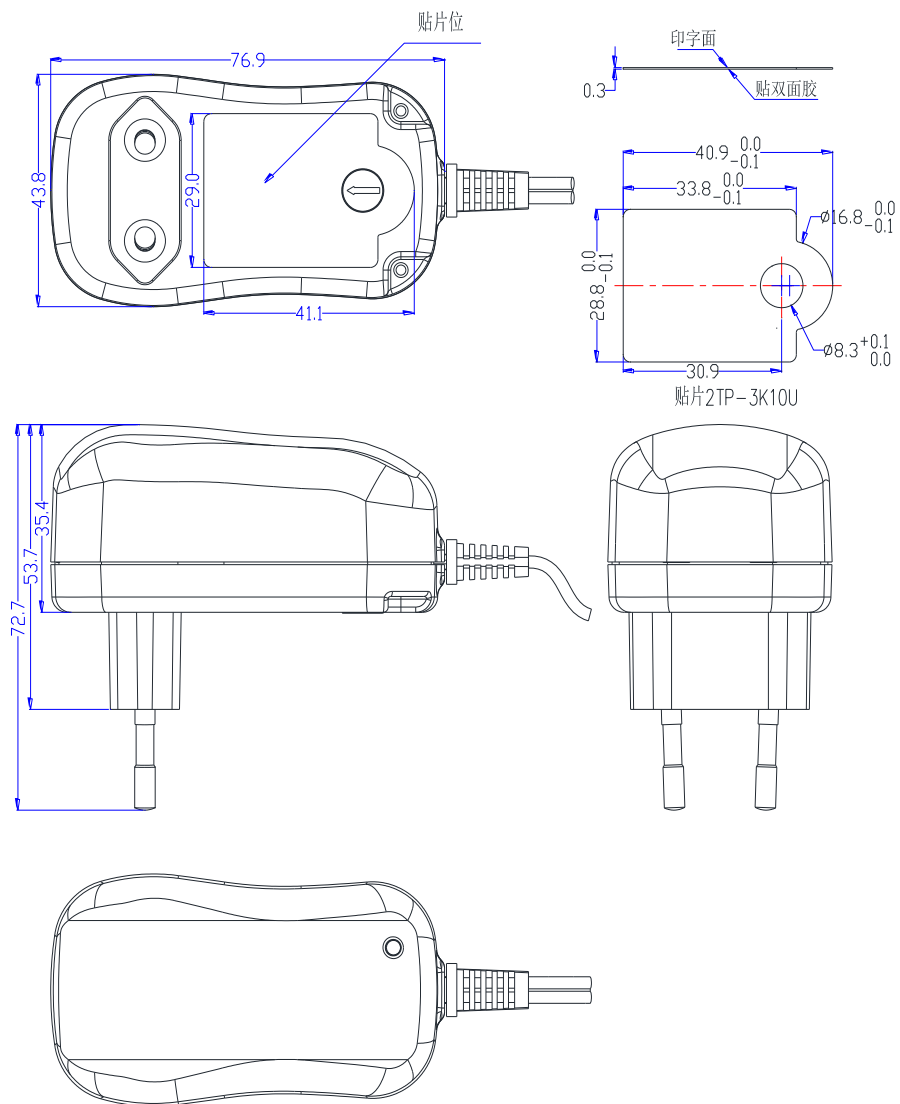


POWER SUPPLY SPECIFICATION

MODEL NO.	MW MB10EU	ISSUE DATE	2020-03-04 (Revised: 2021-10-07)
CUSTOMER	Minwa standard	REF. NO.	

DIMENSION	76.9 mm(L)*43.8 mm(W)* 35.4mm(H) (excluded plug) 76.9 mm(L)*43.8 mm(W)* 72.7mm(H) (included plug)
WEIGHT	108g MAX exclude packing
INPUT PLUG	Direct plug-in EU type
OUTPUT CORD	PVC, Length 1.8m
OUTPUT PLUG	Depends on client request

Appearance



APPROVE:

AUDITING:

CONNER: