



### POWER SUPPLY SPECIFICATION

MODEL NO.	MW MB10E-H	ISSUE DATE	2022-08-24
CUSTOMER	Minwa Standard	REF. NO.	

#### INPUT

INPUT VOLTAGE	100 to 240 Vac
INPUT FREQUENCY	60 / 50 Hz
INPUT FULL LOAD CURRENT (at 100 Vac)	250 mA
NO LOAD POWER CONSUMPTION (@230V)	< 0.1W

#### OUTPUT

OUTPUT VOLTAGE (DC)	13.5 / 15 / 18 / 20 / 21 / 24 / 30V
OUTPUT CURRENT	13.5 / 15V 0.8A, 18V 0.67A, 20 / 21 / 24V 0.5A , 30V 0.4A

#### OVERALL PERFORMANCE

TOTAL OUTPUT POWER	12.0W Max
AVERAGE ACTIVE EFFICIENCY	Min 82.383% (for 13.5V); Min 82.963% (for 15V); Min 82.990% (for 18V); Min 81.948% (for 20V); Min 82.225% (for 21V); Min 82.963% (for 24V); Min 82.963% (for 30V)
EFFICIENCY AT LOW LOAD (10%)	Min 72.3% (for 13.5V); Min 72.9% (for 15V); Min 72.9% (for 18V); Min 71.9% (for 20V); Min 72.2% (for 21V); Min 72.9% (for 24V); Min 72.9% (for 30V)

#### PROTECTION

■ OVER CURRENT PROTECTION	■ SHORT CIRCUIT PROTECTION
■ OVER VOLTAGE PROTECTION	■ L.P.S (Limits for power source)
■ OVER POWER PROTECTION	□ AUTOMATIC THERMAL PROTECTION

#### HI-POT

INPUT TO OUTPUT	3000Vac 5 mA 50 Hz
INPUT TO CASE	3000Vac 5 mA 50Hz
OUTPUT TO CASE	500 Vac 5 mA 50Hz
ISOLATION RESISTANCE	100 M Ohms I/P-O/P I/P/Enclosure
APPLIANCE	Class II

#### ENVIRONMENTAL

OPERATING TEMPERATURE	0 °C to 25 °C
STORGE TEMPERATURE	-20 °C to 60 °C
OPERATING HUMIDITY	20%-85% RH. NON-CONDENSING
STORGE HUMIDITY	10%-90% RH. NON-CONDENSING

#### SAFFTY STANDARDS

SAFETY STANDARDS	EN 61558-2-16:2009+A1:2013 conjunction with EN IEC 61558-1:2019 BS EN 61558-2-16:2009+A1:2013 conjunction with BS EN IEC 61558-1:2019
EMC STANDARDS	<a href="#">EN IEC 61204-3:2018</a>

#### RELIABILITY

MTBF	30000 Hours min
BURN-IN	4 Hours 25°C, full load, 220Vac, 50Hz

#### MECHANICAL SPECIFICATION

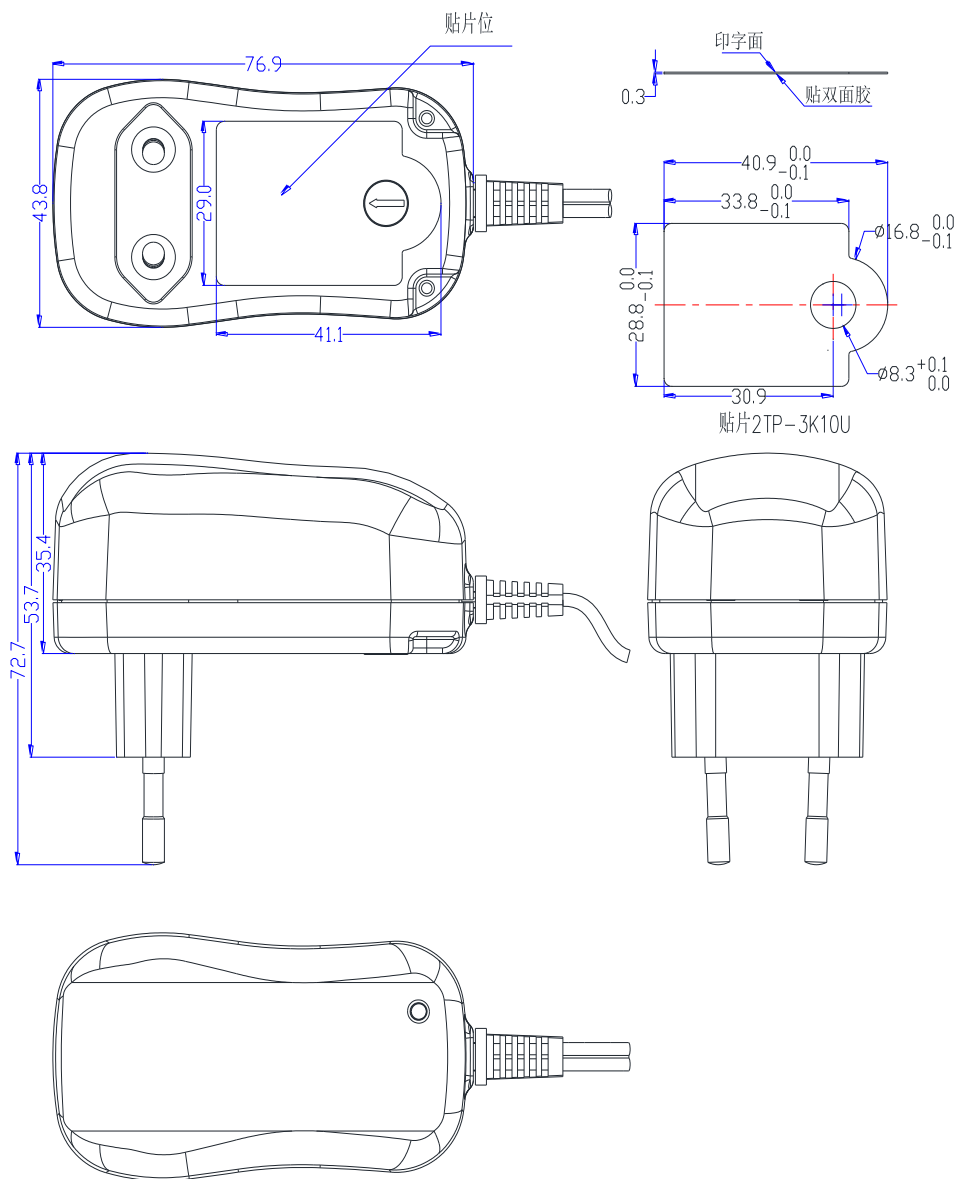


**POWER SUPPLY SPECIFICATION**

MODEL NO.	MW MB10E-H	ISSUE DATE	2022-08-24
CUSTOMER	Minwa Standard	REF. NO.	

DIMENSION	76.9 mm(L)*43.8 mm(W)* 35.4mm(H) (excluded plug) 76.9 mm(L)*43.8 mm(W)* 72.7mm(H) (included plug)
WEIGHT	109.8 g MAX exclude packing
INPUT PLUG	Direct plug-in EU type
OUTPUT CORD	PVC, Length 1.8m
OUTPUT PLUG	Depends on client request

**Appearance**



APPROVE:

AUDITING:

CONNER: