



POWER SUPPLY SPECIFICATION

MODEL NO.	MW MB10E-L	ISSUE DATE	2022-06-07
CUSTOMER	Minwa Standard	REF. NO.	

INPUT

INPUT VOLTAGE	100 to 240 Vac
INPUT FREQUENCY	60 / 50 Hz
INPUT FULL LOAD CURRENT (at 100 Vac)	250 mA
NO LOAD POWER CONSUMPTION (@230V)	< 0.1W

OUTPUT

OUTPUT VOLTAGE (DC)	3.0 / 4.5 / 5.0 / 6.0 / 7.5 / 9.0 / 12.0V
OUTPUT CURRENT	3.0 / 4.5 / 5.0V 2A , 6.0 / 7.5V 1.5A, 9V 1.3A, 12V 1.0A

OVERALL PERFORMANCE

TOTAL OUTPUT POWER	12.0W Max
AVERAGE ACTIVE EFFICIENCY	Min 75.003% (for 3.0V); Min 77.965% (for 4.5V); Min 78.704% (for 5.0V); Min 81.34% (for 6.0V); Min 82.610% (for 7.5V); Min 82.825% (for 9.0V); Min 82.963% (for 12.0V)
EFFICIENCY AT LOW LOAD (10%)	Min 65.0% (for 3.0V); Min 67.9% (for 4.5V); Min 68.7% (for 5.0V); Min 71.3% (for 6.0V); Min 72.6% (for 7.5V); Min 72.8% (for 9.0V); Min 72.9% (for 12.0V)

PROTECTION

■ OVER CURRENT PROTECTION	■ SHORT CIRCUIT PROTECTION
■ OVER VOLTAGE PROTECTION	■ L.P.S (Limits for power source)
■ OVER POWER PROTECTION	□ AUTOMATIC THERMAL PROTECTION

HI-POT

INPUT TO OUTPUT	3000Vac 5 mA 50 Hz
INPUT TO CASE	3000Vac 5 mA 50Hz
OUTPUT TO CASE	500 Vac 5 mA 50Hz
ISOLATION RESISTANCE	100 M Ohms I/P-O/P I/P/Enclosure
APPLIANCE	Class II

ENVIRONMENTAL

OPERATING TEMPERATURE	0 °C to 25 °C
STORGE TEMPERATURE	-20 °C to 60 °C
OPERATING HUMIDITY	20%-85% RH. NON-CONDENSING
STORGE HUMIDITY	10%-90% RH. NON-CONDENSING

SAFFTY STANDARDS

SAFETY STANDARDS	EN 61558-2-16:2009+A1:2013 conjunction with EN IEC 61558-1:2019 BS EN 61558-2-16:2009+A1:2013 conjunction with BS EN IEC 61558-1:2019
EMC STANDARDS	EN 55032:2015+A1:2020 EN 55035:2017+A11:2022 EN IEC 61000-3-2:2019+A1:2019 EN 61000-3-3:2013+A1:2019+A2:2021

RELIABILITY

MTBF	30000 Hours min
------	-----------------



POWER SUPPLY SPECIFICATION

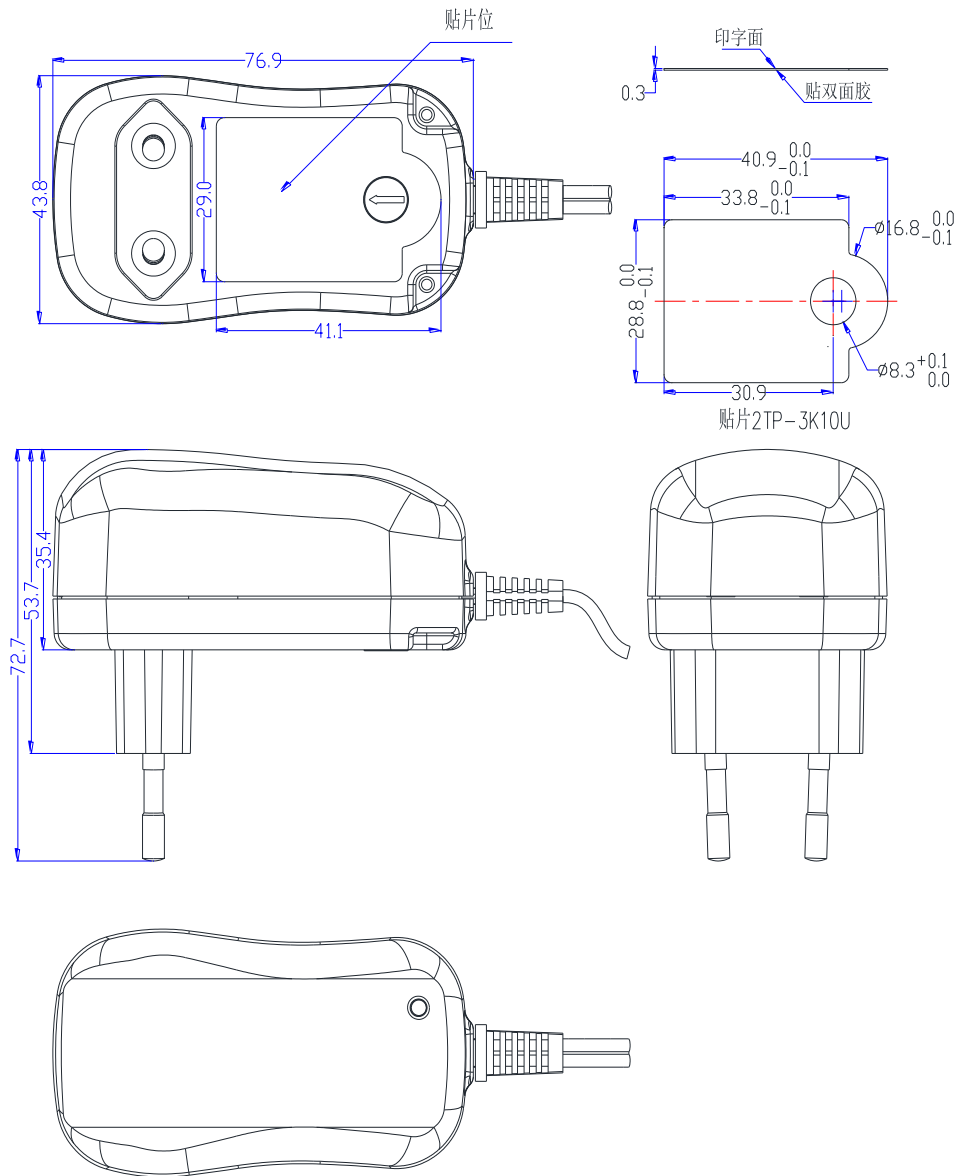
MODEL NO.	MW MB10E-L	ISSUE DATE	2022-06-07
CUSTOMER	Minwa Standard	REF. NO.	

BURN-IN	4 Hours 25°C, full load, 220Vac, 50Hz
---------	---------------------------------------

MECHANICAL SPECIFICATION

DIMENSION	76.9 mm(L)*43.8 mm(W)* 35.4mm(H) (excluded plug) 76.9 mm(L)*43.8 mm(W)* 72.7mm(H) (included plug)
WEIGHT	109.8 g MAX exclude packing
INPUT PLUG	Direct plug-in EU type
OUTPUT CORD	PVC, Length 1.8m
OUTPUT PLUG	Depends on client request

Appearance



APPROVE:

AUDITING:

CONNER: