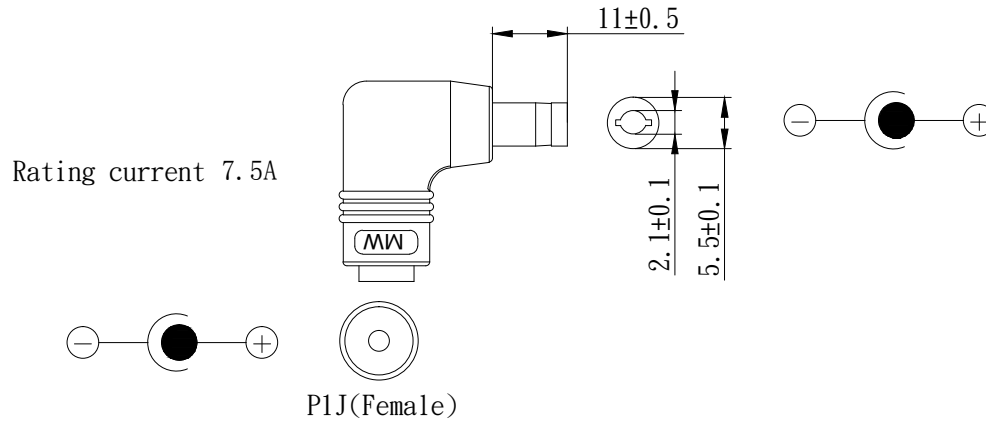


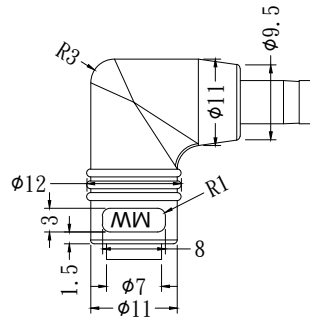
Order No. :DC PLUG-P1J-P1JR



OC02WG0001

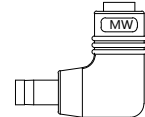

OEM | Serial number
Internal code
month
year

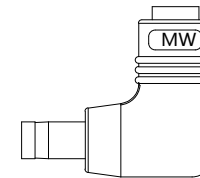
O:OEM
C0:2020 (A:0, B:1, C:2)
2:February(A:10, B:11, C:12)
WG:Internal code
0001:Serial number



Remark:
1.30pcs per packing

PACKAGING BAG

MW' s Order NO.	DC PLUG-P1J-P1JR
Specification	Straight P1J (2.1*5.5*11mm) → Right-angled P1JR (2.1*5.5*11mm) 
Quantity	1 pc
Bar code	 OC02WG0001



明緯企業股份有限公司
MEAN WELL ENTERPRISES CO., LTD.

DC PLUG	P/NO: PFF1DC PLUG-P1J-P1JR
Made by TA WANG	Date: 2022-07-13