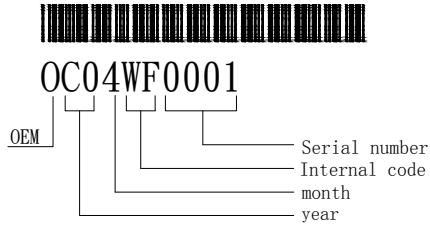
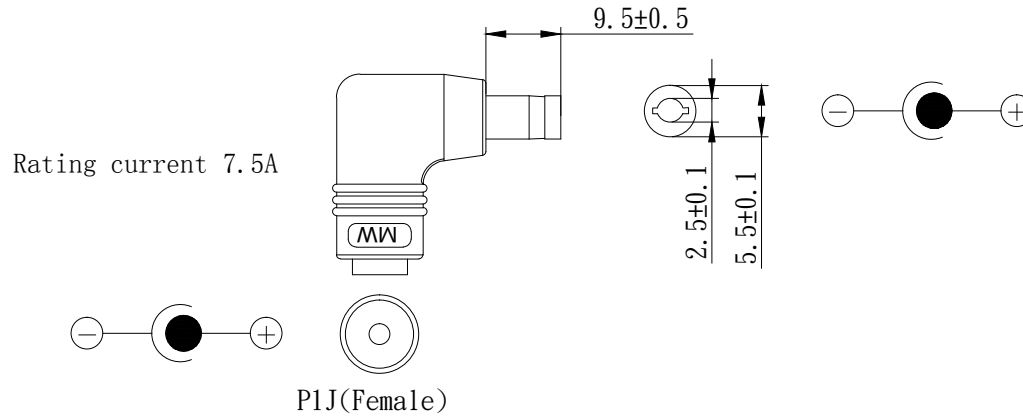
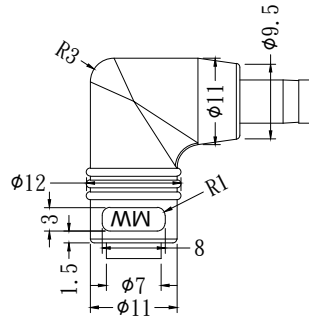


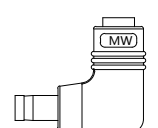

# Order No. :DC PLUG-P1J-P1LR

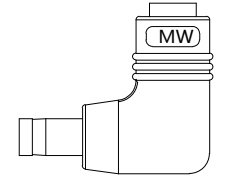


O:OEM  
 C0:2020 (A:0, B:1, C:2)  
 4:April(A:10, B:11, C:12)  
 WF:Internal code  
 0001:Serial number



Remark:  
 1.30pcs per packing

| PACKAGING BAG   |  |
|-----------------|--|
| MW' s Order NO. | DC PLUG-P1J-P1LR   |
| Specification   | Straight P1J (2.1*5.5*11mm)<br>→ Right-angled P1LR(2.5*5.5*9.5mm)  |
| Quantity        | 1 pc   |
| Bar code        | <br>OC04WF0001  |




明緯企業股份有限公司  
 MEAN WELL ENTERPRISES CO., LTD.

|                 |                            |
|-----------------|----------------------------|
| DC PLUG         | P/NO: PFF1DC PLUG-P1J-P1LR |
| Made by TA WANG | Date: 2022-07-13           |