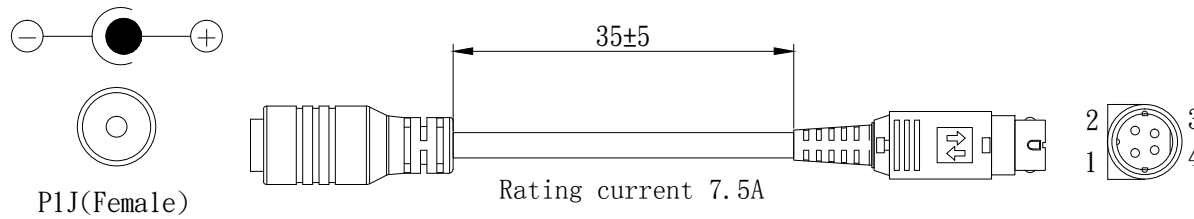


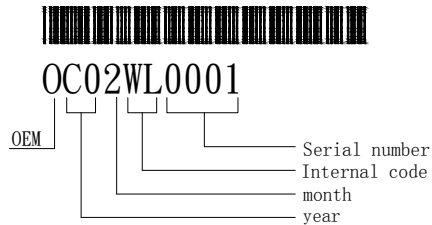
# Order No. :DC PLUG-P1J-R7B



### Pin Assignmet

P1J+ connected to R7B P1、4 (+)

P1J- connected to R7B P2、3 (-)



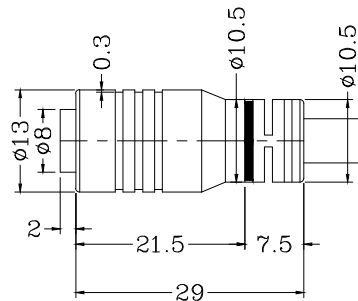
0:OEM

C0:2020 (A:0, B:1, C:2)

2:February(A:10, B:11, C:12)

WL:Internal code

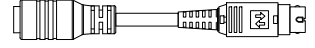

0001:Serial number



Remark:

1. 30pcs per packing

### PACKAGING BAG

MW' s Order NO.	DC PLUG-P1J-R7B
Specification	Straight P1J(2.1*5.5*11mm) → 4pin din R7B (KYCON KPPX-4P equivalent)  R7B P1、4 (+) 2 R7B P2、3 (-) 1
Quantity	1 pc
Bar code	 OC02WL0001



明緯企業股份有限公司

MEAN WELL ENTERPRISES CO., LTD.

DC PLUG

P/NO: PFF1DC PLUG-P1J-R7B

Made by TA WANG

Date: 2022-07-13