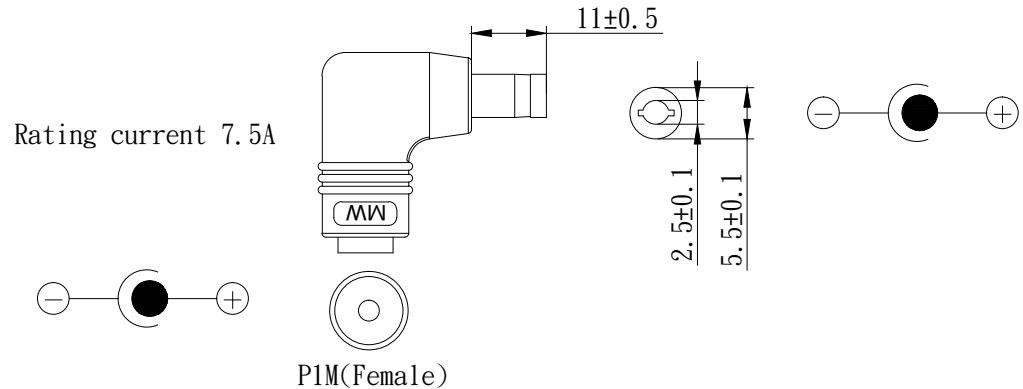

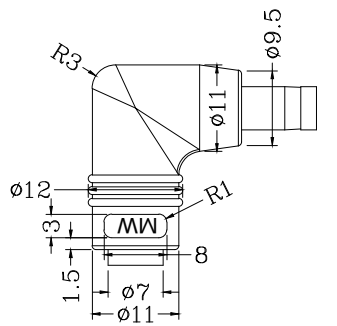


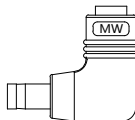

Order No. :DC PLUG-P1M-P1JR

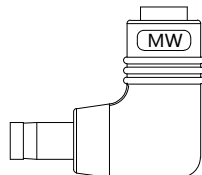



OC02W00001
 OEM | Serial number
 | Internal code
 | month
 | year
 0:OEM
 C0:2020 (A:0, B:1, C:2)
 2:February(A:10, B:11, C:12)
 W0:Internal code
 0001:Serial number



Remark:
1. 30pcs per packing

PACKAGING BAG	
MW' s Order NO.	DC PLUG-P1M-P1JR
Specification	Straight P1M (2.5*5.5*11mm) → Right-angled P1JR(2.1*5.5*11mm) 
Quantity	1 pc
Bar code	 OC02W00001




明緯企業股份有限公司
MEAN WELL ENTERPRISES CO., LTD.

DC PLUG	P/NO: PFF1DC PLUG-P1M-P1JR
Made by TA WANG	Date: 2022-07-13