



HITPOINT

TEL:8862-26013311

FAX:8862-26013898

NO.4 Lane 505, Zhongzheng Rd., Linkou Shiang, Taipei, Taiwan 24445 . R.O.C

Magnetic Buzzer PB-0440MFD-03Q

(RoHS)

DATE:2014.12.31

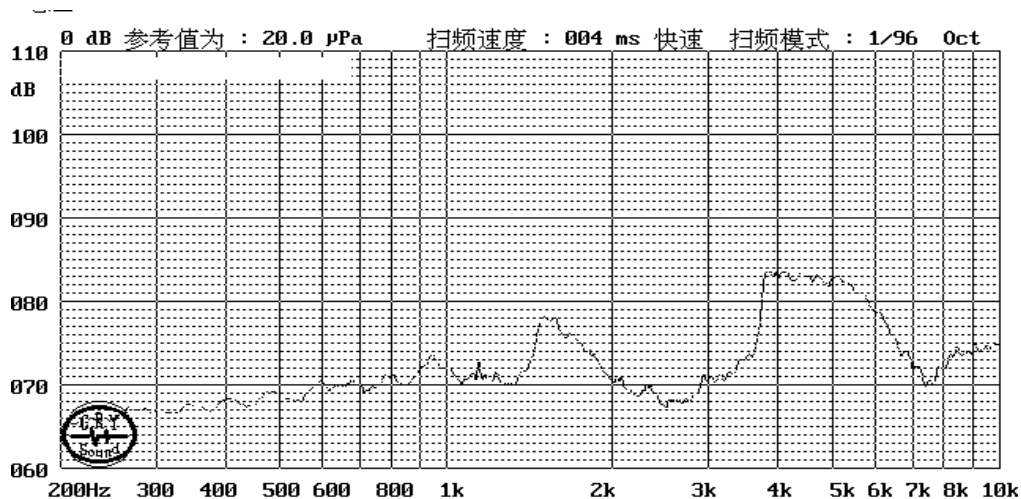
1. Electrical Characteristics

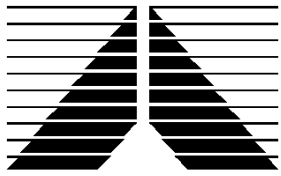
VER.:0

Oscillation Frequency (Hz)	4000
Operating Voltage (Vp-p)	2.0 ~ 4.0
Rated Voltage (Vp-p)	3.0
Current Consumption (mA/max.)	110 at Rated Voltage
Sound Pressure Level (dB/min.)	70 at 10cm at Rated Voltage
Coil Resistance (Ω)	17 ± 3
Operating Temperature ($^{\circ}\text{C}$)	$-30 \sim +70$
Storage Temperature ($^{\circ}\text{C}$)	$-30 \sim +80$
Condition by wave ($^{\circ}\text{C}$)	$260 \pm 5^{\circ}\text{C}$ / within 5sec
Condition by hand ($^{\circ}\text{C}$)	$350 \pm 20^{\circ}\text{C}$ / within 5sec

PS : Vp-p = 1/2duty , square wave

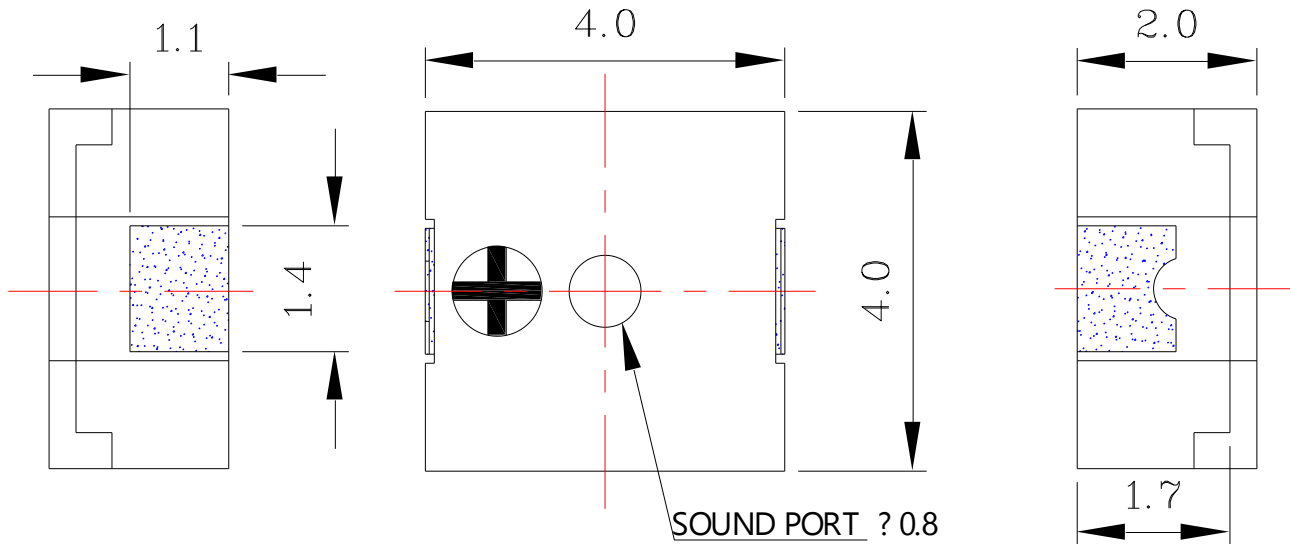
2. Typical Frequency Response Curve





3. Dimensions and Material

3-1 Shape

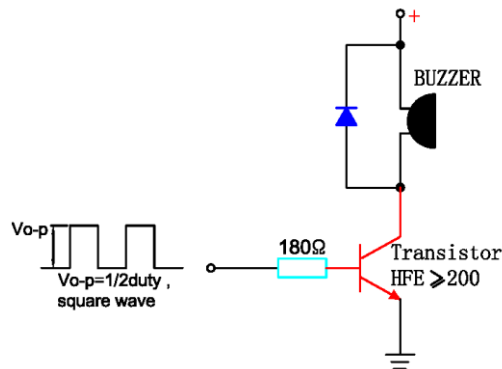


TOL: ± 0.3 Unit : mm

3-2 Material

Housing	LCP plastic resin (Color : Black)
Leading Pin	Tin Plated Brass(Sn)
Weight (Gram)	0.1

4. Recommend Driving Circuit



The base current I_b should high enough so that it saturates the collector current of the transistor with the CB load.



HITPOINT

TEL:8862-26013311

FAX:8862-26013898

NO.4 Lane 505, Zhongzheng Rd., Linkou Shiang, Taipei, Taiwan 24445 . R.O.C

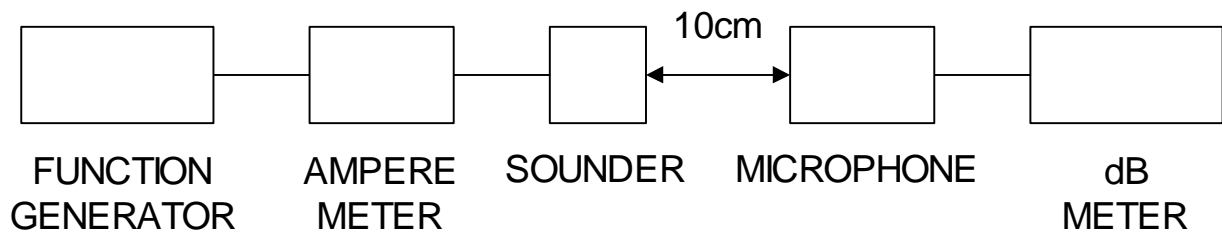
5. TESTING METHOD

. *Standard Measurement conditions*

Temperature:25±2°C Humidity:45-60%

. *Acoustic Characteristics*

The oscillation frequency, current consumption and sound pressure are measured by the measuring instruments shown below.





HITPOINT

TEL:8862-26013311

FAX:8862-26013898

NO.4 Lane 505, Zhongzheng Rd., Linkou Shiang, Taipei, Taiwan 24445 . R.O.C

6. RELIABILITY

ITEMS	METHOD OF TEST AND MEASUREMENTS	PERFORMANCE
<i>Coldness withstanding</i>	<i>After 98 hours of being exposed to -30°C environment, should be returned to normal environment for 2 hours, then re-proceed to test.</i>	<i>No abnormality shall exist</i>
<i>Hotness withstanding</i>	<i>After 98 hours of being exposed to +80°C environment, should be returned to normal environment for 2 hours, then re-proceed to test.</i>	<i>No abnormality shall exist</i>
<i>Humidity withstanding</i>	<i>After 98 hours of being exposed to 30°C 95%RH environment in actual operation, should be returned to normal environment for 2 hours, then re-proceed to test.</i>	<i>No abnormality shall exist</i>
<i>Durability</i>	<i>Testing after 98 hours actual continuous operation. (at standard measurement conditions)</i>	<i>No abnormality shall exist</i>
<i>Drop withstanding</i>	<i>A natural drop from 75cm high down to the ground.</i>	<i>No abnormality shall exist</i>
<i>Vibration withstanding</i>	<i>Vibration of 2,000 cycles per minute, 2mm amplitude, applied in X, Y and Z directions for 30 minutes each.</i>	<i>No abnormality shall exist</i>



HITPOINT

TEL:8862-26013311

FAX:8862-26013898

NO.4 Lane 505, Zhongzheng Rd., Linkou Shiang, Taipei, Taiwan 24445 . R.O.C

7. PACKAGE METHOD

< 1 > 3000pcs per tape reel; 10ape reel per carton , total 30000pcs carton;

Volume: L*W*H=360*360*360mm

< 2 > N.W. ; 3KGS; G . W . : 7KGS;

< 3 > RoHS Mark

