



# HITPOINT

TEL:8862-26013311

FAX:8862-26013898

NO.4 Lane 505, Zhongzheng Rd., Linkou Shiang, Taipei, Taiwan 24445 . R.O.C

## PH-125Q

DATE:2005.07.27

### 1 . Electrical Characteristics

VER :.0

Resonant Frequency (KHz)	0.5 ~ 7
Impedance ( $\Omega$ )	8 $\pm$ 2
Input Power W (RMS)	10
Material	ABS Plastic
Operating Temperature ( $^{\circ}$ C)	-20 ~ +70
Storage Temperature ( $^{\circ}$ C)	-30 ~ +80
Manual soldering conditions	350 $\pm$ 20 $^{\circ}$ C / within 5sec

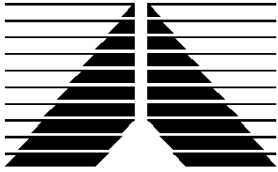
### 2 . Typical Frequency Response Curve

ESC End      D A S    Frequency Response      i 06.12.00 10:51

Distance Loudsp.- Mic.: 10.0cm dB SPL normalised on 1 Meter

M0: PH-125





# HITPOINT

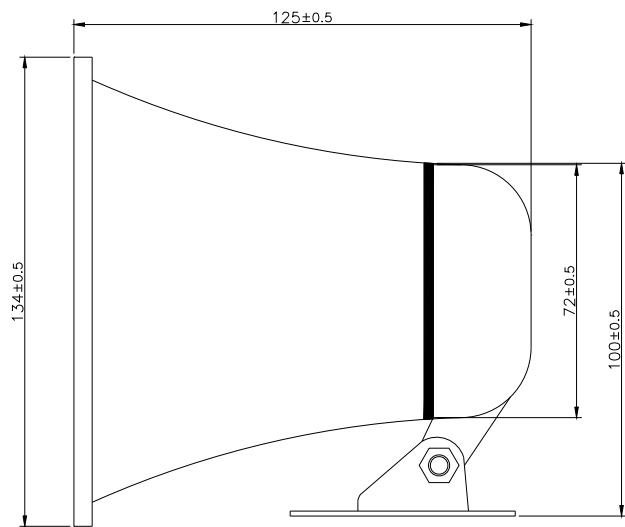
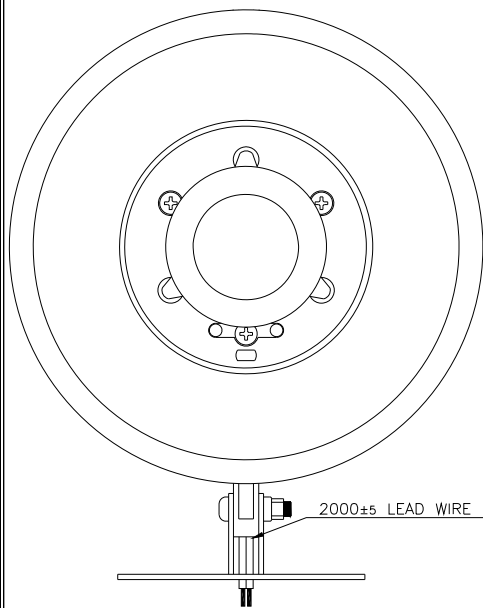
TEL:8862-26013311

FAX:8862-26013898

NO.4 Lane 505, Zhongzheng Rd., Linkou Shiang, Taipei, Taiwan 24445 . R.O.C

### 3 . Dimensions and Material

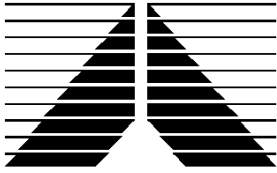
#### 3-1 Shape



Unit : mm

#### 3-2 Material

Housing	ABS 757 UL94HB plastic resin (Color : Black)
Leading Wire	20 AWG
Weight (Gram)	100



# HITPOINT

TEL:8862-26013311

FAX:8862-26013898

NO.4 Lane 505, Zhongzheng Rd., Linkou Shiang, Taipei, Taiwan 24445 . R.O.C

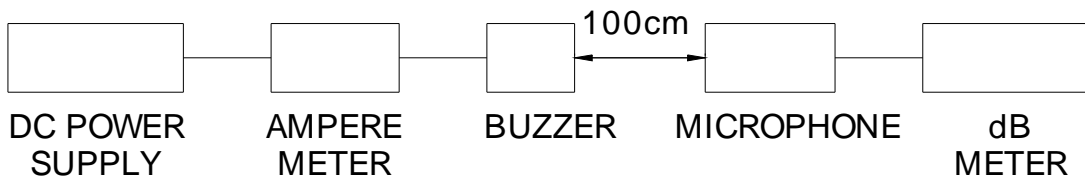
## 4. TESTING METHOD

### · *Standard Measurement conditions*

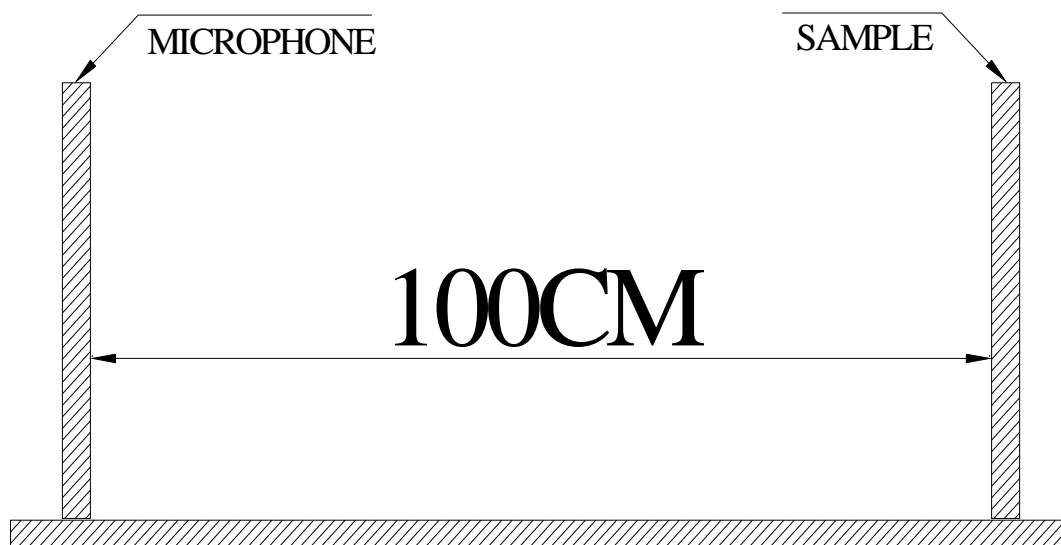
*Temperature:25±2 °C Humidity:45-60%*

### · *Acoustic Characteristics*

*The oscillation frequency, current consumption and sound pressure are measured by the measuring instruments shown below.*



*In the measuring test, buzzer is placed as follows:*





# HITPOINT

TEL:8862-26013311

FAX:8862-26013898

NO.4 Lane 505, Zhongzheng Rd., Linkou Shiang, Taipei, Taiwan 24445 . R.O.C

## 5. RELIABILITY

<b>ITEMS</b>	<b>METHOD OF TEST AND MEASUREMENTS</b>	<b>PERFORMANCE</b>
<i>Coldness withstanding</i>	<i>After 98 hours of being exposed to -30℃ environment, should be returned to normal environment for 2 hours, then re-proceed to test.</i>	<i>No abnormality shall exist</i>
<i>Hotness withstanding</i>	<i>After 98 hours of being exposed to +80℃ environment, should be returned to normal environment for 2 hours, then re-proceed to test.</i>	<i>No abnormality shall exist</i>
<i>Humidity withstanding</i>	<i>After 98 hours of being exposed to 40℃ 95%RH environment in actual operation, should be returned to normal environment for 2 hours, then re-proceed to test.</i>	<i>No abnormality shall exist</i>
<i>Durability</i>	<i>10sec on/10sec off ; 1000hours(180000 cycles)</i>	<i>No abnormality shall exist</i>
<i>Vibration withstanding</i>	<i>Linear vibrate frequency rate: 5~55Hz Time:180sec , applied in X, Y and Z directions for 3 times each.</i>	<i>No abnormality shall exist</i>

## 6. PACKAGE METHOD

<1> 4pcs per box , Total 9 boxes per carton , total 36pcs carton;

Volume: L\*W\*H=510\*330\*300mm