

SMALL CONTROL UNIT WITH SATELLITE DISPLAYS

EA PLC SERIES



FEATURES

- Core with 2.8" Color Display including Touchpanel
- Core is designed for DIN rail mounting
- 8 Inputs, 4-20mA, 0-10V, 4 Relay outputs
- Space saving in the control cabinet due to narrow design with 5 TE
- Satellite Displays in many different sizes from 1.5" to 10.1" and different mounting options
- Interconnection via Wifi / WLAN, Ethernet and RS-485
- Built-in RTC Clock
- Quick and easy commissioning thanks to tool-free push-in connection technology at a 45° angle

ORDERING CODE

Core PLC for DIN rail mount, 2.8" with Touchpanel
 Satellite Display Wall mount, 4.3" with Touchpanel
 Mounting Clips for Satellite Display (2 pcs.)

EA PLCC28-D8I4R4AR

EA PLCS43-DS

EA 00C1-1KNS

Accessories

24V supply 110/230V~

Y cable for power supply (1-2 displays)

USB <-> RS-485 Adaptor

EA PS24V-18W

EA KH21-102Y

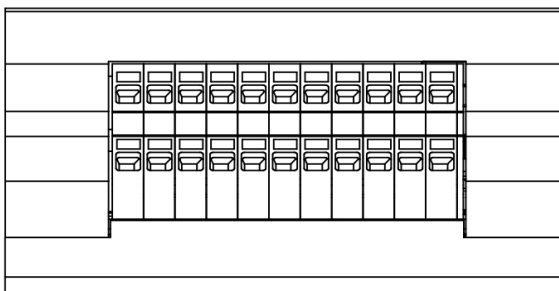
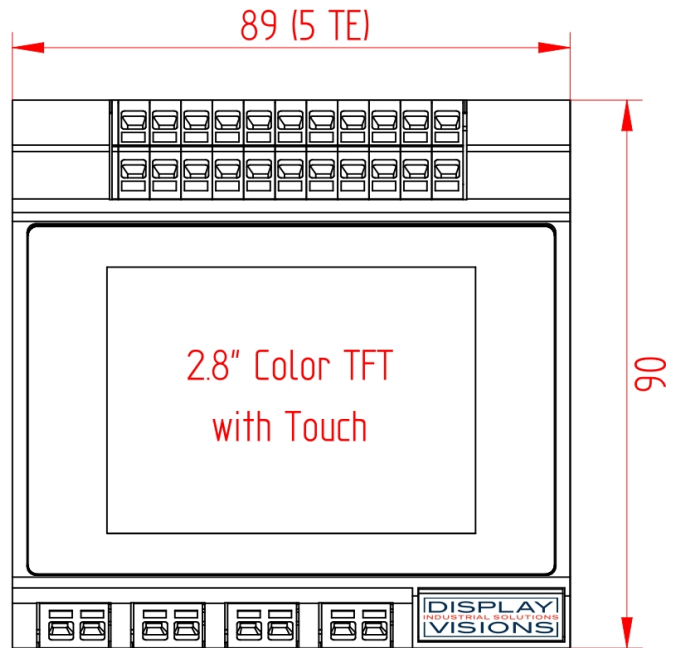
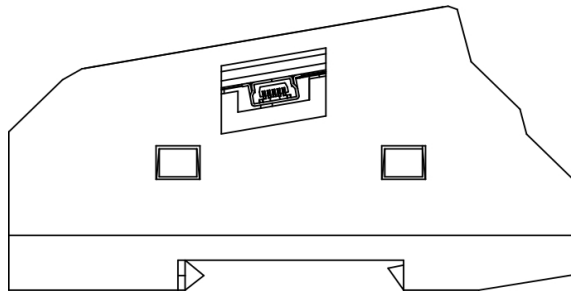
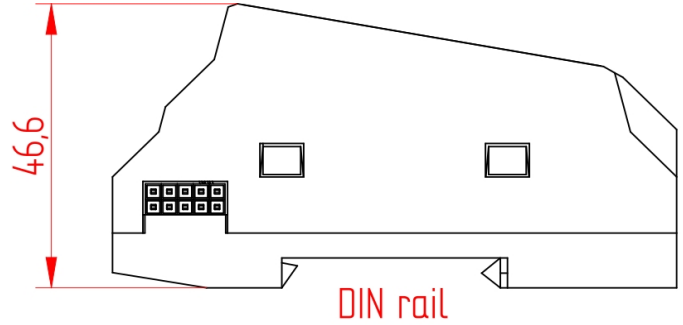
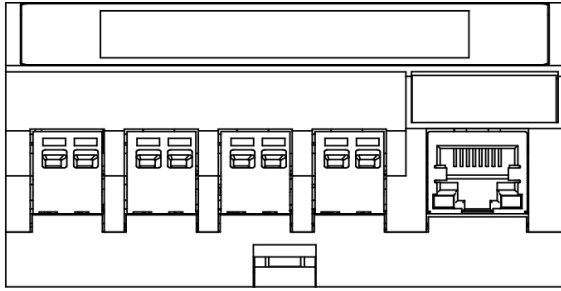
EA 9790-USB485

Dimension

Following pages show drawings with dimensions noted.

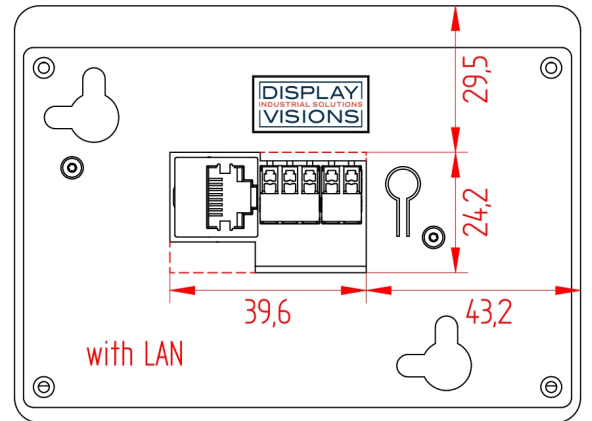
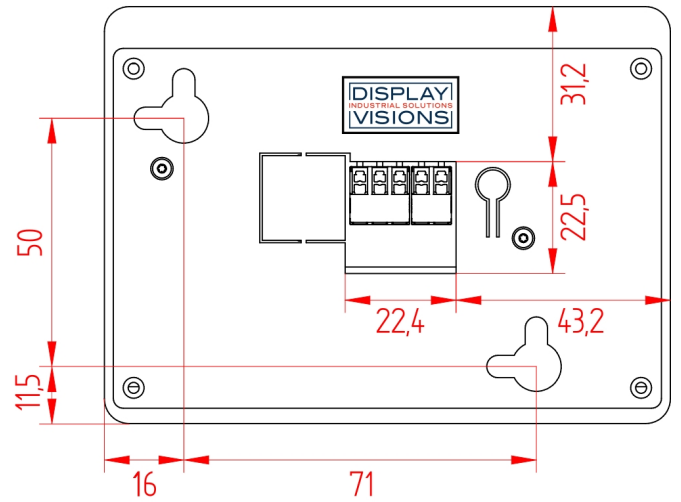
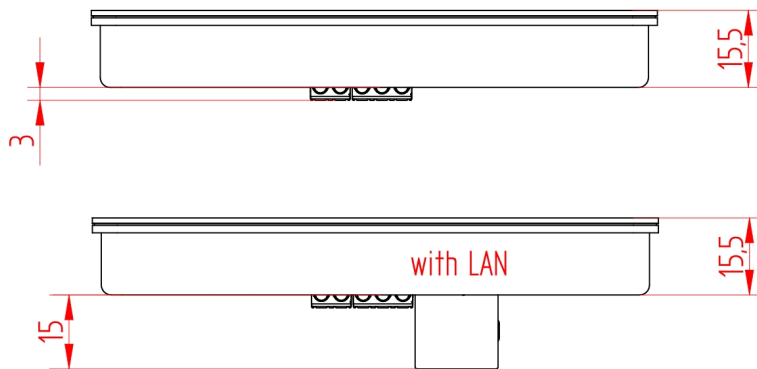
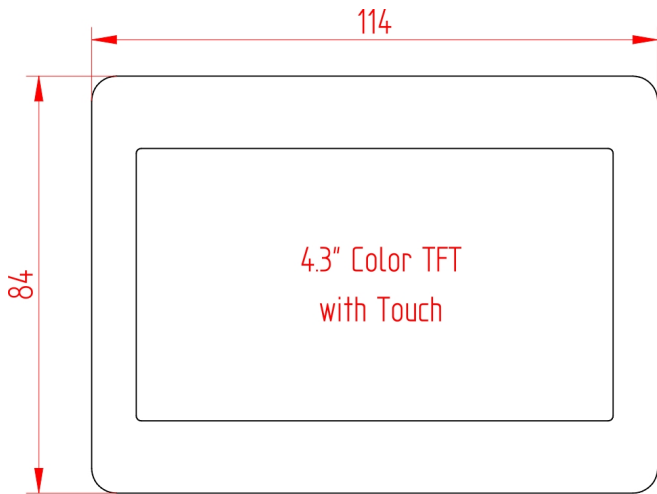
EA PLCC28

Core for DIN rail mounting



all dimension are in mm

EA PLCS43 Satellite Display with Touch 4.3"

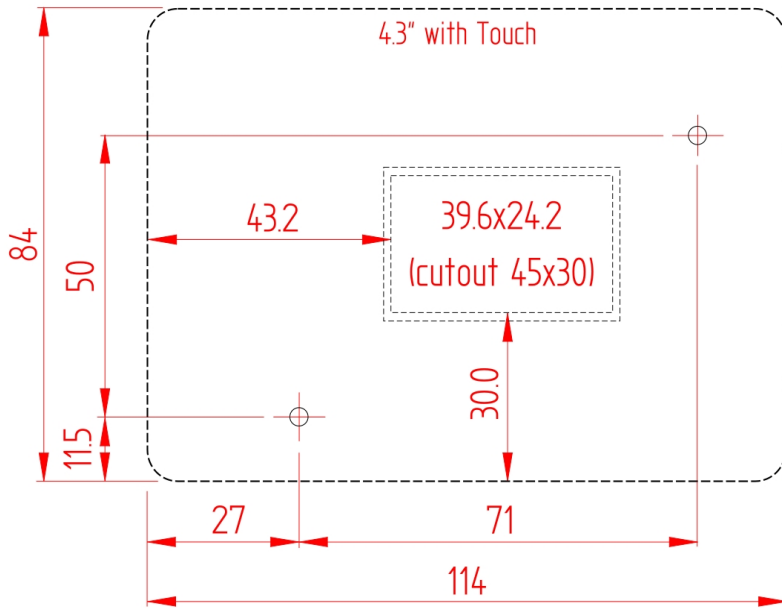


all dimension are in mm

Wall Mount

The EA PLCS43-DS is prepared for easy wall mount. Simply fixed by 2 screws 4x40 or similar. The dashed area represents the display outline and the connector zone for cable outlet.

This is view from front:



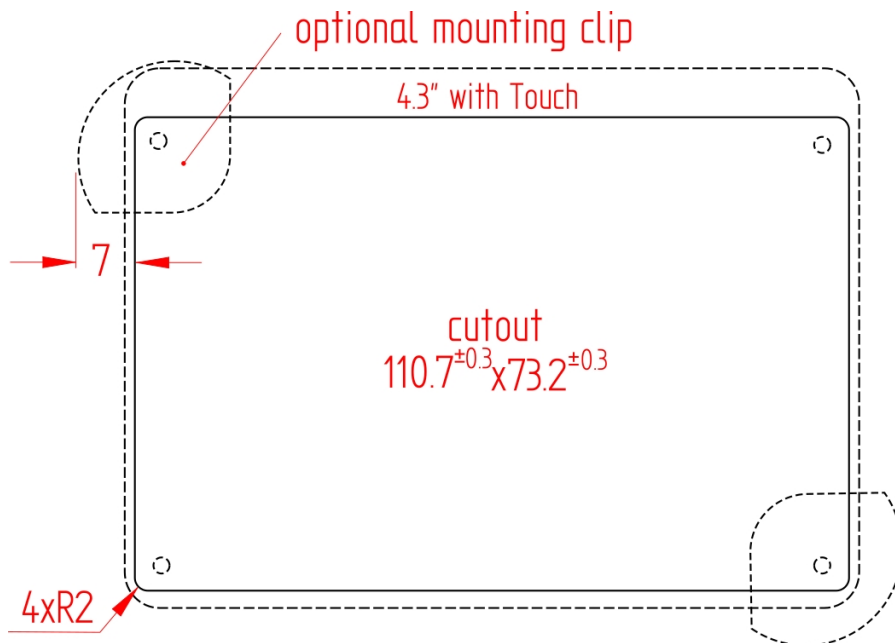
all dimension are in mm

Panel Mount

The EA PLCS43-DS can be easily installed in any front panel. It's made for panel thickness from 1.0mm to 6.0mm and will be fixed by 2 or 4 mounting clips EA 00C1-1KNS (please order separately). Assembly is done by screws.

Panel thickness	Recommended screws	
1.0~4.0 mm	2.5x10	Do not use screw longer than 10mm. Otherwise display could be damaged!
3.0~6.0 mm	2.5x12	

Recommended cutout is 110.7x73.2mm. The dashed area represents the display outline and the mounting clips. This is view from front:

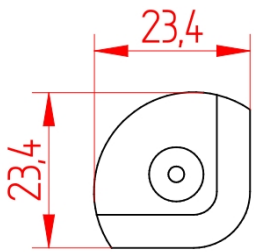


all dimension are in mm

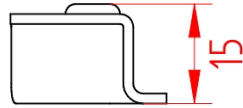
EA 00C1-1KNS Mounting Clips for Satellite

There are optionally 2 mounting clips to fix the Satellite Displays.

They come together with screws in 2 different length for different panel thickness: 2.5x10 and 2.5x12



2 pcs. incl. screws



Electrical Specification

Following pages show the electrical specifications.

EA PLCC28 - The Core

General

	Core 2.8"
Resolution	320x240x3
TFT Size	2.8" IPS
Setup	PCAP Touch Panel
Dimension	89x90x47 mm
Mount	DIN-rail - 5 TE
I/O	8x In 4x Relay 2x 4-20mA 2x 0..10V 1x RS-232
RTC	Built-in
Interconnection	RS-485, WiFi, Ethernet
Temp. Range	-20..+50°C
IP code	IP20
Supply Voltage	12-24V=
Display	IPS with PCAP, optically bonded

Electrical characteristics

Item	Symbol	Condition	Min	Typ	Max	Unit	Remark
Power Supply	VIN		10.5		30	V	DC
Power consumption	PWR	VIN= 24V		1.3		W	all relay off
				3.7		W	4x relay on
Input voltage low	I1 .. I8		0	3		V	
Input voltage high	I1 .. I8			7	30	V	
Input resistance	I1 .. I8			47		kΩ	
Analogue Input	A1U, A2U		0		10.5	V	DC
Analogue Input	A3I, A4I		0		22	mA	DC
Voltage Load	A3I, A4I	I=20mA				V	
Linearity		±1 count			1	%	
Time backup	RTC	Power outage	168			hr	
Relay Output	Q1 .. Q4	120 VAC			10	A	min. 10,000 cycles
		230 VAC			5	A	
		30 VDC			3	A	
RS-232	RxD, TxD		-15		+15	V	
WiFi / WLAN	Operating Frequency		2412		2472	MHz	
	Tx Power	802.11n mode	12		14	dBm	
		802.11b mode	18.5		20.5	dBm	
Operating Temp.	Top.		-20		+50	°C	
Storage Temp.	Tstor.		-30		+80	°C	

EA PLCS43 - 4.3" Satellite

General

	Satellite 4.3"
Resolution	480x272x3
TFT Size	4.3" IPS
Setup	PCAP Touch Panel
Dimension	114x84x15.5 mm
Mount	Wall mount Panel mount
I/O	-
Interconnection	WiFi, RS-485, optionally Ethernet
Temp. Range	-20..+60°C
IP code	IP20
Supply Voltage	5-24V=
Display	IPS with PCAP, optically bonded

Electrical characteristics

Item	Symbol	Condition	Min	Typ	Max	Unit	Remark
Power Supply	VIN		4.5		30	V	DC
Power consumption	PWR	VIN= 24V		tbd		W	
WiFi / WLAN	Operating Frequency		2412		2472	MHz	
	Tx Power	802.11n mode	12		14	dBm	
		802.11b mode	18.5		20.5	dBm	
Operating Temp.	Top.		-20		+60	°C	
Storage Temp.	Tstor.		-30		+80	°C	