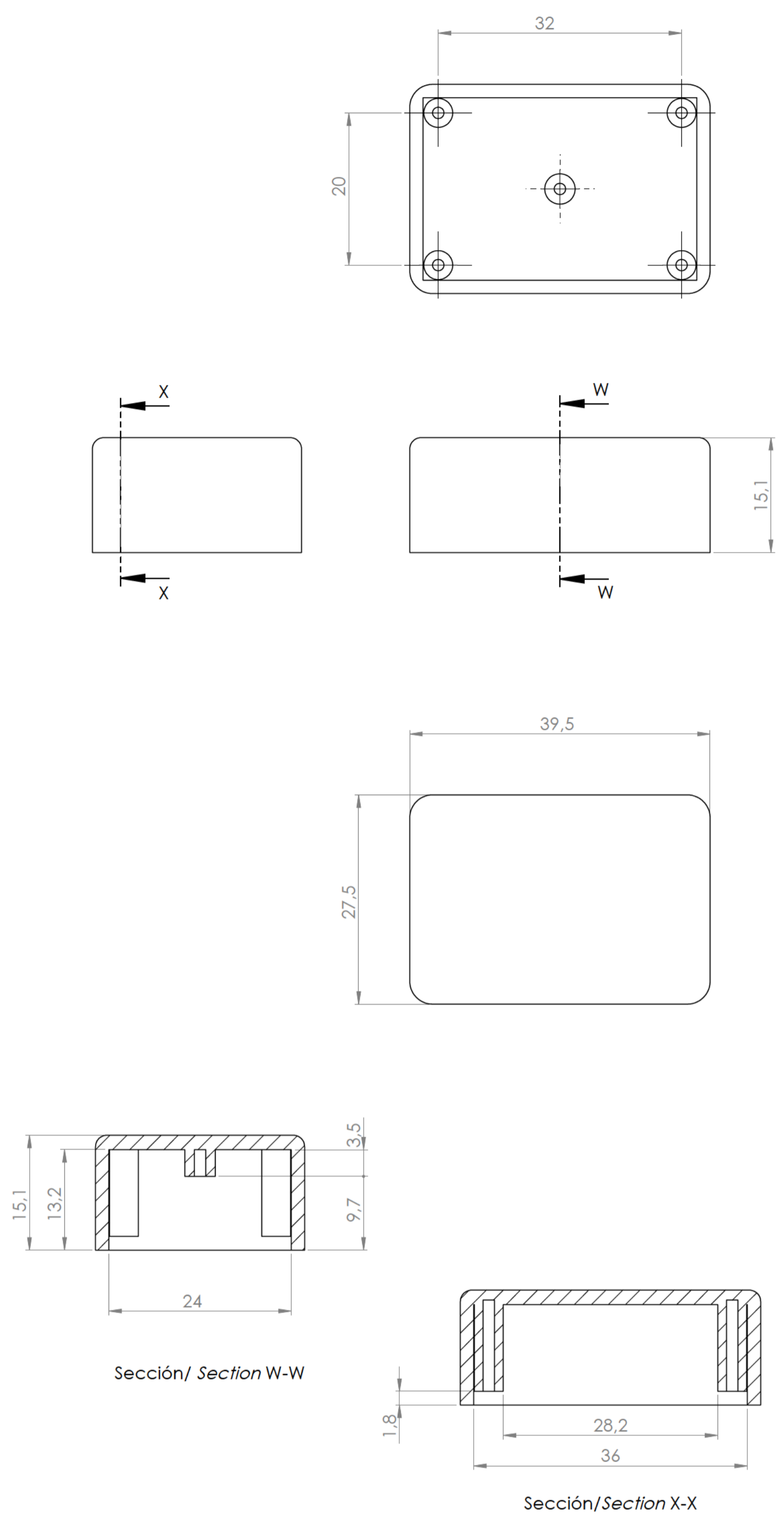
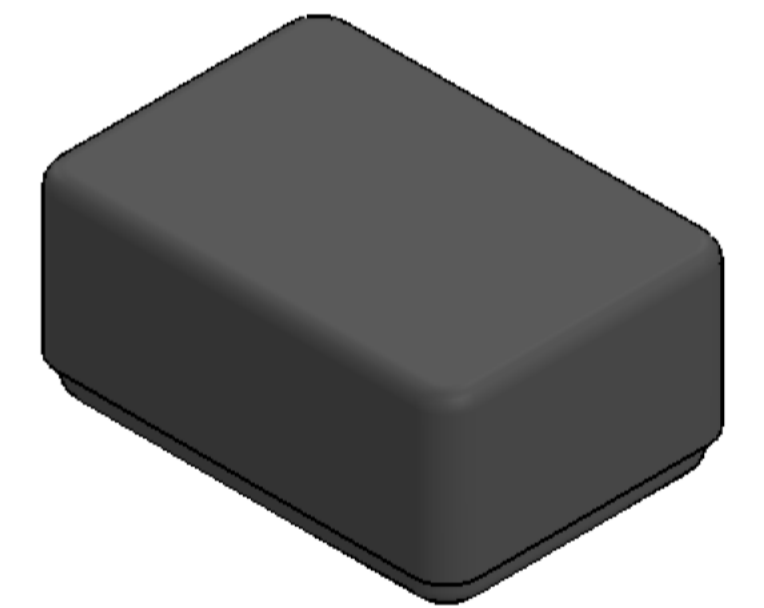
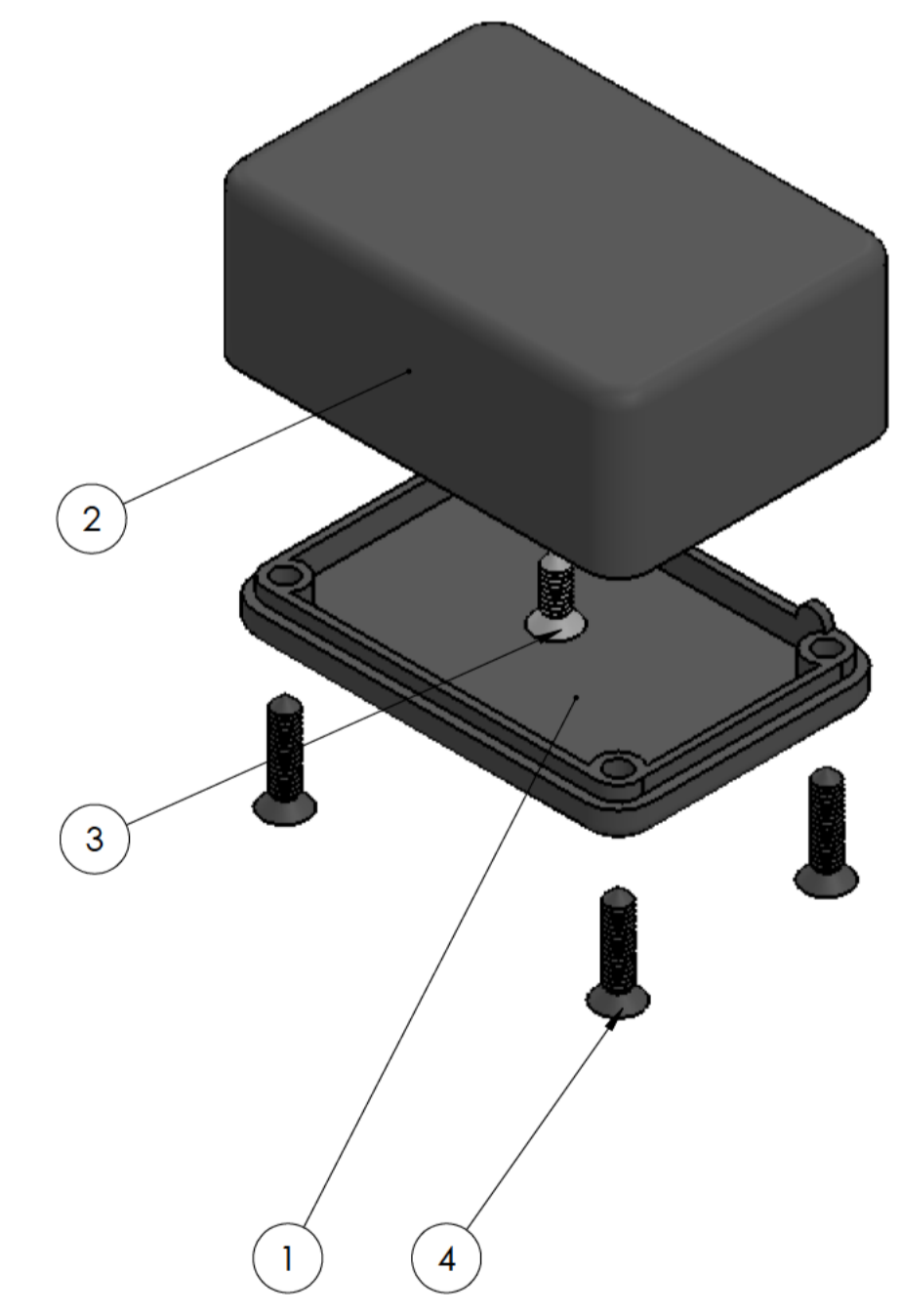
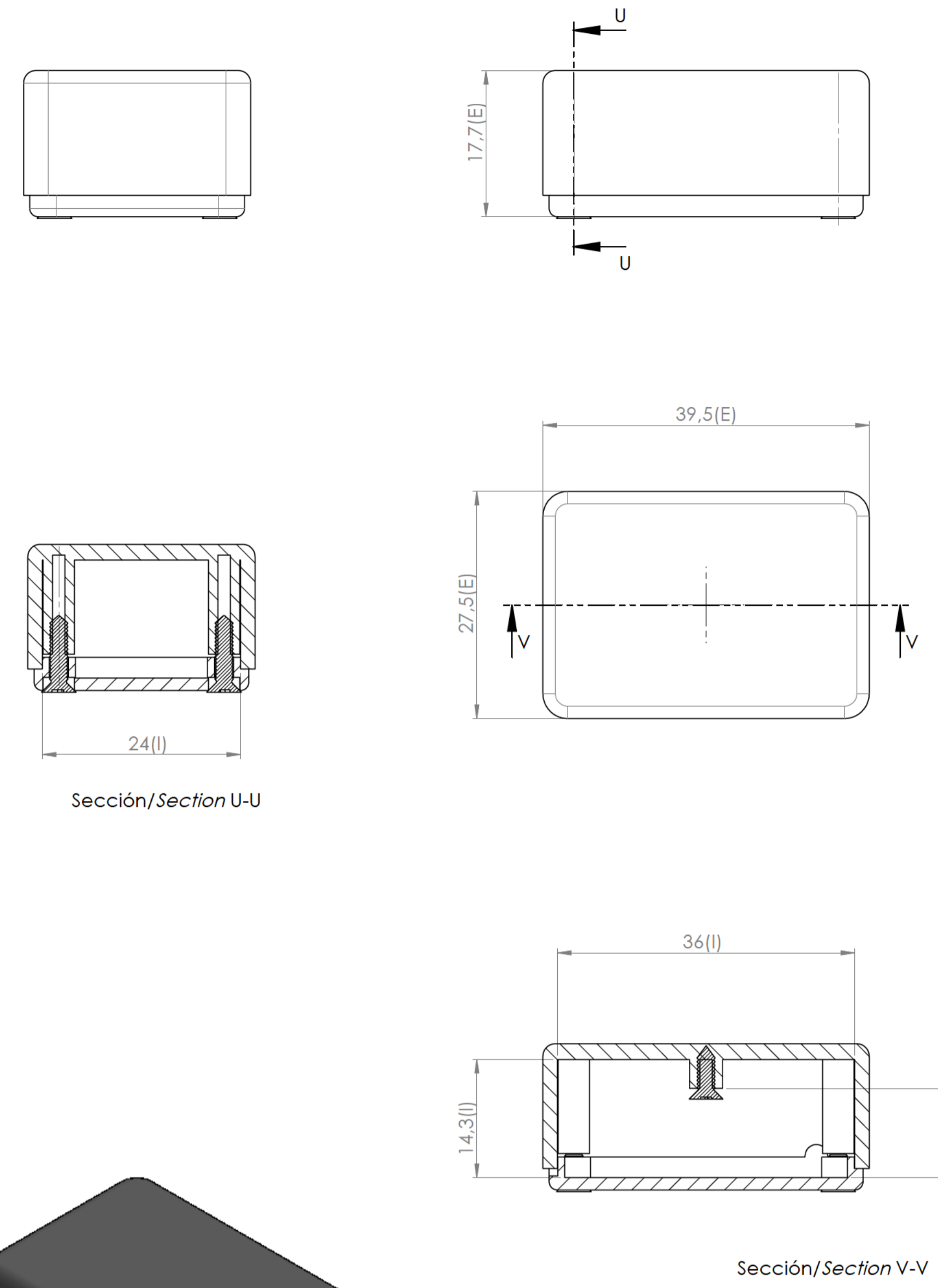


Cuerpo
Body



Tapa
Cover



Conjunto
Assembly

| Posición / Position | Descripción / Description | Referencia / Reference | Peso (gr) / Weight (gr) | Unidades / Units | Peso / Weight | Dimensiones exteriores / External dimensions | Material / Material | Acabado / Finish | Al copiar esta información no se actualizará. / Copy for information will not be updated | |
|---------------------|--------------------------------------|------------------------|-------------------------|------------------|---------------|--|------------------------|---------------------|--|-------|
| 1 | Cuerpo / Body | CPP85B | | 1 | 8.0g | 39.5 x 27 x 17.7 | ABS | Mate / Mat | Modelo / Model | PP85B |
| 2 | Tapa / Cover | TPP85B | | 1 | | Escala general / General scale | Tolerancia / Tolerance | Revisión / Revision | | |
| 3 | Tornillo 2.2 x 9.5 / Screw 2.2 x 9.5 | DIN7982 | | 4 | | 2.1 | ±1 | 00 | | |
| 4 | Tornillo 2.2 x 6.5 / Screw 2.2 x 6.5 | DIN7980 | | 1 | | | | | | |
| 5 | | | | | | | | | | |
| 6 | | | | | | | | | | |
| 7 | | | | | | | | | | |
| 8 | | | | | | | | | | |
| 9 | | | | | | | | | | |
| 10 | | | | | | | | | | |

| | | |
|---------------|--------------|--|
| Nombre / Name | Fecha / Date | Todas las cotas son en mm. / All dimensions are in mm. |
| Josep M | 21-06-2017 | A1 |



Este documento contiene información propiedad de SUPERTRONIC S.A. y es ofrecida en condiciones de uso informativo con la confianza que no será reproducida ni copiada en ningún caso. / This document contains proprietary information of SUPERTRONIC S.A. and is intended subject to the conditions that the information be retained in confidence not be reproduced or copied and not be used or incorporated in any product.