

# HITPOINT

TEL:8862-26013311

FAX:8862-26013898

NO.4 Lane 505, Zhongzheng Rd., Linkou Shiang, Taipei, Taiwan 24445 . R.O.C

## Piezo Siren PS-551DYQ

(ROHS)

DATE:2012-3-8

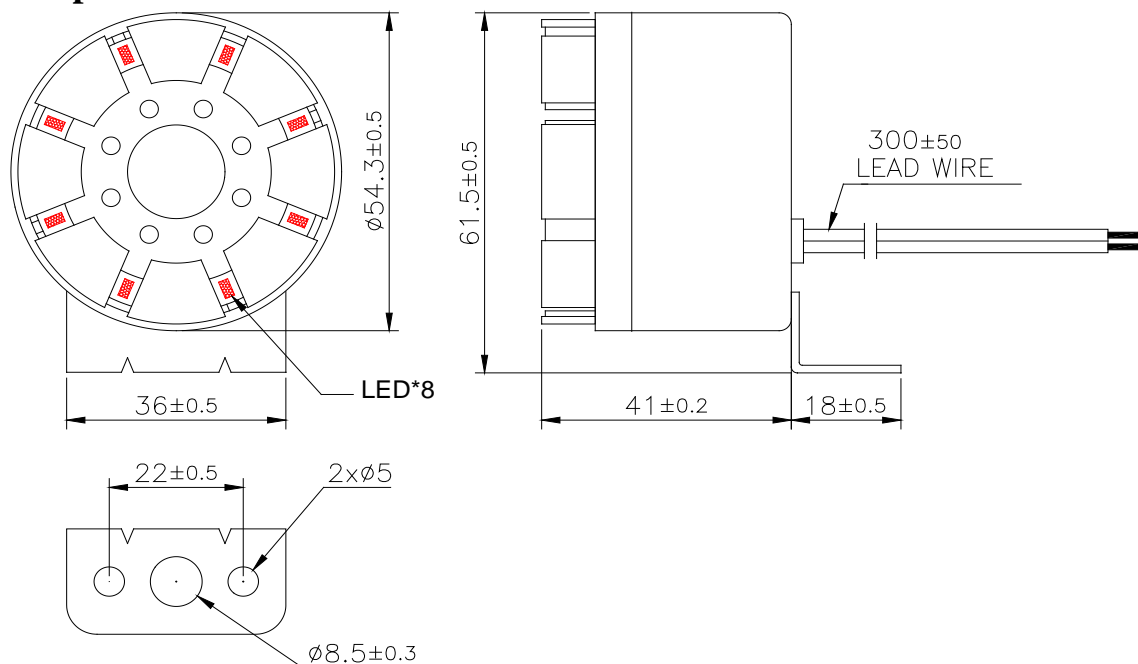
### 1 . Electrical Characteristics

VER :.0

Resonant Frequency (KHz)	2.8 ±0.5
Operating Voltage (Vdc)	5 ~ 15
Rated Voltage (Vdc)	12
Current Consumption (mA/max.)	200 at Rated Voltage
Sound Pressure Level (dB/min.)	105 at 100cm at Rated Voltage
Tone/Pulse Rate (Hz)	Pulse 1.2 ±20%
LED Colour	YELLOW
Operating Temperature (°C)	-20 ~ +70
Storage Temperature (°C)	-30 ~ +80

### 2 . Dimensions and Material

#### 2-1 Shape



Unit : mm



## 2-2 Material

Housing	ABS 757 UL94HB plastic resin (Color : Black)
Leading Wire	20 AWG
Weight (Gram)	78

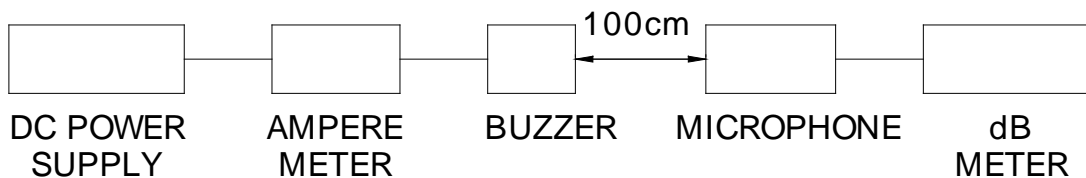
## 3. TESTING METHOD

### • *Standard Measurement conditions*

*Temperature:25±2℃ Humidity:45-60%*

### • *Acoustic Characteristics*

*The oscillation frequency, current consumption and sound pressure are measured by the measuring instruments shown below.*



NO.4 Lane 505, Zhongzheng Rd., Linkou Shiang, Taipei, Taiwan 24445 . R.O.C

## 4. RELIABILITY

<b>ITEMS</b>	<b>METHOD OF TEST AND MEASUREMENTS</b>	<b>PERFORMANCE</b>
<i>Coldness withstanding</i>	<i>After 98 hours of being exposed to -30℃ environment, should be returned to normal environment for 2 hours, then re-proceed to test.</i>	<i>No abnormality shall exist</i>
<i>Hotness withstanding</i>	<i>After 98 hours of being exposed to +80℃ environment, should be returned to normal environment for 2 hours, then re-proceed to test.</i>	<i>No abnormality shall exist</i>
<i>Humidity withstanding</i>	<i>After 98 hours of being exposed to 40℃ 95%RH environment in actual operation, should be returned to normal environment for 2 hours, then re-proceed to test.</i>	<i>No abnormality shall exist</i>
<i>Durability</i>	<i>10sec on/10sec off ; 1000hours(180000 cycles)</i>	<i>No abnormality shall exist</i>
<i>Vibration withstanding</i>	<i>Linear vibrate frequency rate: 5~55Hz Time:180sec , applied in X, Y and Z directions for 3 times each.</i>	<i>No abnormality shall exist</i>

## 5. PACKAGE METHOD

- <1> One inner box consists of 1pcs.
- <2> 180pcs of PS-551DQ are packed in a carton box. (L\*W\*H=520\*335\*290mm)
- <3> N . W . : 14KGS ; G . W . : 16KGS ;
- <4> RoHS Mark