

**PORTAFUSIBILI NON PROTETTI PER C.S.  
FUSEHOLDER BLOCKS FOR P.C.B.**

PORTE-FUSIBLES POUR C.I.

NICHT GESCHÜTZT SICHERUNGSHALTER FÜR L.P.

**PTF/18SMD**

**FUSIBILE TIPO**

**FUSE LINK**

TYPE FUSIBLE

SICHERUNGSTYP

5 x 20 mm

**MONTAGGIO**

**MOUNTING**

MONTAGE

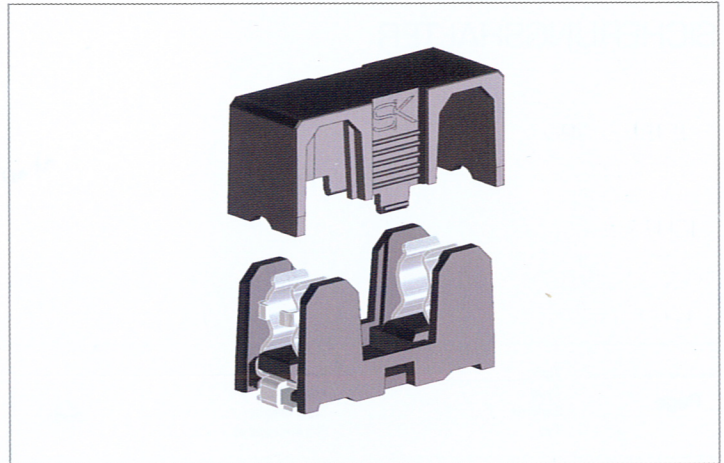
BEFESTIGUNG

**C.S.**

**P.C.B.**

**C.I.**

**L.P.**



|                                                    |                                                   |     |
|----------------------------------------------------|---------------------------------------------------|-----|
| <b>Corrente nominale</b><br>Courant nominal        | <b>Rated Current</b><br>Nominalstrom              | A   |
| <b>Tensione nominale</b><br>Tension nominale       | <b>Rated Voltage</b><br>Nominalspannung           | VAC |
| <b>Potenza dissipabile</b><br>Puissance dissipable | <b>Rated Power Acceptance</b><br>Ausgangsleistung | W   |

|  |     |
|--|-----|
|  | 10  |
|  | 250 |
|  | 4   |

|                                                                            |                                                                              |    |
|----------------------------------------------------------------------------|------------------------------------------------------------------------------|----|
| <b>Corpo isolante</b><br>Corps isolant                                     | <b>Housing</b><br>Isowerkörper                                               | —  |
| <b>Temperatura ambiente ammissibile</b><br>Température ambiante admissible | <b>Admissible ambient air temperature</b><br>Zugelassene Umgebungstemperatur | °C |
| <b>Protezione contro le scosse elettriche</b><br>Classe de protection      | <b>Shocksafe category</b><br>Schutz gegen elektrischen Schläge               | PC |
| <b>Grado di protezione</b><br>Degré de protection                          | <b>Degree of protection</b><br>Schutzgrad                                    | IP |
| <b>Resistenza di contatto</b><br>Résistance de contact                     | <b>Contact Resistance</b><br>Übergangswiderstand                             | mΩ |

|  |                        |
|--|------------------------|
|  | Thermoplastic UL 94V-0 |
|  | -30 °C to 85 °C        |
|  | PC1                    |
|  | IP00 / IP20            |
|  | < 5                    |

|  |  |  |
|--|--|--|
|  |  |  |
|  |  |  |
|  |  |  |
|  |  |  |
|  |  |  |

|  |  |
|--|--|
|  |  |
|  |  |
|  |  |
|  |  |
|  |  |

|                                            |                                          |       |
|--------------------------------------------|------------------------------------------|-------|
| <b>Colore standard</b><br>Couleur standard | <b>Standard colour</b><br>Standard Farbe | —     |
| <b>Altri colori</b><br>Autres couleurs     | <b>Other colours</b><br>Andere Farben    | —     |
| <b>Accessori</b><br>Accessoires            | <b>Accessories</b><br>Zubehör            | p. 42 |
| <b>Altri dati</b><br>Autres données        | <b>Other information</b><br>Andere Daten | p. 42 |

|  |                                                    |
|--|----------------------------------------------------|
|  | <b>nero - black</b><br>noir - Schwarz              |
|  | —                                                  |
|  | cappuccio / cover BS613<br>capuchon / Deckel BS613 |
|  | —                                                  |

