

QTC2 Series

1.2x2.0 SMD Tuning Fork



Features

- Low frequency in smallest size SMD
- Seam sealed ceramic package offers excellent environmental & heat resistance
- Extended temperature -40 to +85°C for industrial applications

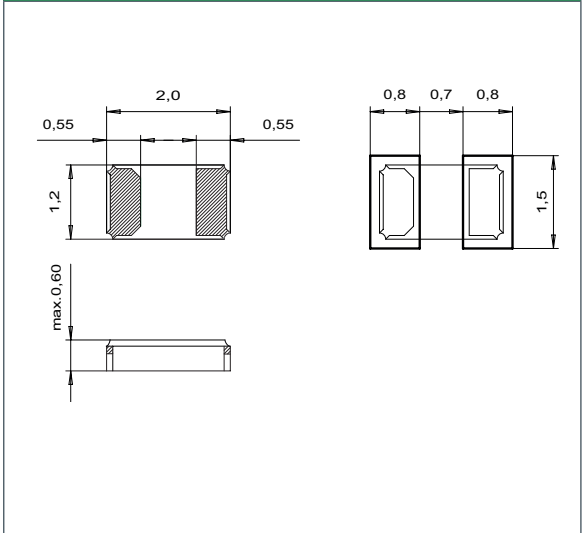
Applications

- Commercial and Industrial applications
- Wireless communications
- PDA and Smartphone
- Time of day applications

General Specifications

Nominal Frequency	32.768kHz
Frequency Tolerance at 25°C	±20ppm
Temperature Coefficient	-0.034 ± 0.008ppm/Δ °C ²
Temperature Range (Operating)	-40 to +85°C (-40 to +125°C available)
Storage Temperature	-55 to +125°C
Load Capacitance C _L	6pF, 7pF, 9pF, 12.5pF
Shunt Capacitance C ₀	1.2pF typ.
Motional Capacitance C ₁	4.0fF typ.
Equivalent Series Resistance (ESR)	70KΩ max.
Drive Level	0.5μW max.
Aging per Year	±3ppm max.
Insulation Resistance (M Ω)	500 at 100Vdc ±15Vdc
Quality Factor	70000 typ.
Capacitance Ratio	450 typ.

Mechanical Dimensions



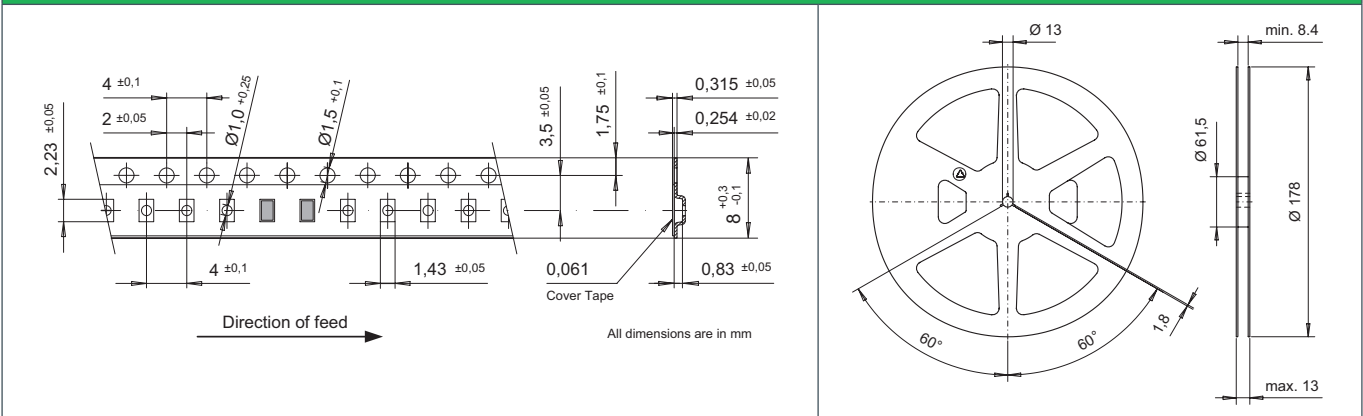
Part Numbering Guide

Qantek Code	Package	Nominal Frequency (in kHz)	Load Capacitance	Operating Temperature Range	Frequency Tolerance	Packaging
Q = Qantek	TC2 = 1.2x2.0 SMD Tuning Fork	32.768	06 = 6pF 07 = 7pF 09 = 9pF 12 = 12.5pF	B = -40 to +85°C D = -40 to +125°C	1 = ±10ppm 2 = ±20ppm	R = 3000pcs Tape&Reel

Example: QTC232.76812B2R

bold letters = recommended standard specification

Tape and Reel Dimensions



Marking Code Guide

Contains manufacturer code / lot code



QANTEK Technology Corporation

Phone: +1 877-227-0440 (tollfree)

Fax: +1 877-227-0440 (tollfree)

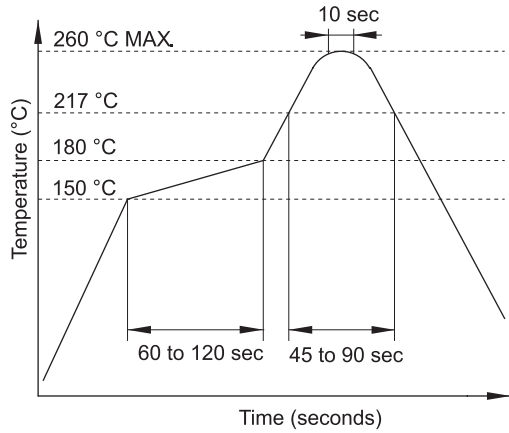
www.qantek.com

info@qantek.com

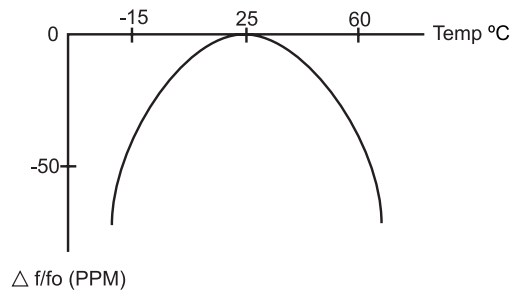
QTC2 Series

1.2x2.0 SMD Tuning Fork

Solder Reflow Profile



Frequency vs. Temperature Characteristics



To calculate the frequency stability the parabolic curvature constant (K) is needed.

For calculating the stability at 45°C:

1. Change in temperature (ΔT) is $(45-25) = +20^\circ\text{C}$
2. Change in frequency is $(-0.034 \times (\Delta^\circ\text{C})^2) = (-0.034 \times (20)^2) = -13.6\text{ppm}$

All specifications are subject to change without notice.



QANTEK Technology Corporation
Phone: +1 877-227-0440 (tollfree)
Fax: +1 877-227-0440 (tollfree)

www.qantek.com
info@qantek.com