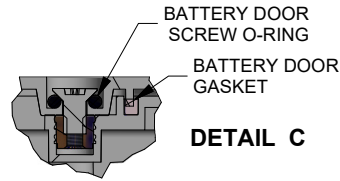
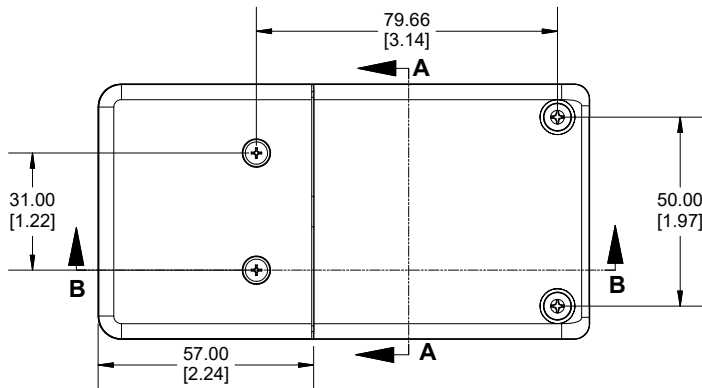
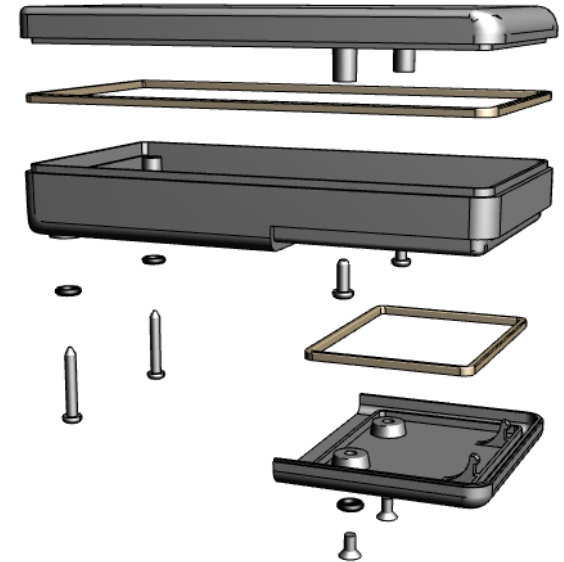


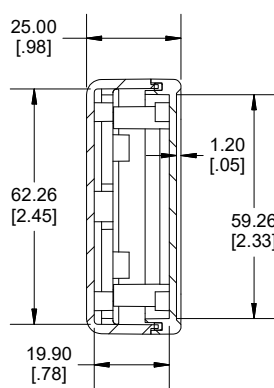
**TOP VIEW**



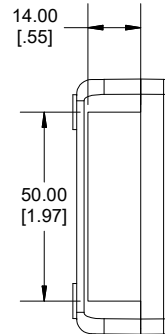
**DETAIL C**



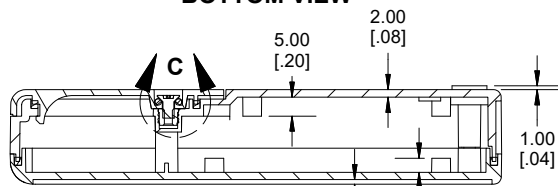
**BOTTOM VIEW**



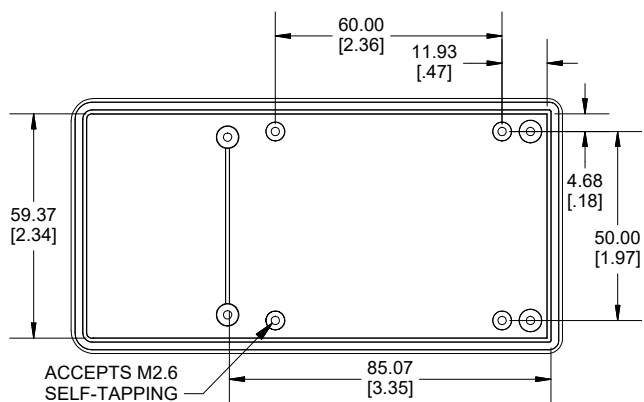
**SECTION A-A  
END VIEW**



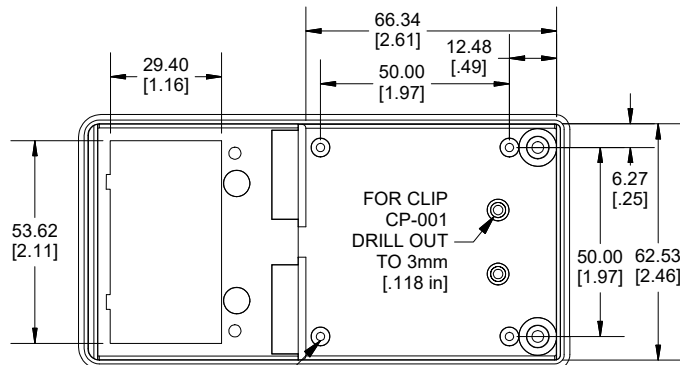
**END VIEW**



**SECTION B-B  
SIDE VIEW**



**INSIDE LID**



**INSIDE BOX**

Enclosures can be Factory Modified (Milling, Drilling, Printing etc.)  
Contact Factory ([modshop@hammfg.com](mailto:modshop@hammfg.com)) for quotes  
Solid models of this enclosure available in .stp or .x\_t  
(Part number and text placement/orientation on our products are subject to change,  
we do not recommend using them as a locating reference for modification purposes)

**NOTE**

Purchased assembly includes box, lid, 4 PCB screws, gasket,  
4 O-Rings, 2 battery door screws, battery door, and 4 lid screws.

Recommended Torque : (43-50) Ozf.in / (30-35) cN.m

RH Enclosure	
General Purpose ABS Light Grey (UL94 HB)	RH3005
General Purpose ABS Black (UL94 HB)	RH3001BK
ACCESSORIES	
Cover screws (M3 X 20mm) Self-Tapping	SC620-50 (50 Pkg)
(M3 X 8mm) Self-Tapping	SC623-50 (50 Pkg)
Battery Door Screw (M3-0.5 X 6mm)	SC615-50 (50 Pkg)
PCB Screw (M2.6 X 6mm Self-tapping)	SC519-50 (50 pkg)
2 String gasket (for box & battery door) and 8 screw O-rings	RH300 Gasket
Nylon Belt Clip Kit	CP-001BK CP-001G

**HAMMOND  
MANUFACTURING**

**RH3005**

[www.hammondmfg.com](http://www.hammondmfg.com)

**Dimensions:**  
mm  
[inches]