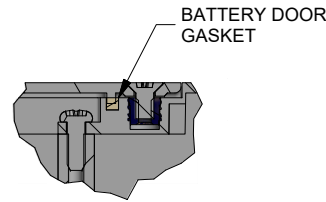
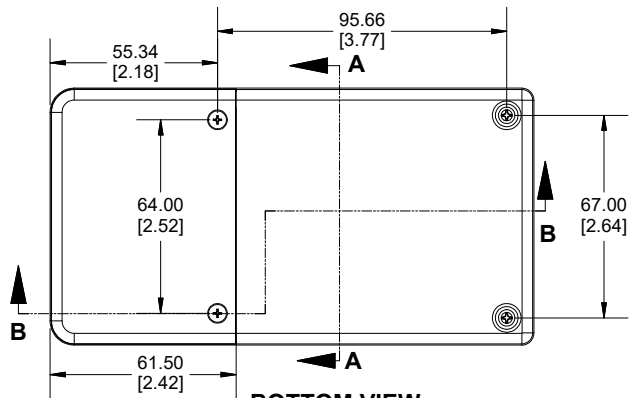
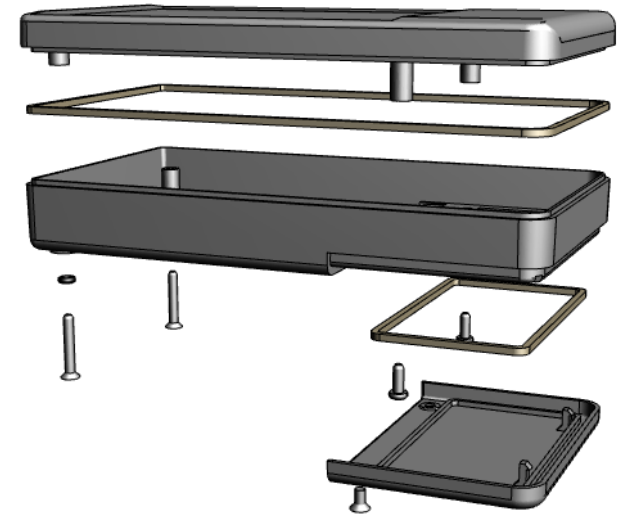


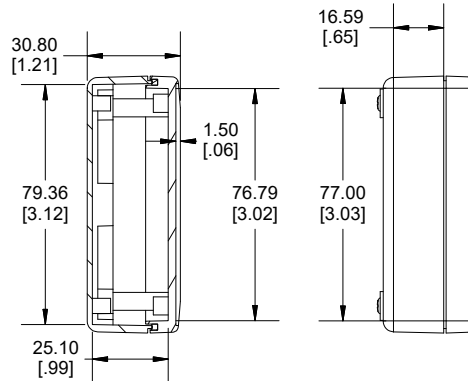
TOP VIEW



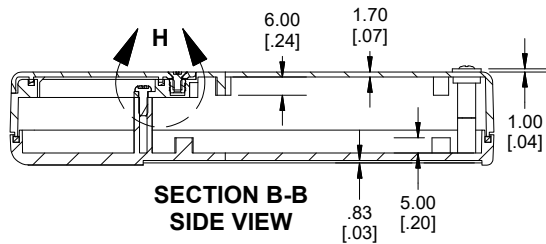
DETAIL H



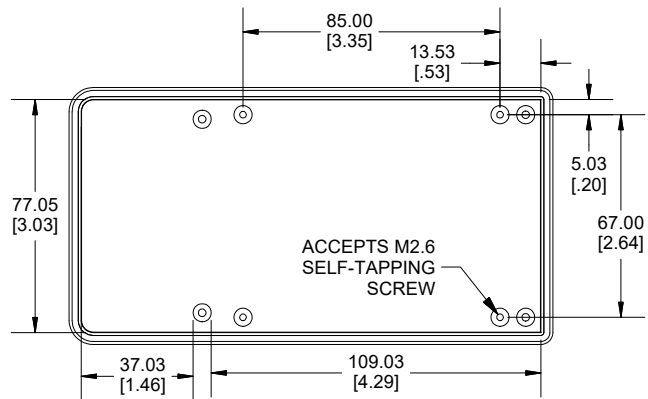
BOTTOM VIEW



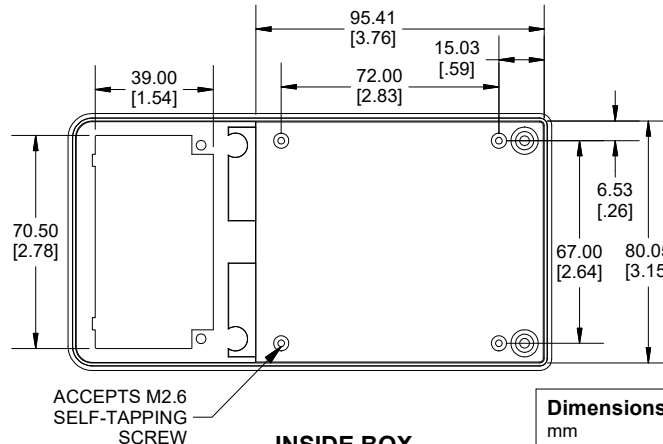
**SECTION A-A
END VIEW**



**SECTION B-B
SIDE VIEW**



INSIDE LID



INSIDE BOX

Dimensions:
mm
[inches]

Enclosures can be Factory Modified (Milling, Drilling, Printing etc.)
Contact Factory (modshop@hammfg.com) for quotes
Solid models of this enclosure available in .stp or .x_t
(Part number and text placement/orientation on our products are subject to change,
we do not recommend using them as a locating reference for modification purposes)

NOTE

Purchased assembly includes box, lid, 4 PCB screws, gasket,
2 O-Rings, 2 battery door screws, battery door, and 4 lid screws.
Recommended Torque : (43-50) Ozf.in / (30-35) cN.m

RH Enclosure	
General Purpose ABS Light Grey (UL94 HB)	RH3045
General Purpose ABS Black (UL94 HB)	RH3045BK
ACCESSORIES	
Cover screws (M3 X 25mm) Self-Tapping (M3 X 8mm) Self-Tapping	SC621-50 (50 Pkg) SC623-50 (50 Pkg)
Battery Door Screw (M3-0.5 X 6mm)	SC615-50 (50 Pkg)
PCB Screw (M2.6 X 6mm Self-tapping)	SC519-50 (50 pkg)
2 String gasket (for box & battery door) and 4 screw O-rings	RH304 Gasket
Nylon Belt Clip Kit	CP-001BK CP-001G

RH3045
www.hammondmfg.com