

SAL M8x1 SOCKETS

Nomenclature

S A L - 8 - F K 4 - 0,2 -

SAL
Sensor Actor Line

Installation size
8 = M8x1

Coding
= A-coding
B = B-coding

Building
F = Socket

Configuration
K = Female connector
S = Male connector

Assembly
= Frontmounting
H = Backmounting

Building
= Axial

Number of poles
3 = 3-pos
4 = 4-pos
5 = 5-pos
8 = 8-pos

Type of connection
XX = Length of wire [m]

Screw connection
= M8x0,5

SAL M8x1 SOCKETS

Products specification

Basic material	
Contact	CuZn
Contact plating	Nickel-plated, gold-plated
Contact carrier	TPU GF, UL 94 / PA6, UL94
Sealing	NBR
Counter nut	CuZn, nickel-plated
Socket housing	CuZn, nickel-plated
Grouting	Polyurethane-resin, UL 94

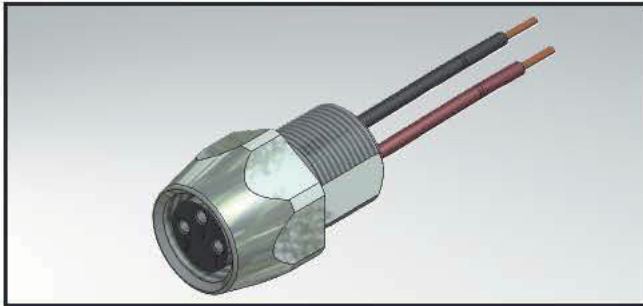
Technical Data	
Information on the following pages are basing on below mentioned IEC-standards.	
Rated voltage	IEC 61076-2-104
Current rating	IEC 61076-2-104
Insulation resistance	IEC 60512
Pollution degree	IEC 60664-1
Degree of protection	IEC 60529
Temperature range	IEC 60664-1
Mating cycles	IEC 60512-9a

Recommended torque: 0,6-0,8 Nm

Technical subject to change without notice.

SAL M8x1 CONNECTORS

Female socket with wire, frontmounting, M8x0,5-thread



RoHS compliant

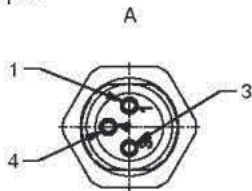
TECHNICAL DATA

Rated voltage	3-pos	4-pos	8-pos
	60V	30V	30V
Current rating	3A at +40°C (3- and 4-pos)		
	1,5A at +40°C (8-pos)		
Pollution degree	3 / 2		
Insulation resistance	≥ 100 MΩ		
Degree of protection	IP67 in mated condition		
Temperature range	-30°C to +80°C		
Mating cycles	≥ 100		

PRODUCT DRAWING

Pin Configuration

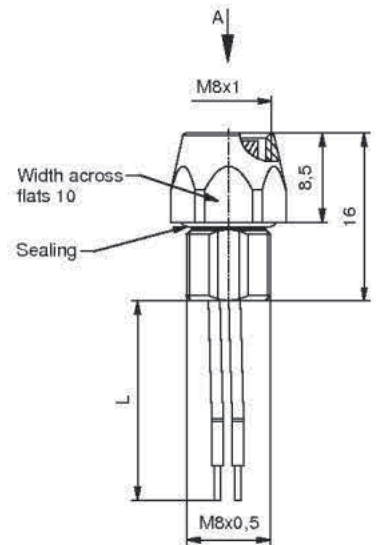
3-pos



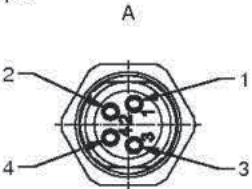
Contact Assignment

- 1) brown
- 2) white
- 3) blue
- 4) black

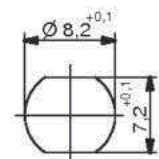
Dimension



4-pos

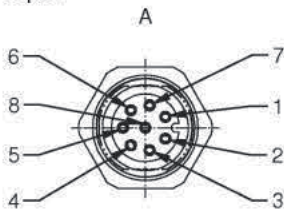


Cut-Out Front Panel



Minimum wall thickness 1,5mm, alternaty panel cut-out d=8,2

8-pos



- 1) white
- 2) brown
- 3) green
- 4) yellow
- 5) grey
- 6) pink
- 7) blue
- 8) red

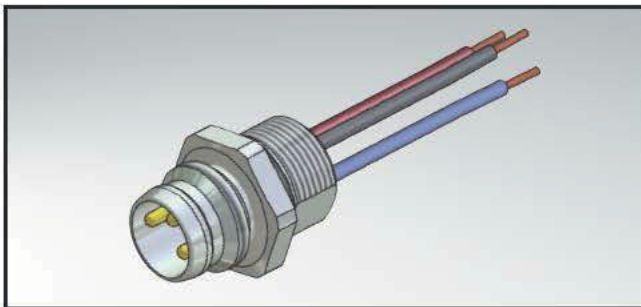
ORDER DATA

Wire	Length/L	Description	3-pos Part-no.	Description	4-pos Part-no.	Description	8-pos Part-no.
PVC, AWG24, UL	0,2m	SAL-8-FK3-0,2	42-01000	SAL-8-FK4-0,2	42-01001		
PVC, AWG26, UL	0,2m					SAL-8-FK8-0,2	42-01070

Accessories (hex nut) in section 9

SAL M8x1 CONNECTORS

Male socket with wire, frontmounting, M8x0,5-thread



RoHS compliant

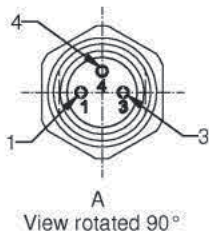
TECHNICAL DATA

Rated voltage	3-pos	4-pos
	60V	30V
Current rating	3A at +40°C	
Pollution degree	3 / 2	
Insulation resistance	≥ 100 MΩ	
Degree of protection	IP67 in mated condition	
Temperature range	-30°C to +80°C	
Mating cycles	≥ 100	

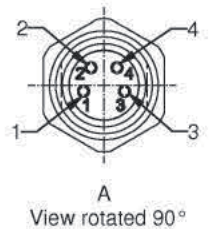
PRODUCT DRAWING

Pin Configuration

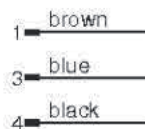
3-pos



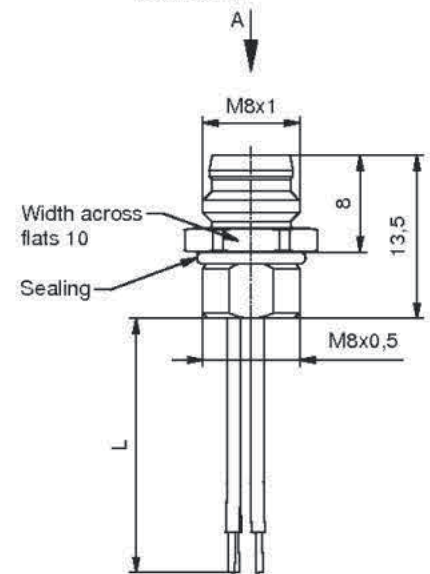
4-pos



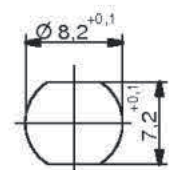
Contact Assignment



Dimension



Cut-Out Front Panel



Minimum wall thickness
1,5mm, alternativ panel
cut-out d=8,2

ORDER DATA

Wire	Length/L	Description	3-pos Part-no.	Description	4-pos Part-no.
PVC, AWG24, UL	0,2m	SAL-8-FS3-0,2	42-01032	SAL-8-FS4-0,2	42-01033

Accessories (hex nut) in section 9