

Think Life Enjoy Light

SELF

LED Power Supply 2023/2024

LED Power Supply 2023/2024

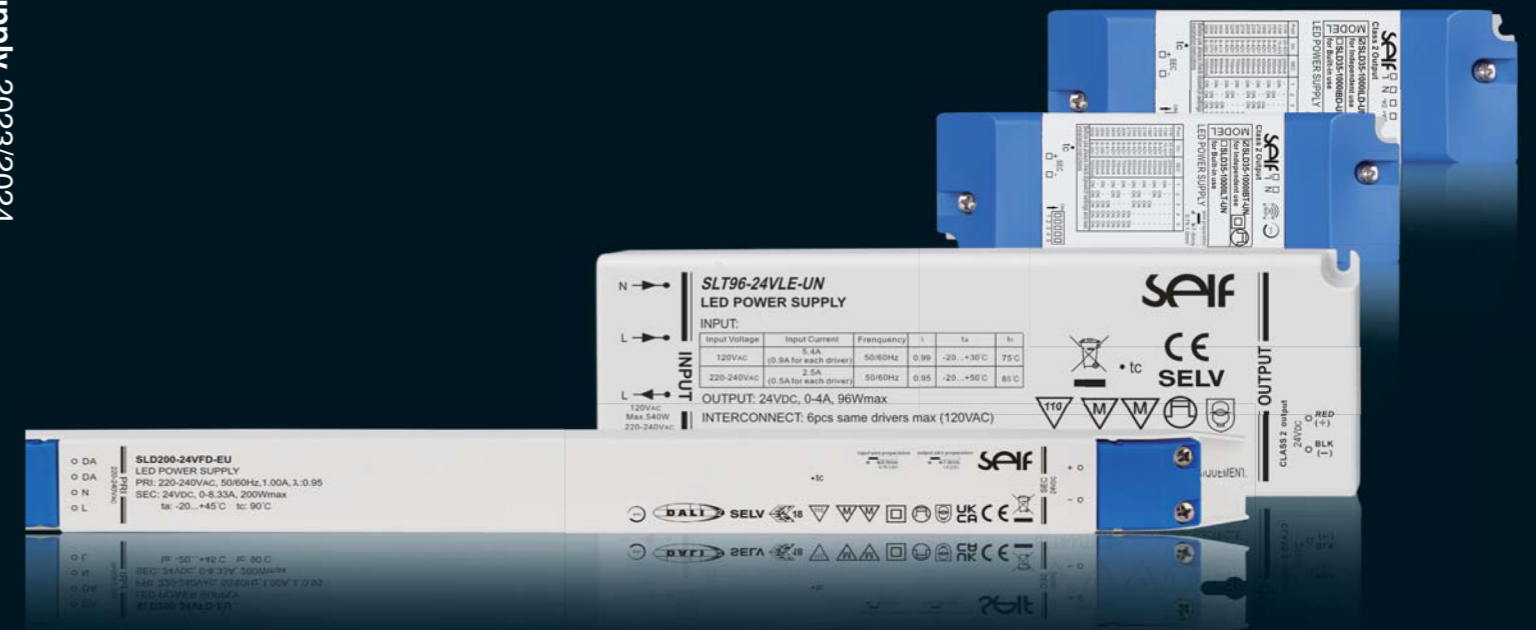
SELF Electronics Germany GmbH
August-Horch-Str. 7, 51149 Cologne
Phone: +492203-18501-0
Fax: 492203-18501-199
E-mail: saleseu@self-electronics.com

SELF Electronics Middle East DMCC
Add: Unit No 187 DMCC Business Centre Level No 8
Jewellery & Gemplex 2, Dubai, United Arab Emirates
Tel: +971-585930588
Email: salesme@self-electronics.com

SELF Electronics USA Corporation
Add: 3264 Saturn Ct, Peachtree Corners, GA 30092
Phone: +1-770-248-9023
Fax: +1-770-248-9028
E-mail: salesus@self-electronics.com

SELF Lighting Technology Pty Ltd.
Add: 31/3 Homelea Court, Rivervale, WA, 6103
Phone: +61-416868998
E-mail: Lexi.xu@self-electronics.com

SELF Electronics Co., Ltd. (Headquarters)
Add: No. 1345 JuXian Road, Ningbo Hi Tech Park, Ningbo, China 315103
Phone: +86-574-2880-5765, +86-574-2880-5658 (for English assistance)
+86-574-2880-5678 (for Chinese assistance)
Fax: +86-574-28805656
E-mail: sales@self-electronics.com
<http://www.self-electronics.com>





The story of three pine trees

In the west of the SELF new plant standing three pines: "We, plain but of a unique style, remain calm and not disturbed after the relocation. We, together with SELF people, witness the transformation after the raging storms!"

SELF has been relocated three times since 1993, during the time the three pines have grown into towering trees. The character of "people" in Chinese means supporting each other, means weathering the storm together. "Cold and heat cannot shake our faith, time and tide cannot defeat us", this is the quality of both pine trees and SELF Electronics. Although the market is unpredictable, the difficulties happened to us again and again, we will never stop chasing a brilliant future.....



PINE-LIKE STAFF

Important marks



German VDE institute safety test mark



German VDE institute EMC test mark



Intertek SEMKO institute safety test mark



Intertek EMC mark



Compulsory Certification
(safety and EMC for China)



ENEC mark



RCM mark (for Australia)



Standards Association of Australian



UL listed mark (for USA and Canada)



Intertek ETL mark (for USA and Canada)



UL Recognized mark for components
(for USA & Canada)



CE mark of conformity



Mark for converters suitable for integration into furniture whose flammability is unknown



The lamp controlgear case temperature at any place shall not exceed the marked value 110 deg. and luminaries suitable for direct mounting on normally flammable surfaces



International mark for protection II



International mark for independent converter



International mark for protection II (built-in converter)



International mark for transformers of converters (safety extra-low voltage)

Symbols



2.5 generation protection



IP Rating



DALI2 mark



Deep-in dimmable down to 0.1%



High ta 60°C

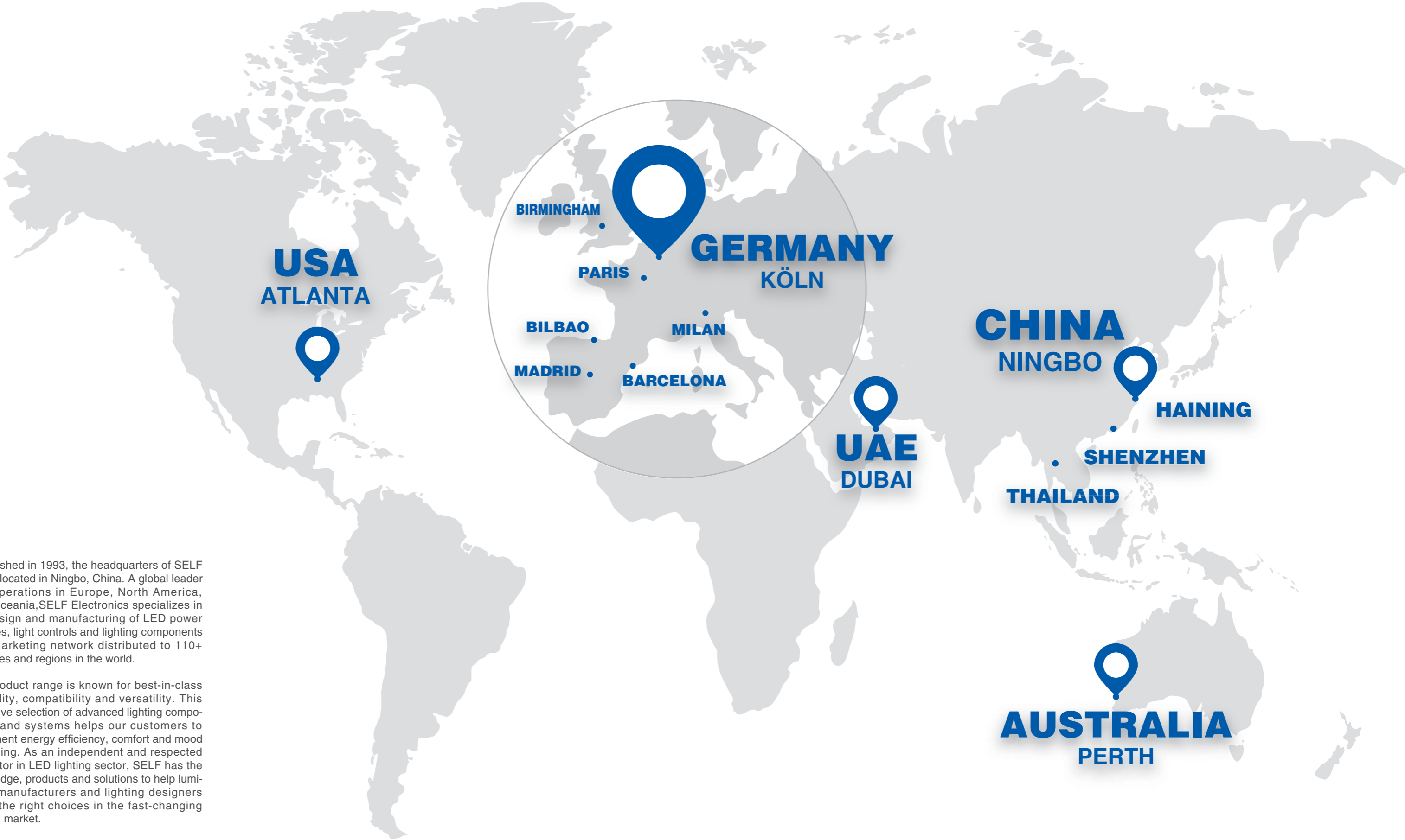


BLE (Bluetooth Low Energy-base) Mesh network

Test standard for electronic control gear

EN60598	Luminaires: General requirements and tests	UL 8750	LED equipment for use in lighting products
EN61347-1	Control gear: General safety requirements	UL 1310	Class 2 power units
EN61347-2-11	Lamp controlgear. Particular requirements for miscellaneous electronic circuits used with luminaires	FCC18A	EMC requirements of Federal Communications Commission for industrial equipment
EN61347-2-13	Particular requirements for d.c.or a.c.supplied electronic control gear for LED modules	FCC15	EMC requirements of Federal Communications Commission
EN62493	Assessment of lighting equipment related to human exposure to electromagnetic fields	EN50172	Emergency escape lighting systems
EN60335	Household and similar electrical appliances	EN60598-2-22	Luminaires. Particular requirements. Luminaires for emergency lighting
EN60335-2-89	Particular requirements for commercial refrigerating appliance		
EN60335-2-24	Particular requirements for refrigerating appliance , ice-cream appliance and ice makers		
EN55015	Limits and methods of measurements of radio disturbance characteristics of lights		
EN61547	EMC immunity requirements on equipment for lighting purposes		
EN61000-3-2	Limits for harmonic current emissions		
EN61000-3-3	Limits of voltage fluctuations and flicker		
ERP2019/2020	Ecodesign requirements for directional lamps, light emitting diode lamps and related equipment		
IEC62386	Digital addressable lighting interface		

About us



Established in 1993, the headquarters of SELF Group located in Ningbo, China. A global leader with operations in Europe, North America, Asia, Oceania, SELF Electronics specializes in the design and manufacturing of LED power supplies, light controls and lighting components with marketing network distributed to 110+ countries and regions in the world.

Our product range is known for best-in-class reliability, compatibility and versatility. This extensive selection of advanced lighting components and systems helps our customers to implement energy efficiency, comfort and mood in lighting. As an independent and respected innovator in LED lighting sector, SELF has the knowledge, products and solutions to help luminaire manufacturers and lighting designers make the right choices in the fast-changing lighting market.



SELF Electronics Manufacture Base (Ningbo, China)



SELF Electronics Germany GmbH (Cologne, Germany)



SELF Electronics Middle East DMCC(Dubai, UAE)



SELF Electronics USA Corporation (Atlanta GA, United States)

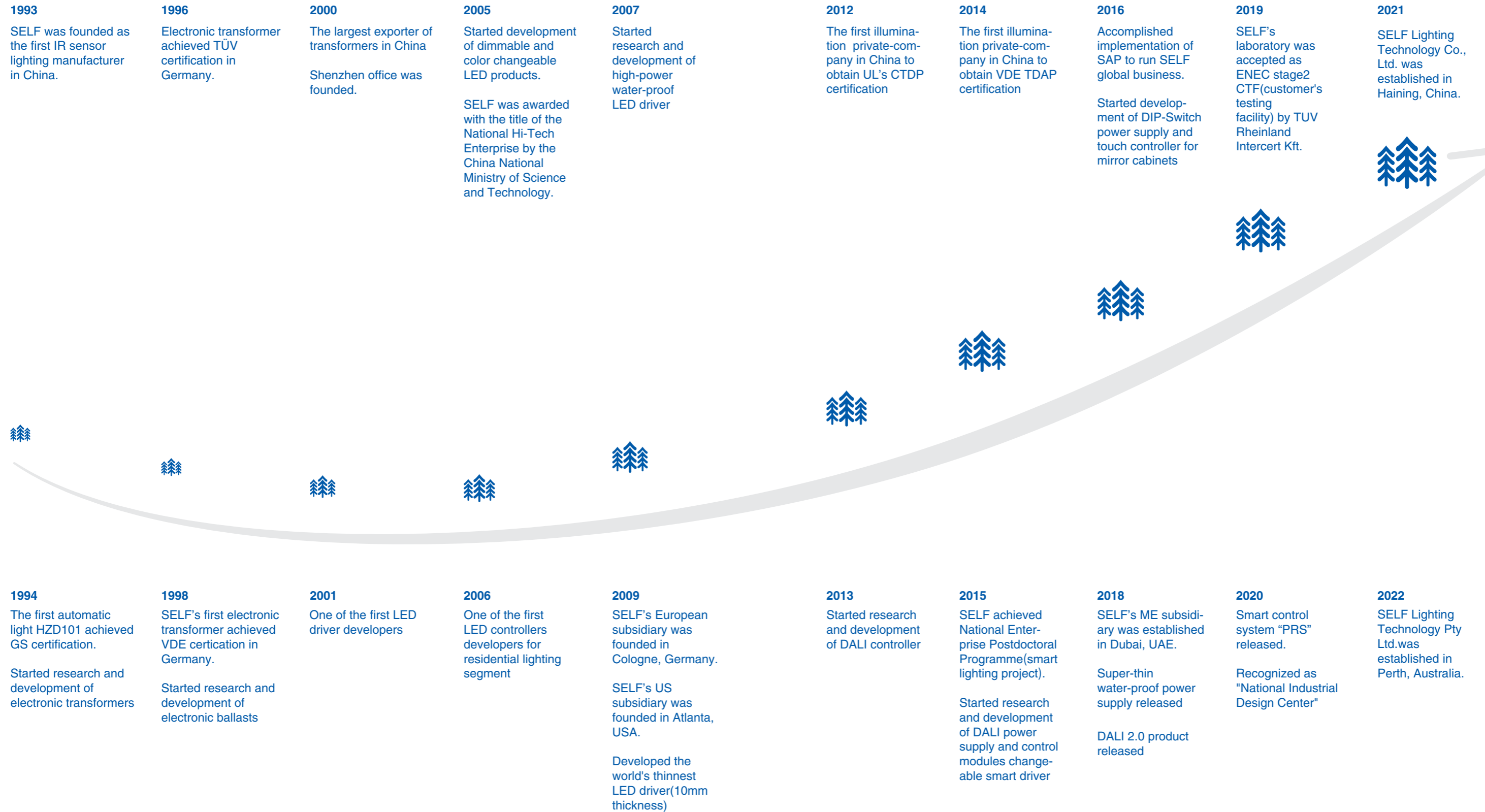


SELF Lighting Technology (Haining, China)



SELF Lighting Technology Pty Ltd.(Perth, Australia)

Road of innovation



Core competence

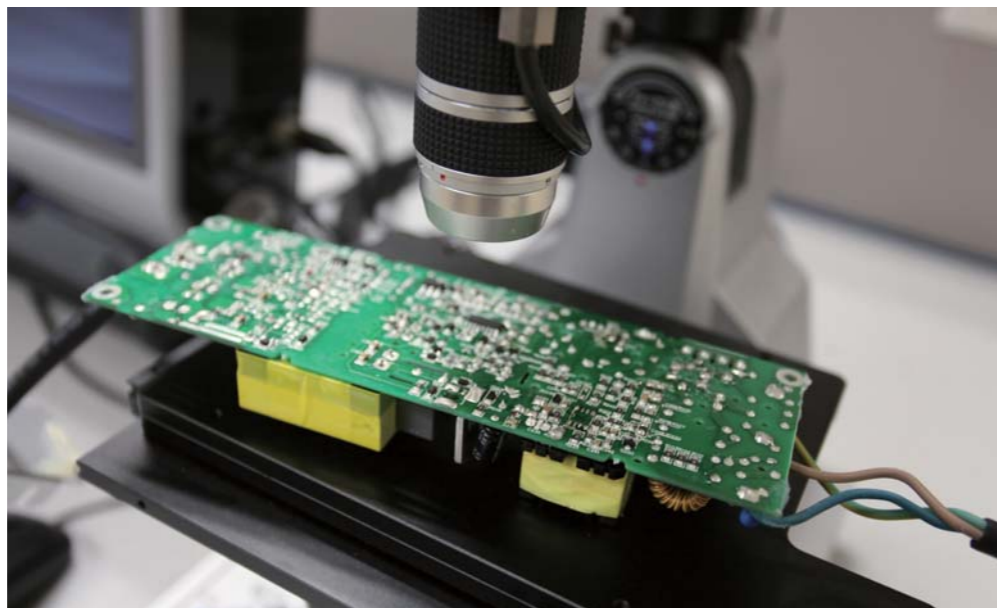
Research and development

Self is an independent company with a strong R&D team, including electronic, mechanical, optical, and thermal engineers.

650+ Authorized patents for inventions 270+

90+ Mechanical, electronics, optics, heat, standard, test engineers

10%+ Annual sales revenue dedicated to R&D

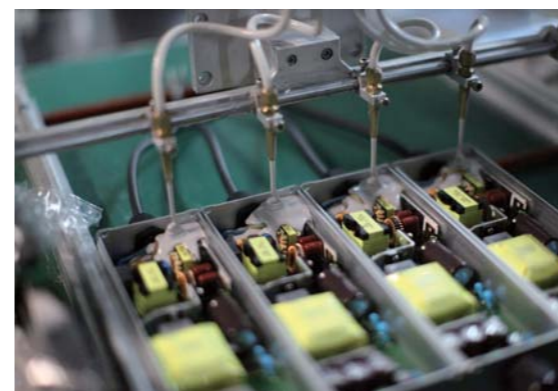
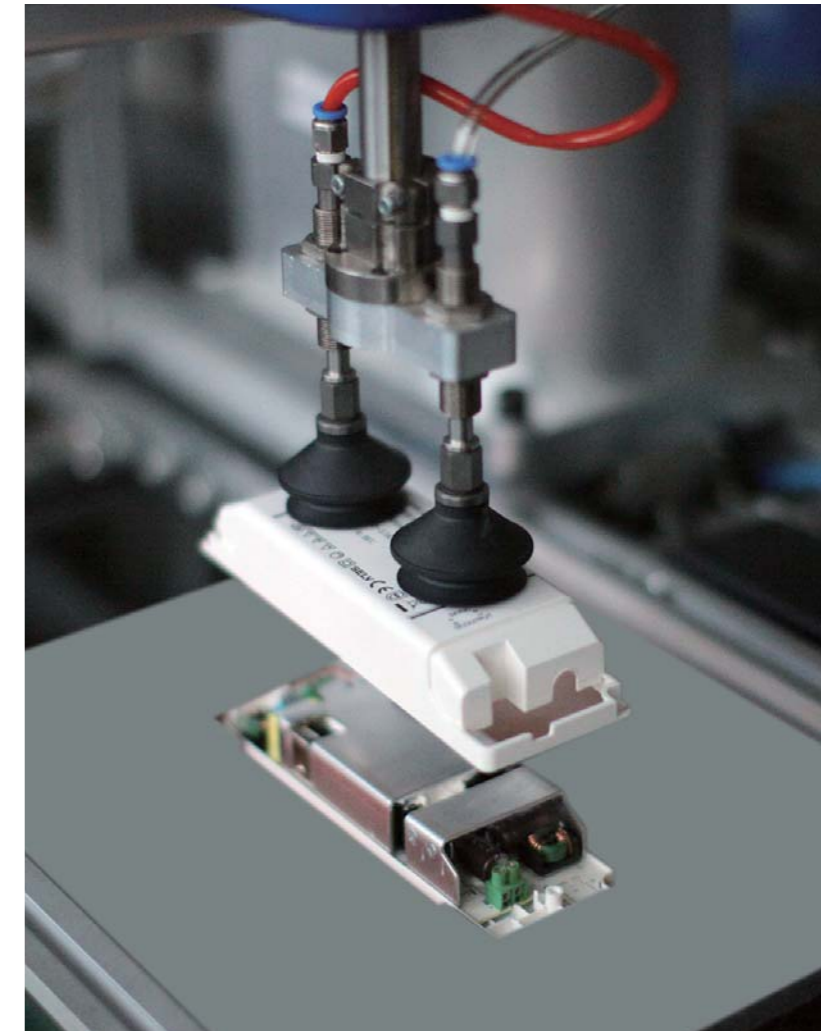


Production management

SELF's automated production factory floor area of more than 58,000 m² has 7 intelligent production lines(power supply & lamp), 7 Auto Guided Vehicles, 4 automated stereoscopic warehouses, 4 automated wave-soldering lines and 8 SMT lines. ERP/MES production process system manage orders from placement to fulfillment, ensuring prompt production and delivery.

58000m² Automated production workshop.

SAP/MES Production process management.



Testing facilities

SELF's testing facility resources include a talented staff of senior testing engineers as well as advanced testing equipment. SELF uses its state-of-the-art testing facilities to ensure products comply with international standards.

SELF's testing laboratory has obtained UL's CTDTP (Client Test Data Program) certification and VDE's TDAP (Test Data Acceptance Program) certification for both LED power supply and LED lighting fixtures; accredited by CNAS(China National Accreditation Service for Conformity Assessment) for the competence of its testing and calibration laboratory; and accepted as ENEC stage2 CTF(customer's testing facility) by TÜV Rheinland Intercert Kft.



Quality

The SELF Quality Control department strives to maintain the highest level of production by performing 100% on-line inspections.



LED Power Supply

Ultrathin Series

Fix



Under development

SLT30-12VFG-EU
SLT30-24VFG-EU
19

SLT30-12VFG
SLT30-24VFG
20

SLT60-12VFG-UN
SLT60-24VFG-UN
SLT60-48VFG-UN
21

SLT75-12VFG
SLT75-24VFG
22



SLT100-12VFG
SLT100-24VFG-UN
SLT100-48VFG-UN
23

SLT150-24VFG-UN
SLT150-48VFG-UN
24

SLT200-24VFG-UN
SLT200-48VFG-UN
25

SLT250-24VFG-EU
SLT250-48VFG-EU
26



NEW

SLT75-24VFE-UN
SLT75-48VFE-UN
27

NEW

SLT96-24VFE-UN
SLT96-48VFE-UN
28

NEW

SLT150-24VFE-EU
SLT150-48VFE-EU
29

NEW

SLT200-24VFE-EU
SLT200-48VFE-EU
30

DALI2



NEW

SLD75-24VFD-EU
SLD75-48VFD-EU
SLD100-24VFD-EU
SLD100-48VFD-EU
31

NEW

SLD150-24VFD-EU
SLD150-48VFD-EU
32

NEW

SLD200-24VFD-EU
SLD200-48VFD-EU
32

Metal slim Series

Fix



IP66/67

SLT30-12VFC-UN
SLT30-24VFC-UN
34

IP66/67

SLT75-12VFC-UN
SLT75-24VFC-UN
35

IP66/67

SLT100-24VFC-UN
36

IP66/67

SLT96-12VLC-UN
SLT96-24VLC-UN
37

0/1-10V



Under development

IP66/67

SLD96-24VCA-UN
38

Loop Series

Fix



NEW

SLT75-24VLE-UN
SLT75-48VLE-UN
41

NEW

SLT96-24VLE-UN
SLT96-48VLE-UN
42

NEW

SLT150-24VLE-EU
SLT150-48VLE-EU
43

NEW

SLT200-24VLE-EU
SLT200-48VLE-EU
44

Classic Series

Fix



NEW

SLT20-12VFC-1
SLT20-24VFC-1
46

SLT30-12VLG-Es
SLT30-24VLG-Es
SLT30-48VLG-Es
47

SLT60-12VLG-E
SLT60-24VLG-E
48

SLT75-24VL-2
49

SLT75-24VL-E
50



NEW

SLT80-12VLG-EU
SLT80-24VLG-EU
51

NEW

SLT100-24VLG-E
52

SLT150-24VLG-E
SLT150-48VLG-E
53

SLT250-24VLG-E
SLT250-48VLG-E
54

High-Adaptability Triac



SLD15-24VL-E
55

SLD30-12VL-E
SLD30-24VL-E
56

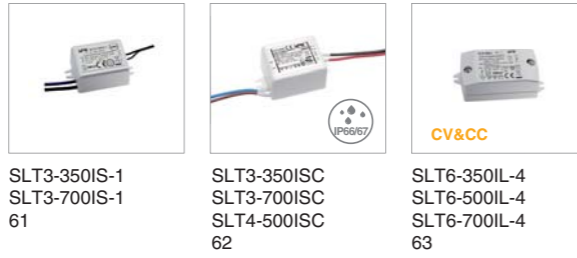
SLD75-12VL-E
SLD75-24VL-E
57

SLD120-24VL-E
58

LED Power Supply

Basic Series

Fix



SLT3-350IS-1
SLT3-700IS-1
61

SLT3-350ISC
SLT3-700ISC
SLT4-500ISC
62

SLT6-350IL-4
SLT6-500IL-4
SLT6-700IL-4
63



SLT15-12VF-2S
SLT15-24VF-2S
64

SLT20-12VF-2S
SLT20-24VF-2S
65

SLT20-350IF-2S
SLT20-700IF-2S
66

High Ta Series

Fix

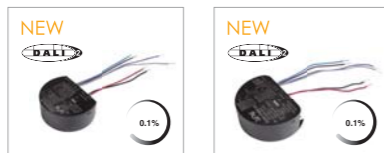


SLT16-400IB-EU1
SLT18-450IB-EU1
SLT21-500IB-EU1
SLT22-550IB-EU1
SLT24-600IB-EU1
SLT26-650IB-EU1
SLT28-700IB-EU1
SLT30-750IB-EU1
SLT32-800IB-EU
SLT34-850IB-EU
SLT36-900IB-EU
SLT38-950IB-EU
SLT40-1000IB-EU
SLT42-1050IB-EU
SLT44-1150IB-EU
SLT43-1100IB-EU
68

SLT23-600IB-UN
69

SLT45-1150IB-UN
69

DALI2



SLD23-600IBD-UN
70

SLD45-1150IBD-UN
70

Compact Series

Fix



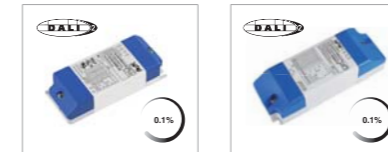
SLT20-500IB-UN
SLT20-500IL-UN
72

SLT25-600IB-E
SLT25-600IL-E
73

SLT35-1000IB-UN
SLT35-1000IL-UN
74

SLT45-1050IB-E
SLT45-1050IL-E
75

DALI2



SLD20-500IBD-UN
SLD20-500ILD-UN
76

SLD35-1000IBD-UN
SLD35-1000ILD-UN
77

0/1-10V



SLD20-500IBA-UN1
SLD20-500ILA-UN1
78

SLD35-1000IBA-UN1
SLD35-1000ILA-UN1
79

Triac



SLD8-350IB(L)-Es
80

SLD15-300IB(L)-Es
SLD15-350IB(L)-Es
SLD15-500IB(L)-Es
SLD15-700IB(L)-ES
81

SLD20-350IL-Es
SLD20-500IL-Es
SLD20-700IL-Es
82

Bluetooth Mesh Series

Dip switch



SLD35-1000IBT/LT-UN
84

Ultrathin Series Fix/DALI2



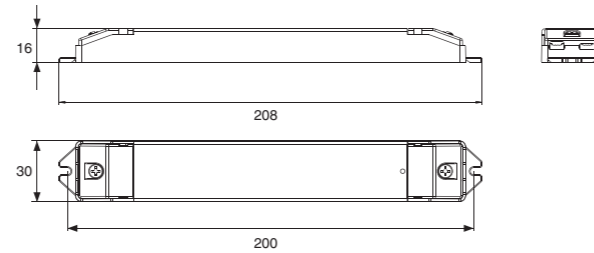
Ultrathin Series

Fix

SLT30-12/24VFG-EU



Dimensions: (mm)



- Independent power supply for constant voltage LED lamp
- Class II protection against electric shock from direct and indirect contact
- Start-up time $\leq 0.5s$
- No load power consumption $\leq 0.5W$
- Open circuit, short circuit, over load and over temperature protection
- Auto restart after removal of fault conditions
- Warranty : 5 Years

Specifications

Model	Rated input	PF	Output	Output Power range	Output voltage range	Tolerance	Efficiency	ta	tc	Size	Approval
SLT30-12VFG-EU	AC220-240V	0.95	12VDC	0-30W	-	+/-3%	86.0%	-20-50°C	90°C	208x30x16mm	CE pending
SLT30-24VFG-EU	AC220-240V	0.95	24VDC	0-30W	-	+/-3%	87.0%	-20-50°C	90°C	208x30x16mm	CE pending

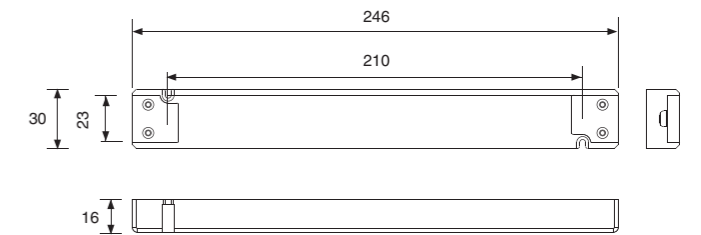
Ultrathin Series

Fix

SLT30-12/24VFG



Dimensions: (mm)



- Independent power supply for constant voltage LED lamp
- Class II protection against electric shock from direct and indirect contact
- Start-up time $\leq 0.5s$
- No load power consumption $\leq 0.5W$
- Open circuit, short circuit, over load and over temperature protection
- Auto restart after removal of fault conditions
- Warranty : 5 Years

Specifications

Model	Rated input	PF	Output	Output Power range	Output voltage range	Tolerance	Efficiency	ta	tc	Size	Approval
SLT30-12VFG	AC220-240V	0.95	12VDC	0-30W	-	+/-5%	83.5%	-20-50°C	85°C	246x30x16mm	CE Intertek
SLT30-24VFG	AC220-240V	0.95	24VDC	0-30W	-	+/-5%	84.5%	-20-50°C	85°C	246x30x16mm	CE Intertek

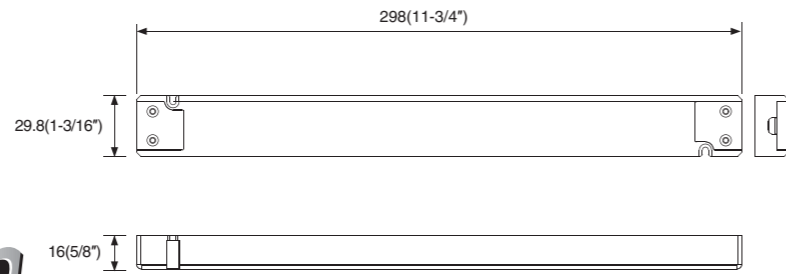
Ultrathin Series

Fix

SLT60-12/24/48VFG-UN



Dimensions: (mm/inch)



Ultra thin 16mm
Thickness only



- Independent power supply for constant voltage LED lamp
- Class II protection against electric shock from direct and indirect contact
- Start-up time $\leq 0.5s$
- No load power consumption $\leq 0.5W$
- Open circuit, short circuit, over load and over temperature protection
- Auto restart after removal of fault condition (except OTP)
- Warranty : 5 Years

Specifications

Model	Rated input	PF	Output	Output Power range	Output voltage range	Tolerance	Efficiency	ta	tc	Size	Approval
SLT60-12VFG-UN	AC120-240V	0.95	12VDC	0-60W	-	+/-5%	91.1%	-20-45°C	90°C	298x29.8x16mm (11-3/4"x1-3/16"x5/8")	CE, SELV, UL
SLT60-24VFG-UN	AC120-240V	0.95	24VDC	0-60W	-	+/-5%	91.6%	-20-45°C	90°C	298x29.8x16mm (11-3/4"x1-3/16"x5/8")	CE, SELV, UL
SLT60-48VFG-UN	AC120-240V	0.95	48VDC	0-60W	-	+/-3%	91.0%	-20-45°C	90°C	298x29.8x16mm (11-3/4"x1-3/16"x5/8")	CE, SELV, UL

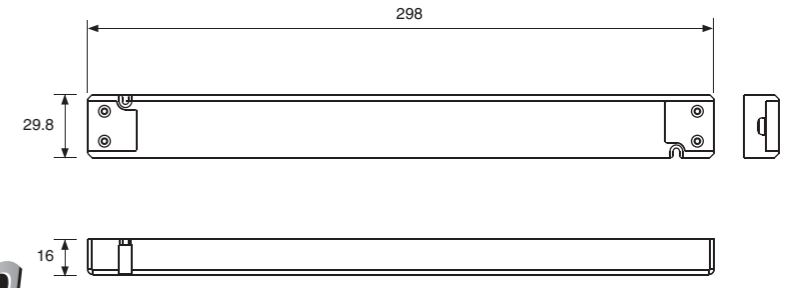
Ultrathin Series

Fix

SLT75-12/24VFG



Dimensions: (mm)



Ultra thin 16mm
Thickness only



- Independent power supply for constant voltage LED lamp
- Class II protection against electric shock from direct and indirect contact
- Start-up time $\leq 0.5s$
- No load power consumption $\leq 0.5W$
- Open circuit, short circuit, over load and over temperature protection
- Auto restart after removal of fault condition (except OTP)
- Warranty : 5 Years

Specifications

Model	Rated input	PF	Output	Output Power range	Output voltage range	Tolerance	Efficiency	ta	tc	Size	Approval
SLT75-12VFG	AC220-240V	0.95	12VDC	0-75W	-	+/-5%	91.5%	-20-45°C	90°C	298x29.8x16mm	CE, UL
SLT75-24VFG	AC220-240V	0.95	24VDC	0-75W	-	+/-5%	91.6%	-20-50°C	90°C	298x29.8x16mm	CE, UL, DVE

Ultrathin Series

Fix

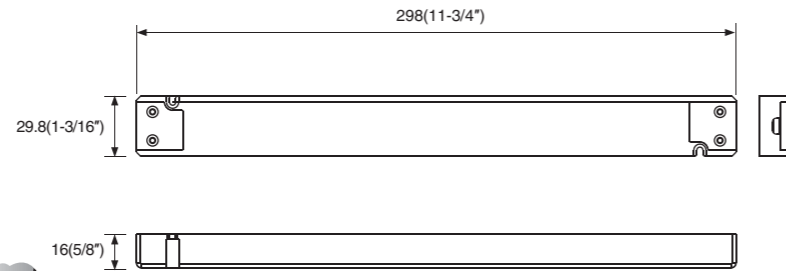
SLT100-12VFG

SLT100-24/48VFG-UN



Ultra thin 16mm
Thickness only

Dimensions: (mm/inch)



- Independent power supply for constant voltage LED lamp
- Class II protection against electric shock from direct and indirect contact
- Start-up time $\leq 0.5s$
- No load power consumption $\leq 0.5W$
- Open circuit, short circuit, over load and over temperature protection
- Auto restart after removal of fault condition (except OTP)
- Warranty : 5 Years

Specifications

Model	Rated input	PF	Output	Output Power range	Output voltage range	Tolerance	Efficiency	ta	tc	Size	Approval
SLT100-12VFG	AC220-240V	0.95	12VDC	0-96W	-	+/-5%	92.0%	-20-45°C	90°C	298x29.8x16mm (11-3/4"x1-3/16"x5/8")	CE
SLT100-24VFG-UN	AC120-240V	0.95	24VDC	0-100W@240V 0-80W@120V	-	+/-5%	92.3%	-20-45°C	90°C	298x29.8x16mm (11-3/4"x1-3/16"x5/8")	CE, UL
SLT100-48VFG-UN	AC120-240V	0.95	48VDC	0-100W@240V 0-80W@120V	-	+/-3%	92.3%	-20-45°C	90°C	298x29.8x16mm (11-3/4"x1-3/16"x5/8")	CE, UL

Ultrathin Series

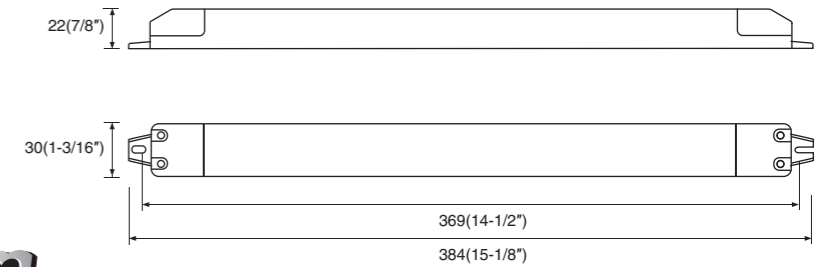
Fix

SLT150-24/48VFG-UN



Ultra thin 22mm
Thickness only

Dimensions: (mm/inch)



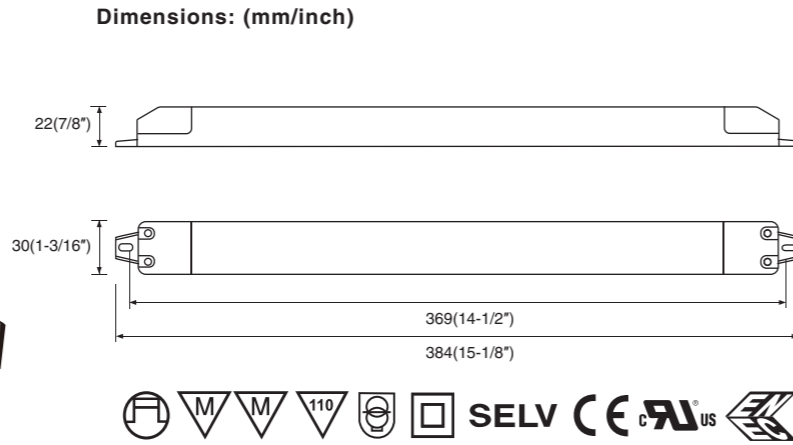
- Independent power supply for constant voltage LED lamp
- Class II protection against electric shock from direct and indirect contact
- Start-up time $\leq 0.5s$
- No load power consumption $\leq 0.5W$
- Open circuit, short circuit, over load and over temperature protection
- Auto restart after removal of fault condition (except OTP)
- Reinforced EMC function suitable for both Class I and Class II luminaire
- Warranty : 5 Years

Specifications

Model	Rated input	PF	Output	Output Power range	Output voltage range	Tolerance	Efficiency	ta	tc	Size	Approval
SLT150-24VFG-UN	AC120-240V	0.95	24VDC	0-150W	-	+/-3%	$\geq 92\%$ / $\geq 94\%$	-20-45°C	90°C	369x30x22mm (15-1/8"x1-3/16"x7/8")	UL, pending
SLT150-48VFG-UN	AC120-240V	0.95	48VDC	0-150W	-	+/-3%	$\geq 92\%$ / $\geq 94\%$	-20-45°C	90°C	369x30x22mm (15-1/8"x1-3/16"x7/8")	UL, pending

Ultrathin Series Fix SLT200-24/48VFG-UN

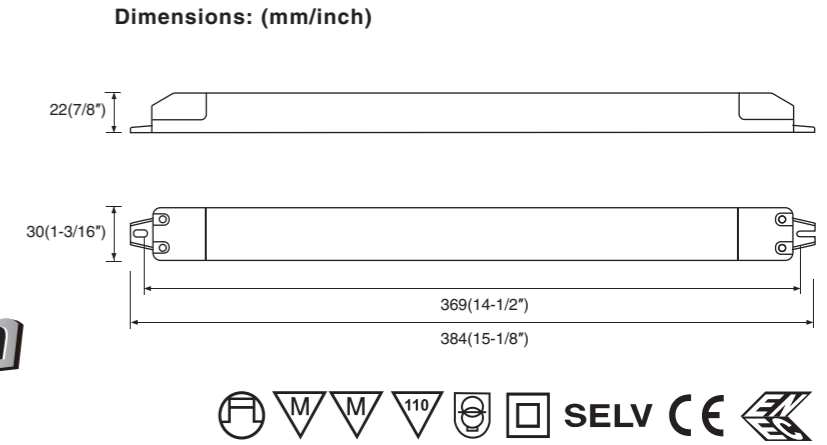
Ultrathin Series Fix SLT250-24/48VFG-EU



- Independent power supply for constant voltage LED lamp
- Class II protection against electric shock from direct and indirect contact
- Start-up time $\leq 0.5s$
- No load power consumption $\leq 0.5W$
- Open circuit, short circuit, over load and over temperature protection
- Auto restart after removal of fault condition (except OTP)
- Reinforced EMC function suitable for both Class I and Class II luminaire
- Warranty : 5 Years

Specifications

Model	Rated input	PF	Output	Output Power range	Output voltage range	Tolerance	Efficiency	ta	tc	Size	Approval
SLT200-24VFG-UN	AC120-240V	0.95	24VDC	0-150W@120V 0-200W@220-240V	-	+/-5%	94.0%	-20-45°C	90°C	384x30x22mm (15-1/8"x1-3/16"x7/8")	UL
SLT200-48VFG-UN	AC120-240V	0.95	48VDC	0-150W@120V 0-200W@220-240V	-	+/-5%	94.0%	-20-45°C	90°C	384x30x22mm (15-1/8"x1-3/16"x7/8")	UL



- Independent power supply for constant voltage LED lamp
- Class II protection against electric shock from direct and indirect contact
- Start-up time $\leq 0.5s$
- No load power consumption $\leq 0.5W$
- Open circuit, short circuit, over load and over temperature protection
- Auto restart after removal of fault condition (except OTP)
- Reinforced EMC function suitable for both Class I and Class II luminaire
- Warranty : 5 Years
- Comply with EN60335

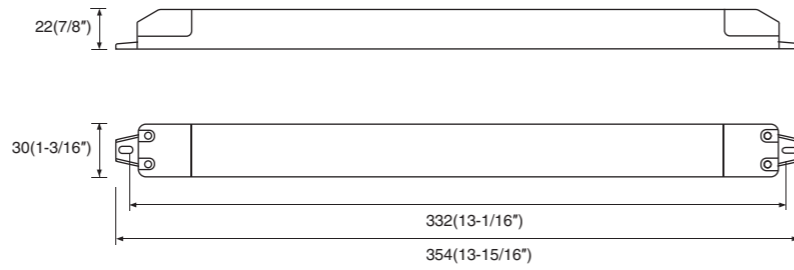
Specifications

Model	Rated input	PF	Output	Output Power range	Output voltage range	Tolerance	Efficiency	ta	tc	Size	Approval
SLT250-24VFG-EU	AC220-240V	0.95	24VDC	30-250W	-	+/-3%	94.0%	-20-40°C	90°C	384x30x22mm (15-1/8"x1-3/16"x7/8")	CE
SLT250-48VFG-EU	AC220-240V	0.95	48VDC	30-250W	-	+/-3%	94.0%	-20-40°C	90°C	384x30x22mm (15-1/8"x1-3/16"x7/8")	CE

Ultrathin Series Fix SLT75-24/48VFE-UN



Dimensions: (mm/inch)



- Independent power supply for constant voltage LED lamp
- Class II protection against electric shock from direct and indirect contact
- Start-up time $\leq 0.5s$
- No load power consumption $\leq 0.5W$
- Open circuit, short circuit, over load and over temperature protection
- Auto restart after removal of fault conditions
- Reinforced EMC function suitable for both Class I and Class II luminaire
- Comply with ENEC EN60335
- Warranty : 5 Years

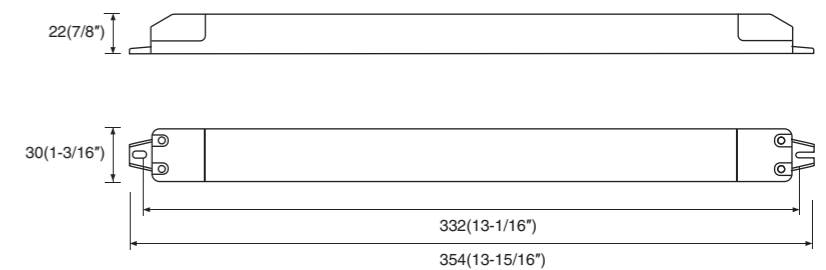
Specifications

Model	Rated input	PF	Output	Output Power range	Output voltage range	Tolerance	Efficiency	ta	tc	Size	Approval
SLT75-24VFE-UN	AC120-240V	0.95	24VDC	0-75W	-	+/-3%	$\geq 92\%/\geq 94\%$	-20-50°C	85°C	354x30x22mm (13-15/16"x1-3/16"x7/8")	optional
SLT75-48VFE-UN	AC120-240V	0.95	48VDC	0-75W	-	+/-3%	$\geq 92\%/\geq 94\%$	-20-50°C	85°C	354x30x22mm (13-15/16"x1-3/16"x7/8")	optional

Ultrathin Series Fix SLT96-24/48VFE-UN



Dimensions: (mm/inch)



- Independent power supply for constant voltage LED lamp
- Class II protection against electric shock from direct and indirect contact
- Start-up time $\leq 0.5s$
- No load power consumption $\leq 0.5W$
- Open circuit, short circuit, over load and over temperature protection
- Auto restart after removal of fault conditions
- Reinforced EMC function suitable for both Class I and Class II luminaire
- Comply with ENEC EN60335
- Warranty : 5 Years

Specifications

Model	Rated input	PF	Output	Output Power range	Output voltage range	Tolerance	Efficiency	ta	tc	Size	Approval
SLT96-24VFE-UN	AC120-240V	0.95	24VDC	0-94W	-	+/-3%	$\geq 94\%$	-20-50°C	85°C	354x30x22mm (13-15/16"x1-3/16"x7/8")	optional
SLT96-48VFE-UN	AC120-240V	0.95	48VDC	0-94W	-	+/-3%	$\geq 94\%$	-20-50°C	85°C	354x30x22mm (13-15/16"x1-3/16"x7/8")	optional

Ultrathin Series

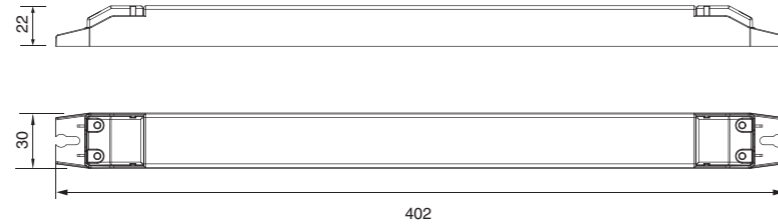
Fix

SLT150-24/48VFE-EU



Ultra thin 22mm
Thickness only

Dimensions: (mm)



- Independent power supply for constant voltage LED lamp
- Class II protection against electric shock from direct and indirect contact
- Start-up time $\leq 0.5s$
- No load power consumption $\leq 0.5W$
- Open circuit, short circuit, over load and over temperature protection
- Auto restart after removal of fault conditions
- Reinforced EMC function suitable for both Class I and Class II luminaire
- Designed with G2.5 protection function
- Warranty : 5 Years

Specifications

Model	Rated input	PF	Output	Output Power range	Output voltage range	Tolerance	Efficiency	ta	tc	Size	Approval
SLT150-24VFE-EU	AC220-240V	0.95	24VDC	0-150W	-	+/-3%	$\geq 92.5\%$	-20-45°C	90°C	402x30x22mm	optional
SLT150-48VFE-EU	AC220-240V	0.95	48VDC	0-150W	-	+/-3%	$\geq 93.5\%$	-20-45°C	90°C	402x30x22mm	optional

Ultrathin Series

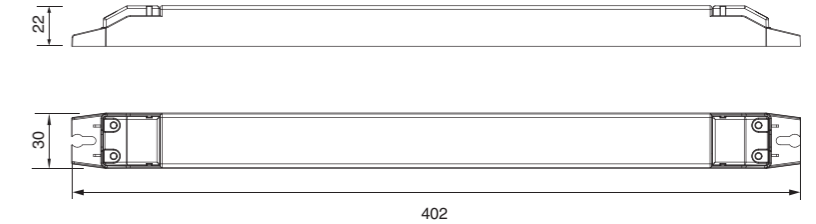
Fix

SLT200-24VFE-EU



Ultra thin 22mm
Thickness only

Dimensions: (mm)



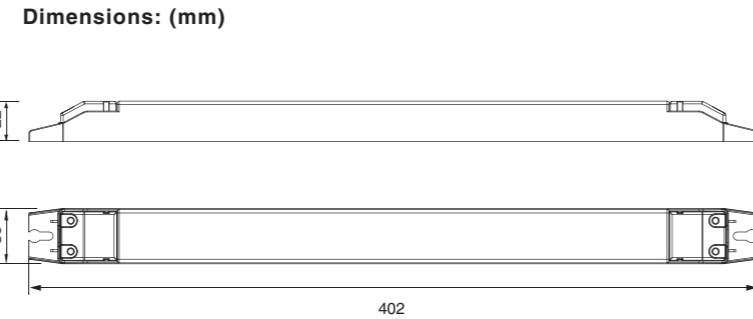
- Independent power supply for constant voltage LED lamp
- Class II protection against electric shock from direct and indirect contact
- Start-up time $\leq 0.5s$
- No load power consumption $\leq 0.5W$
- Open circuit, short circuit, over load and over temperature protection
- Auto restart after removal of fault conditions
- Reinforced EMC function suitable for both Class I and Class II luminaire
- Designed with G2.5 protection function
- Warranty : 5 Years

Specifications

Model	Rated input	PF	Output	Output Power range	Output voltage range	Tolerance	Efficiency	ta	tc	Size	Approval
SLT200-24VFE-EU	AC220-240V	0.95	24VDC	0-200W	-	+/-3%	$\geq 92.5\%$	-20-45°C	90°C	402x30x22mm	optional
SLT200-48VFE-EU	AC220-240V	0.95	48VDC	0-200W	-	+/-3%	$\geq 93.5\%$	-20-45°C	90°C	402x30x22mm	optional

Ultrathin Series DALI2

SLD75-24/48VFD-EU SLD100-24/48VFD-EU



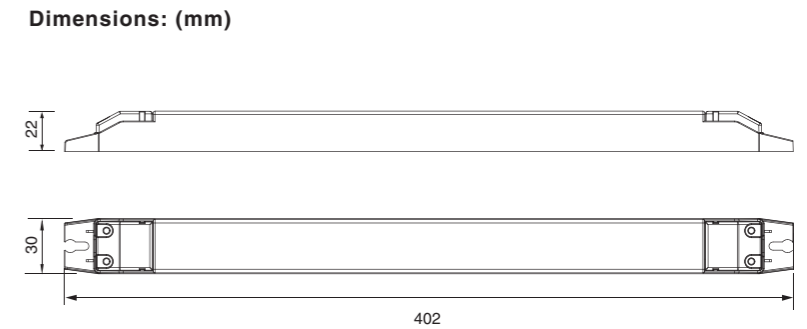
- Independent power supply for constant voltage LED lamp
- Class II protection against electric shock from direct and indirect contact
- Stand by power consumption ≤ 0.5W
- 0.1-100% dimming range by DALI
- Open circuit, short circuit, over load and over temperature protection
- Auto restart after removal of fault conditions
- Reinforced EMC function suitable for both Class I and Class II luminaire
- Comply with DALI2.0
- Warranty : 5 Years

Specifications

Model	Rated input	PF	Output	Output Power range	Output voltage range	Tolerance	Efficiency	ta	tc	Size	Approval
SLD75-24VFD-EU	AC220-240V	0.95	24VDC	0-75W	-	+/-3%	≥92.5%	-20-45°C	90°C	402x30x22mm	optional
SLD75-48VFD-EU	AC220-240V	0.95	48VDC	0-75W	-	+/-3%	≥93.5%	-20-45°C	90°C	402x30x22mm	EL optional
SLD100-24VFD-EU	AC220-240V	0.95	24VDC	0-100W	-	+/-3%	≥92.5%	-20-45°C	90°C	402x30x22mm	optional
SLD100-48VFD-EU	AC220-240V	0.95	48VDC	0-100W	-	+/-3%	≥93.5%	-20-45°C	90°C	402x30x22mm	EL optional

Ultrathin Series DALI2

SLD150-24/48VFD-EU SLD200-24/48VFD-EU



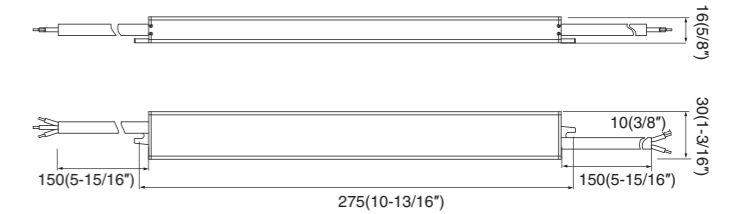
- Independent power supply for constant voltage LED lamp
- Class II protection against electric shock from direct and indirect contact
- Stand by power consumption ≤ 0.5W
- 0.1-100% dimming range by DALI
- Open circuit, short circuit, over load and over temperature protection
- Auto restart after removal of fault conditions
- Reinforced EMC function suitable for both Class I and Class II luminaire
- Comply with DALI2.0
- Warranty : 5 Years

Specifications

Model	Rated input	PF	Output	Output Power range	Output voltage range	Tolerance	Efficiency	ta	tc	Size	Approval
SLD150-24VFD-EU	AC220-240V	0.95	24VDC	0-150W	-	+/-3%	≥92.5%	-20-45°C	90°C	402x30x22mm	optional
SLD150-48VFD-EU	AC220-240V	0.95	48VDC	0-150W	-	+/-3%	≥93.5%	-20-45°C	90°C	402x30x22mm	EL optional
SLD200-24VFD-EU	AC220-240V	0.95	24VDC	0-200W	-	+/-3%	≥92.5%	-20-45°C	90°C	402x30x22mm	optional
SLD200-48VFD-EU	AC220-240V	0.95	48VDC	0-200W	-	+/-3%	≥93.5%	-20-45°C	90°C	402x30x22mm	EL optional



Dimensions: (mm/inch)



- Independent power supply for constant voltage LED lamp
- Super slim with thickness only 16mm
- Metal case with Class I protection
- Start-up time $\leq 0.5s$
- No load power consumption $\leq 0.5W$
- IP66/IP67 water-proof design
- Open circuit, short circuit, over load and over temperature protection
- Auto restart after fault conditions removal
- Comply with EN60335
- Warranty : 5 Years

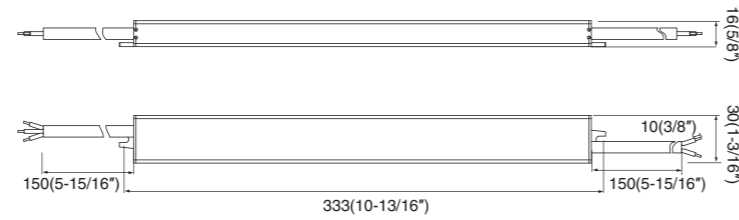
Specifications

Model	Rated input	PF	Output	Output Power range	Tolerance	Efficiency	ta	tc	Size	Approval
SLT30-12VFC-UN	AC120-240V	0.95	12VDC	0-30W	+/-5%	83.5%	-20-50°C	75°C	275x30x16mm (10-13/16"x1-3/16"x5/8")	CE, SELV, RoHS, UL pending
SLT30-24VFC-UN	AC120-240V	0.95	24VDC	0-30W	+/-5%	84.5%	-20-50°C	75°C	275x30x16mm (10-13/16"x1-3/16"x5/8")	CE, SELV, RoHS, UL pending

Metal Slim Series Fix SLT75-12/24VFC-UN



Dimensions: (mm/inch)



CLASS 2 output SELV pending

- Independent power supply for constant voltage LED lamp
- Super slim with thickness only 16mm
- Metal case with Class I protection
- Start-up time ≤0.5s
- No load power consumption ≤0.5W
- IP66/IP67 water-proof design
- Open circuit, short circuit, over load and over temperature protection
- Auto restart after fault conditions removal
- Comply with EN60335
- Warranty : 5 Years

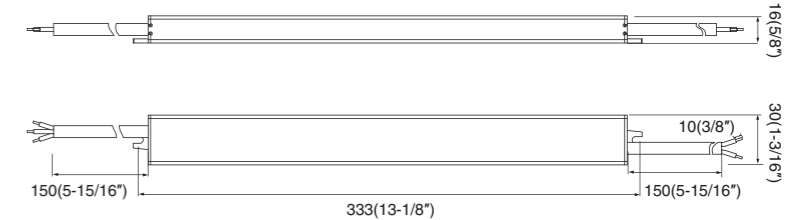
Specifications

Model	Rated input	PF	Output	Output Power range	Output voltage range	Tolerance	Efficiency	ta	tc	Size	Approval
SLT75-12VFC-UN	AC120-240V	0.95	12VDC	0-60W@120Vac 0-75W@220-240Vac	-	+/-5%	90.7%	-20-50°C	75°C	333x30x16mm (13-1/8"x1-3/16"x5/8")	pending
SLT75-24VFC-UN	AC120-240V	0.95	24VDC	0-75W	-	+/-5%	91.2%	-20-50°C	75°C	333x30x16mm (13-1/8"x1-3/16"x5/8")	pending

Metal Slim Series Fix SLT100-24VFC-UN



Dimensions: (mm/inch)



CLASS 2 output SELV pending

- Independent power supply for constant voltage LED lamp
- Super slim with thickness only 16mm
- Metal case with Class I protection
- Start-up time ≤0.5s
- No load power consumption ≤0.5W
- IP66/IP67 water-proof design
- Open circuit, short circuit, over load and over temperature protection
- Auto restart after fault conditions removal
- Comply with EN60335
- Warranty : 5 Years

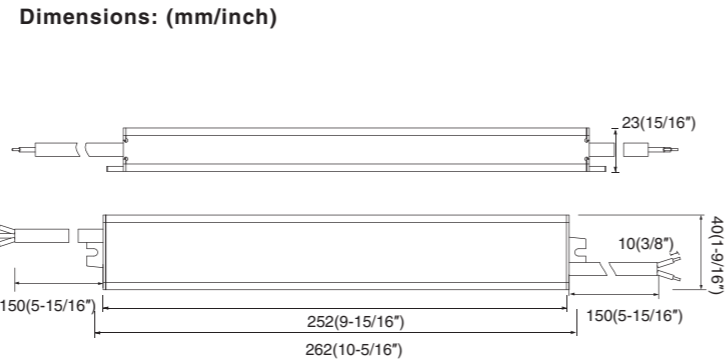
Specifications

Model	Rated input	PF	Output	Output Power range	Output voltage range	Tolerance	Efficiency	ta	tc	Size	Approval
SLT100-24VFC-UN	AC120-240V	0.95	24VDC	0-75W@120V 0-100W@220-240V	-	+/-5%	92.0%	-20-50°C	75°C	333x30x16mm (13-1/8"x1-3/16"x5/8")	pending

Metal Slim Series

Fix

SLT96-12/24VLC-UN



CLASS 2
output
(only for SLT96-24VLC-UN)

SELV **CE** **DVE** **EMC** **UL** **US**
(only for SLT96-24VLC-UN)

- Independent power supply for constant voltage LED lamp
- Metal case with Class I protection
- Start-up time $\leq 0.5s$
- No load power consumption $\leq 0.5W$
- IP66/IP67 water-proof design
- Open circuit, short circuit, over load and over temperature protection
- Auto restart after fault conditions removal
- Comply with VDE EN60335
- Warranty : 5 Years

Specifications

Model	Rated input	PF	Output	Output Power range	Output voltage range	Tolerance	Efficiency	ta	tc	Size	Approval
SLT96-12VLC-UN	AC100-277V	0.95	12VDC	0-96W	-	+/-5%	92.0%	-40-50°C@100-120V -40-60°C@220-277V	90°C	262x40x23mm (10-5/16"x1-9/16"x15/16")	CE, SELV, EMC, UL
SLT96-24VLC-UN	AC100-277V	0.95	24VDC	0-96W	-	+/-5%	92.5%	-40-50°C@100-110V -40-60°C@120-277V	90°C@100-120V 85°C@220-277V	262x40x23mm (10-5/16"x1-9/16"x15/16")	CE, SELV, EMC, UL

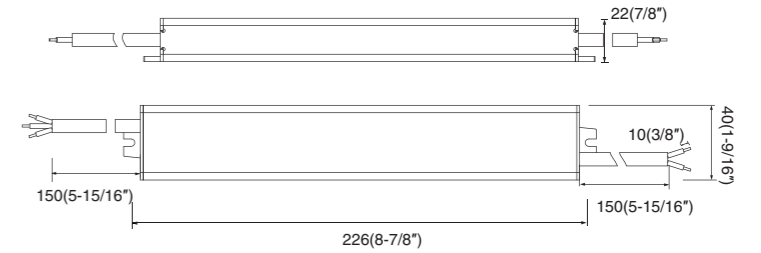
Metal Slim Series

0/1-10V

SLD96-24VCA-UN



Dimensions: (mm/inch)



SELV **CE** **UL** **US** **DVE**
pending pending

- Independent power supply for constant voltage LED lamp
- Metal case with Class I protection
- Start-up time $\leq 0.5s$
- No load power consumption $\leq 0.5W$
- IP66/IP67 water-proof design
- Open circuit, short circuit, over load and over temperature protection
- Auto restart after fault conditions removal
- 5-100% dimming range by 1-10V, PWM signal or resistor
- Comply with EN60335
- Warranty : 5 Years

Specifications

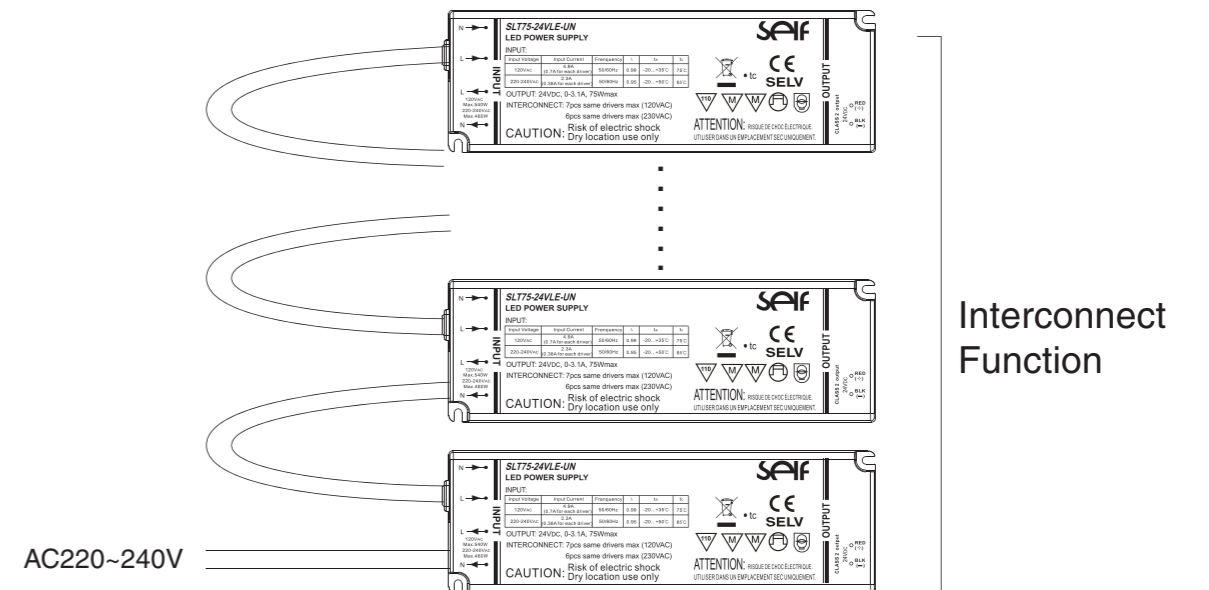
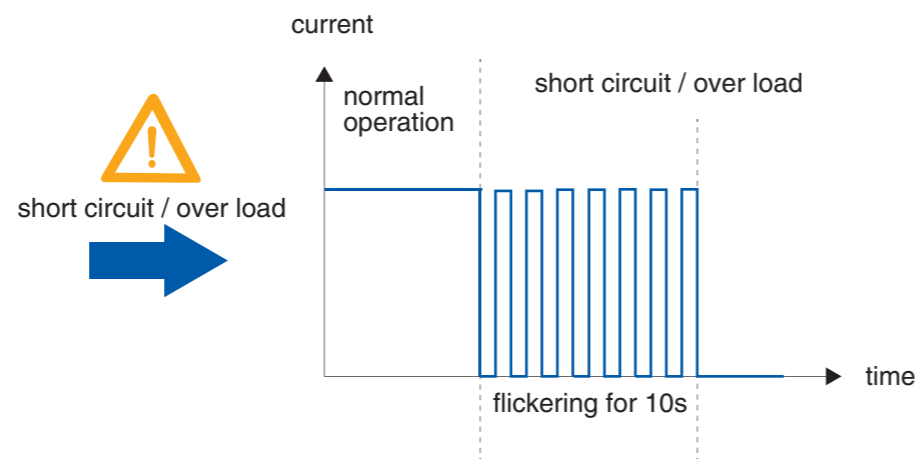
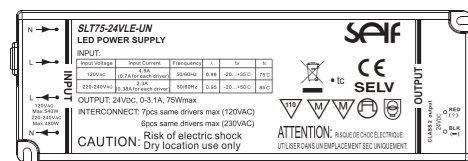
Model	Rated input	PF	Output	Output Power range	Output voltage range	Tolerance	Efficiency	ta	tc	Size	Approval
SLD96-24VCA-UN	AC100-277V	0.95	24VDC	0-96W	-	+/-5%	92.0%	-40-50°C@100-110V -40-60°C@120-277V	90°C@100-120V 85°C@220-277V	226x40x23mm (8-7/8"x1-9/16"x7/8")	CE, UL, pending

Loop Series Fix



Generation 2.5 protection

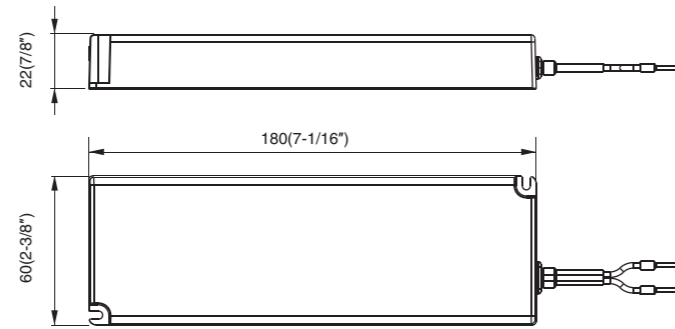
2.5 generation protection



Loop series Fix SLT75-24/48VLE-UN



Dimensions: (mm/inch)



CLASS 2 output

- Independent power supply for constant voltage LED lamp
- Standard 8-socket for easy connection
- Designed with interconnect function
- Class II protection against electric shock from direct and indirect contact
- Start-up time $\leq 0.5s$
- Open circuit, short circuit, over load and over temperature protection
- Auto restart after removal of fault conditions
- Designed with G2.5 protection function
- Warranty : 5 Years

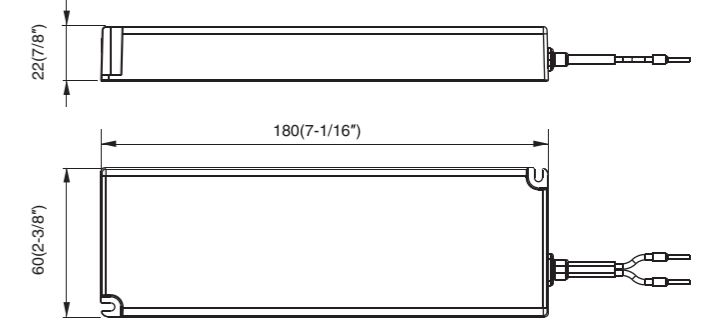
Specifications

Model	Rated input	PF	Output	Output Power range	Output voltage range	Tolerance	Efficiency	ta	tc	Size	Approval
SLT75-24VLE-UN	AC120-240V	0.95	24VDC	0-75W	-	+/-3%	92.0%	-20-35°C@120V -20-50°C@230V	75°C@120V 85°C@230V	180x60x22mm	
SLT75-48VLE-UN	AC120-240V	0.95	48VDC	0-75W	-	+/-3%	92.5%	-20-35°C@120V -20-50°C@230V	75°C@120V 85°C@230V	180x60x22mm	

Loop series Fix SLT96-24/48VLE-UN



Dimensions: (mm/inch)



CLASS 2 output

- Independent power supply for constant voltage LED lamp
- Standard 8-socket for easy connection
- Designed with interconnect function
- Class II protection against electric shock from direct and indirect contact
- Start-up time $\leq 0.5s$
- Open circuit, short circuit, over load and over temperature protection
- Auto restart after removal of fault conditions
- Designed with G2.5 protection function
- Warranty : 5 Years

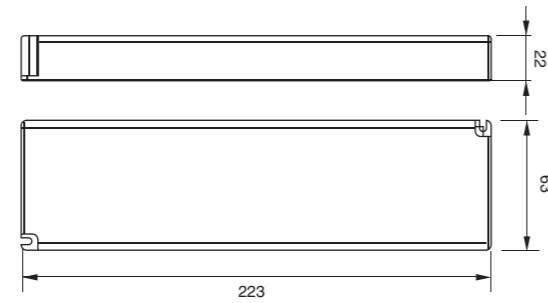
Specifications

Model	Rated input	PF	Output	Output Power range	Output voltage range	Tolerance	Efficiency	ta	tc	Size	Approval
SLT96-24VLE-UN	AC120-240V	0.95	24VDC	0-96W	-	+/-3%	92.0%	-20-35°C@120V -20-50°C@230V	75°C@120V 85°C@230V	180x60x22mm	
SLT96-48VLE-UN	AC120-240V	0.95	48VDC	0-96W	-	+/-3%	91.0%	-20-35°C@120V -20-50°C@230V	75°C@120V 85°C@230V	180x60x22mm	

Loop series Fix SLT150-24/48VLE-EU



Dimensions: (mm)



- Independent power supply for constant voltage LED lamp
- Standard 8-socket for easy connection
- Designed with interconnect function
- Class II protection against electric shock from direct and indirect contact
- Start-up time $\leq 0.5s$
- Open circuit, short circuit, over load and over temperature protection
- Auto restart after removal of fault conditions
- Designed with G2.5 protection function
- Comply with ENEC EN60335
- Warranty : 5 Years

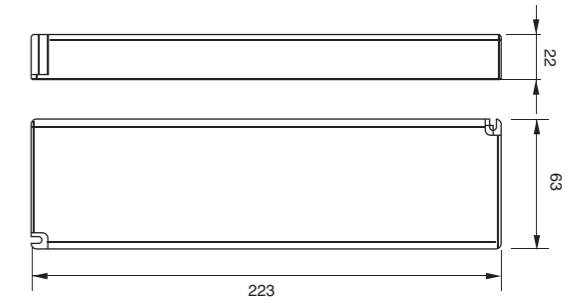
Specifications

Model	Rated input	PF	Output	Output Power range	Output voltage range	Tolerance	Efficiency	ta	tc	Size	Approval
SLT150-24VLE-EU	AC220-240V	0.95	24VDC	0-150W	-	+/-3%	94.0%	-20-45°C	90°C	223x63x22mm	CE
SLT150-48VLE-EU	AC220-240V	0.95	48VDC	0-150W	-	+/-3%	94.0%	-20-45°C	90°C	223x63x22mm	CE

Loop series Fix SLT200-24/48VLE-EU



Dimensions: (mm)



- Independent power supply for constant voltage LED lamp
- Standard 8-socket for easy connection
- Designed with interconnect function
- Class II protection against electric shock from direct and indirect contact
- Start-up time $\leq 0.5s$
- Open circuit, short circuit, over load and over temperature protection
- Auto restart after removal of fault conditions
- Designed with G2.5 protection function
- Comply with ENEC EN60335
- Warranty : 5 Years

Specifications

Model	Rated input	PF	Output	Output Power range	Output voltage range	Tolerance	Efficiency	ta	tc	Size	Approval
SLT200-24VLE-EU	AC220-240V	0.95	24VDC	0-200W	-	+/-3%	94.0%	-20-45°C	90°C	223x63x22mm	CE
SLT200-48VLE-EU	AC220-240V	0.95	48VDC	0-200W	-	+/-3%	94.0%	-20-45°C	90°C	223x63x22mm	CE

Classic Series

Fix / High-Adaptability Triac

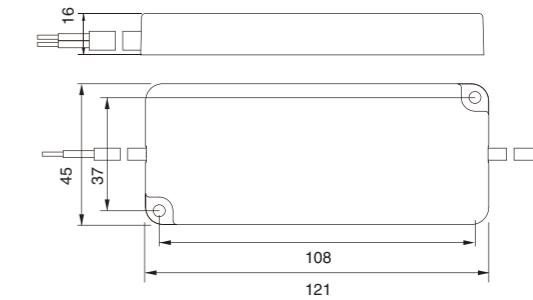
Classic Series

Fix

SLT20-12/24VFC-1



Dimensions: (mm)



- IP44 independent power supply for constant voltage LED lamp
- H03VVH2-F 2X0.75mm² cable for input and output connection
- Class II protection against electric shock from direct and indirect contact
- SELV output
- Open circuit, short circuit, over load and over temperature protection
- Auto restart after fault conditions removal
- No load power consumption $\leq 0.3W$
- Efficiency $\geq 80\%$ (AC230V, full load)

Specifications

Model	Rated input	PF	Output	Output Power range	Output voltage range	Tolerance	Efficiency	ta	tc	Size	Approval
SLT20-12VFC-1	AC220-240V	0.50C	12VDC	0-20W	-	+/-5%	80.4%	-20-45°C	90°C	121x45x16mm	CE Intertek Optional
SLT20-24VFC-1	AC220-240V	0.50C	24VDC	0-20W	-	+/-5%	81.2%	-20-45°C	90°C	121x45x16mm	CE Intertek Optional

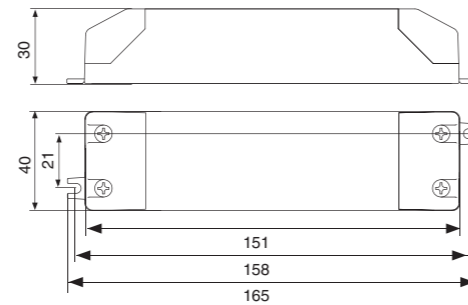
Classic Series

Fix

SLT30-12/24/48VLG-Es



Dimensions: (mm)



- Independent power supply for constant voltage LED lamp
- Class II protection against electric shock from direct and indirect contact
- Start-up time $\leq 0.5s$
- No load power consumption $\leq 0.5W$
- Open circuit, short circuit, over load and over temperature protection
- Auto restart after removal of fault conditions
- Warranty : 5 Years

Specifications

Model	Rated input	PF	Output	Output Power range	Output voltage range	Tolerance	Efficiency	ta	tc	Size	Approval
SLT30-12VLG-Es	AC220-240V	0.95	12VDC	0-30W	-	+/-5%	83.6%	-20-50°C	90°C	165x40x30mm	CE Intertek S&E
SLT30-24VLG-Es	AC220-240V	0.95	24VDC	0-30W	-	+/-5%	85.6%	-20-50°C	90°C	165x40x30mm	CE Intertek S&E
SLT30-48VLG-Es	AC220-240V	0.95	48VDC	0-30W	-	+/-5%	86.8%	-20-50°C	90°C	165x40x30mm	CE Intertek S&E

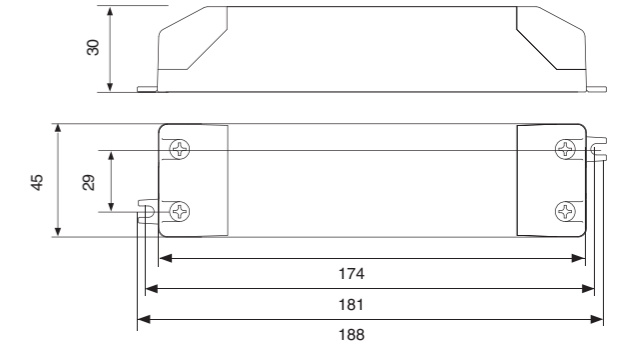
Classic Series

Fix

SLT60-12/24VLG-E



Dimensions: (mm)



- Independent power supply for constant voltage LED lamp
- Class II protection against electric shock from direct and indirect contact
- Start-up time $\leq 0.5s$
- No load power consumption $\leq 0.5W$
- Open circuit, short circuit, over load and over temperature protection
- Auto restart after removal of fault conditions
- Warranty : 5 Years

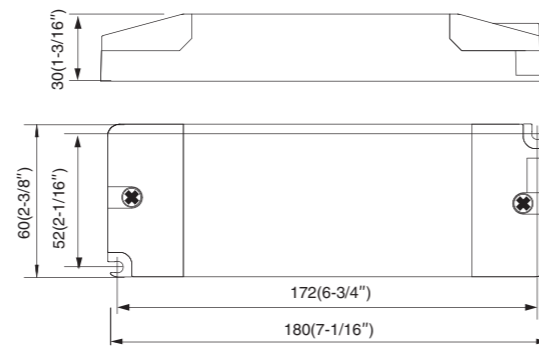
Specifications

Model	Rated input	PF	Output	Output Power range	Output voltage range	Tolerance	Efficiency	ta	tc	Size	Approval
SLT60-12VLG-E	AC220-240V	0.95	12VDC	0-60W	-	+/-5%	87.8%	-20-45°C	90°C	188x45x30mm	CE Intertek S&E
SLT60-24VLG-E	AC220-240V	0.95	24VDC	0-60W	-	+/-5%	89.0%	-20-50°C	85°C	188x45x30mm	CE Intertek S&E

Classic Series Fix SLT75-24VL-2



Dimensions: (mm/inch)



CLASS 2 output SELV CE UL US CCC

- Independent power supply for constant voltage LED lamp
- Class II protection against electric shock from direct and indirect contact
- Start-up time $\leq 0.5s$
- No load power consumption $\leq 0.6W$
- Open circuit, short circuit, over load and over temperature protection
- Auto restart after removal of fault conditions
- Warranty : 5 Years

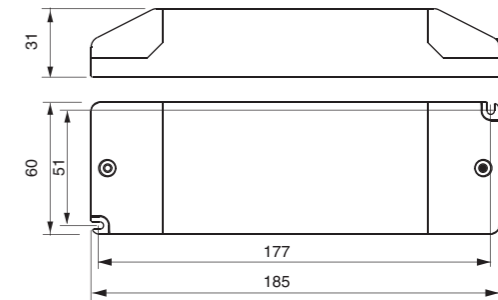
Specifications

Model	Rated input	PF	Output	Output Power range	Output voltage range	Tolerance	Efficiency	ta	tc	Size	Approval
SLT75-24VL-2	AC100-240V	0.95	24VDC	0-75W	-	+/-5%	89.2%	-20-40°C@100V -20-50°C@120-240V	80°C	180x60x30mm (7-1/16"x2-3/8"x1-3/16")	CE, UL, CCC

Classic Series Fix SLT75-24VL-E



Dimensions: (mm)



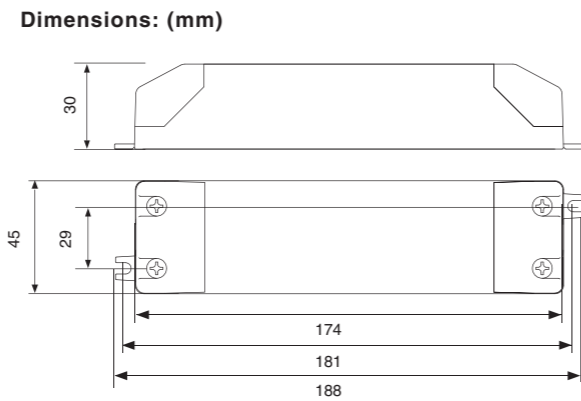
SELV CE VDE CCC

- Independent power supply for constant voltage LED lamp
- Class II protection against electric shock from direct and indirect contact
- Start-up time $\leq 0.5s$
- No load power consumption $\leq 0.6W$
- Open circuit, short circuit, over load and over temperature protection
- Auto restart after removal of fault conditions
- Comply with VDE EN60335
- Warranty : 5 Years

Specifications

Model	Rated input	PF	Output	Output Power range	Output voltage range	Tolerance	Efficiency	ta	tc	Size	Approval
SLT75-24VL-E	AC220-240V	0.95	24VDC	0-75W	-	+/-5%	87.7%	-20-50°C	85°C	185x60x31mm	CE, VDE, CCC

Classic Series Fix SLT80-12/24VLG-E

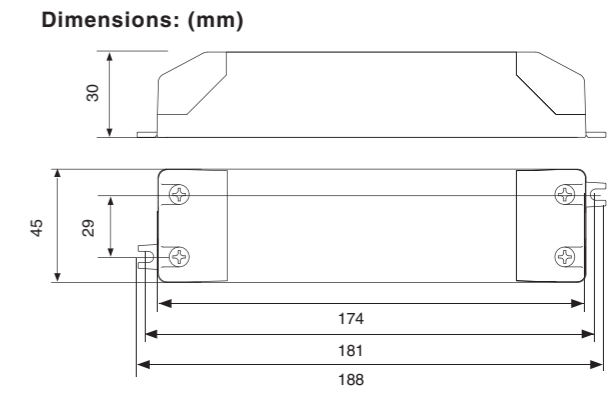


- Independent power supply for constant voltage LED lamp
- Class II protection against electric shock from direct and indirect contact
- Start-up time $\leq 0.5s$
- No load power consumption $\leq 0.5W$
- Open circuit, short circuit, over load and over temperature protection
- Auto restart after removal of fault conditions
- Warranty : 5 Years

Specifications

Model	Rated input	PF	Output	Output Power range	Output voltage range	Tolerance	Efficiency	ta	tc	Size	Approval
SLT80-12VLG-E	AC220-240V	0.95	12VDC	0-80W	-	+/-5%	87.8%	-20-45°C	90°C	188x45x30mm	CE Intertek CCC
SLT80-24VLG-E	AC220-240V	0.95	24VDC	0-80W	-	+/-5%	89.0%	-20-50°C	90°C	188x45x30mm	CE Intertek CCC

Classic Series Fix SLT100-24VLG-E



- Independent power supply for constant voltage LED lamp
- Class II protection against electric shock from direct and indirect contact
- Start-up time $\leq 0.5s$
- No load power consumption $\leq 0.6W$
- Open circuit, short circuit, over load and over temperature protection
- Auto restart after removal of fault conditions
- Comply with EN60335
- Warranty : 5 Years

Specifications

Model	Rated input	PF	Output	Output Power range	Output voltage range	Tolerance	Efficiency	ta	tc	Size	Approval
SLT100-24VLG-E	AC220-240V	0.95	24VDC	0-100W	-	+/-5%	89.0%	-20-45°C	90°C	188x45x30mm	CE Intertek pending

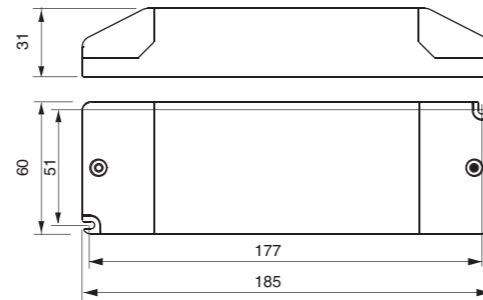
Classic Series

Fix

SLT150-24/48VLG-E



Dimensions: (mm)



- Independent power supply for constant voltage LED lamp
- Class II protection against electric shock from direct and indirect contact
- Start-up time $\leq 0.5s$
- No load power consumption $\leq 0.5W$
- Open circuit, short circuit, over load and over temperature protection
- Auto restart after removal of fault conditions
- Designed with G2.5 protection function
- Comply with VDE EN60335
- Warranty : 5 Years

Specifications

Model	Rated input	PF	Output	Output Power range	Output voltage range	Tolerance	Efficiency	ta	tc	Size	Approval
SLT150-24VLG-E	AC220-240V	0.95	24VDC	0-150W	-	+/-5%	93.0%	-20-45°C	90°C	185x60x31mm	CE DVE
SLT150-48VLG-E	AC220-240V	0.95	48VDC	0-150W	-	+/-5%	93.0%	-20-45°C	90°C	185x60x31mm	CE DVE

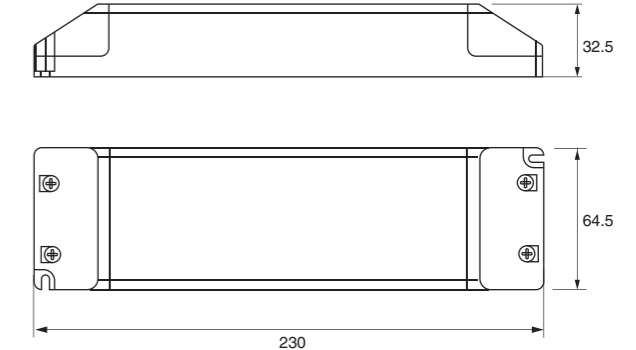
Classic Series

Fix

SLT250-24/48VLG-E



Dimensions: (mm)

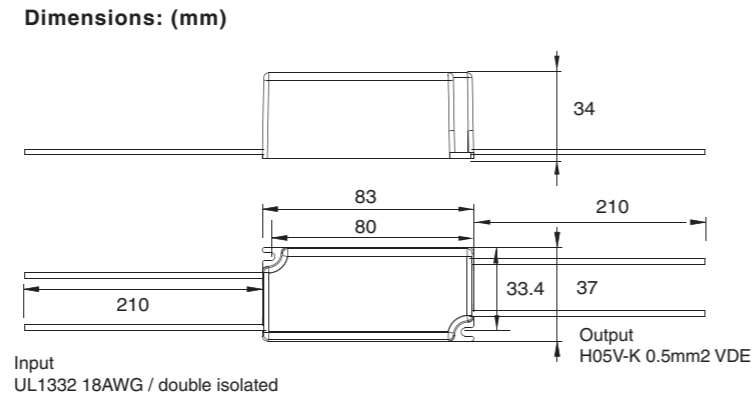


- Independent power supply for constant voltage LED lamp
- Class II protection against electric shock from direct and indirect contact
- Start-up time $\leq 0.5s$
- No load power consumption $\leq 0.5W$
- Open circuit, short circuit, over load and over temperature protection
- Auto restart after removal of fault conditions
- Designed with G2.5 protection function
- Comply with VDE EN60335
- Warranty : 5 Years

Specifications

Model	Rated input	PF	Output	Output Power range	Output voltage range	Tolerance	Efficiency	ta	tc	Size	Approval
SLT250-24VLG-E	AC220-240V	0.95	24VDC	0-250W	-	+/-3%	94.0%	-20-40°C	90°C	230x64.5x32.5mm	CE DVE
SLT250-48VLG-E	AC220-240V	0.95	48VDC	0-250W	-	+/-3%	94.0%	-20-40°C	90°C	230x64.5x32.5mm	CE DVE

Classic Series High-Adaptability Triac SLD15-24VL-E

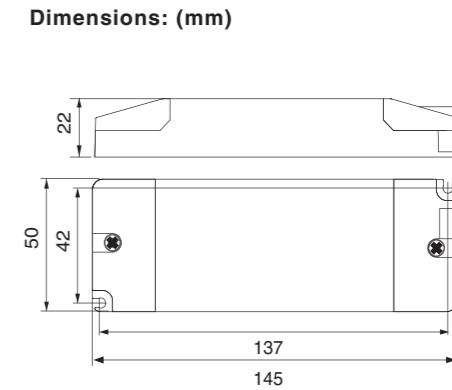


- Built-in power supply for constant voltage LED lamp
- Class II protection against electric shock from direct and indirect contact
- Ripple free in all dimming range
- High compatible for different dimmers
- Open circuit, short circuit, over load and over temperature protection
- Auto restart after fault conditions removal
- The output current of the power supply could be dimmed between 5%-100% by trailing edge or leading edge dimmers.
- Warranty : 5 Years

Specifications

Model	Rated input	PF	Output	Output Power range	Output voltage range	Tolerance	Efficiency	ta	tc	Size	Approval
SLD15-24VL-E	AC220-240V	0.95	24VDC	5-15W	-	+/-5%	78.5%	-10-50°C	80°C	83x37x34mm	CE pending

Classic Series High-Adaptability Triac SLD30-12/24VL-E



- Independent power supply for constant voltage LED lamp
- Class II protection against electric shock from direct and indirect contact
- Ripple free in all dimming range
- High compatible for different dimmers
- Open circuit, short circuit, over load and over temperature protection
- Auto restart after fault conditions removal
- The output current of the power supply could be dimmed between 5%-100% by trailing edge or leading edge dimmers.
- Warranty : 5 Years

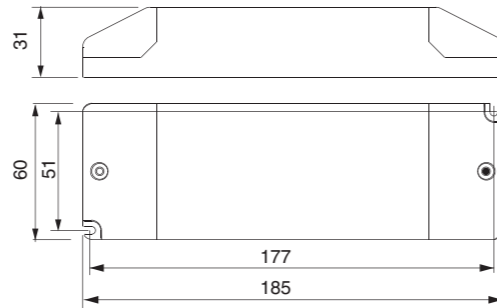
Specifications

Model	Rated input	PF	Output	Output Power range	Output voltage range	Tolerance	Efficiency	ta	tc	Size	Approval
SLD30-12VL-E	AC220-240V	0.95	12VDC	5-30W	-	+/-5%	81.0%	-20-45°C	90°C	145x50x22mm	CE pending
SLD30-24VL-E	AC220-240V	0.95	24VDC	5-30W	-	+/-5%	83.0%	-20-45°C	85°C	145x50x22mm	CE pending

Classic Series High-Adaptability Triac SLD75-12/24VL-E



Dimensions: (mm)



- Independent power supply for constant voltage LED lamp
- Class II protection against electric shock from direct and indirect contact
- Ripple free in all dimming range
- High compatible for different dimmers
- Open circuit, short circuit, over load and over temperature protection
- Auto restart after fault conditions removal
- The output current of the power supply could be dimmed between 10%-100% by trailing edge or leading edge dimmers.
- Warranty : 5 Years

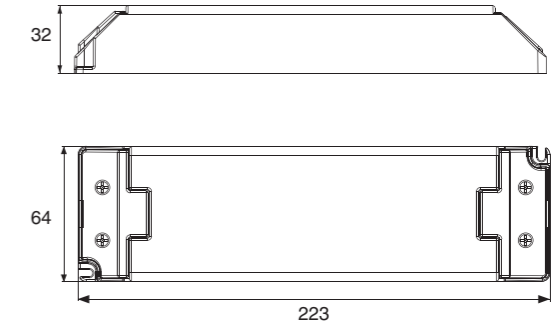
Specifications

Model	Rated input	PF	Output	Output Power range	Output voltage range	Tolerance	Efficiency	ta	tc	Size	Approval
SLD75-12VL-E	AC220-240V	0.95	12VDC	12-75W	-	+/-5%	85.0%	-10-45°C	85°C	185x60x31mm	CE, SELV, CCC
SLD75-24VL-E	AC220-240V	0.95	24VDC	12-75W	-	+/-5%	86.5%	-10-45°C	85°C	185x60x31mm	CE, SELV, CCC

Classic Series High-Adaptability Triac SLD120-24VL-E



Dimensions: (mm)



- Independent power supply for constant voltage LED lamp
- Class II protection against electric shock from direct and indirect contact
- Ripple free in all dimming range
- High compatible for different dimmers
- Open circuit, short circuit, over load and over temperature protection
- Auto restart after fault conditions removal
- The output current of the power supply could be dimmed between 10%-100% by trailing edge or leading edge dimmers.
- Warranty : 5 Years

Specifications

Model	Rated input	PF	Output	Output Power range	Output voltage range	Tolerance	Efficiency	ta	tc	Size	Approval
SLD120-24VL-E	AC220-240V	0.95	24VDC	12-120W	-	+/-5%	90.0%	-20-45°C	85°C	223x64x32mm	CE, SELV, CCC

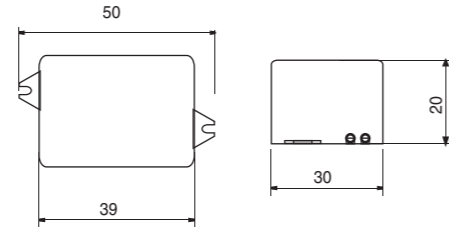
Basic Series Fix



Basic Series Fix SLT3-350/700IS-1



Dimensions: (mm)



- Compact dimensions
- Built-in power supply for constant current LED lamp
- With output and input flying leads
- Ripple free
- Open circuit ,short circuit ,over load and over temperature protection
- Auto restart after fault conditions removal
- Warranty : 3 Years

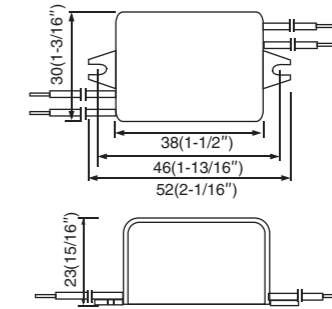
Specifications

Model	Rated input	PF	Output	Output Power range	Output voltage range	Tolerance	Efficiency	ta	tc	Size	Approval
SLT3-350IS-1	AC220-240V	0.50C	350mA	1.0-3.2W	3-9V	+/-8%	72.0%	-20-50°C	80°C	50x30x20mm	CE, SELV, EMC
SLT3-700IS-1	AC220-240V	0.50C	700mA	1.4-2.9W	2-4.2V	+/-8%	67.0%	-20-45°C	85°C	50x30x20mm	CE, SELV, EMC

Basic Series Fix SLT3-350/700ISC SLT4-500ISC



Dimensions: (mm/inch)

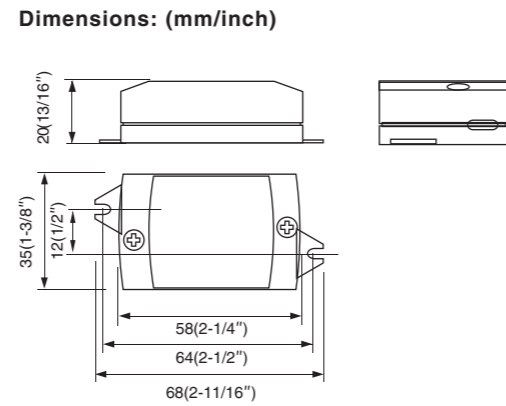


- Compact dimensions
- Built-in power supply for constant current LED lamp
- With output and input flying leads
- Ripple free
- IP66 water-proof design(enclosure only)
- Open circuit ,short circuit ,over load and over temperature protection
- Auto restart after fault conditions removal
- Warranty : 3 Years

Specifications

Model	Rated input	PF	Output	Output Power range	Output voltage range	Tolerance	Efficiency	ta	tc	Size	Approval
SLT3-350ISC	AC100-240V	0.60C@100-120V 0.45C@220-240V	350mA	1.1-4.2W	3-12V	+/-10%	66.0%	-20-50°C	85°C	52x30x23mm (2-1/16"x1-3/16"x15/16")	CE, SELV, EMC
SLT3-700ISC	AC100-240V	0.60C@100-120V 0.45C@220-240V	700mA	2.1-3.2W	3-4.5V	+/-10%	49.0%	-20-50°C	85°C	52x30x23mm (2-1/16"x1-3/16"x15/16")	CE, SELV, EMC
SLT4-500ISC	AC100-240V	0.60C@100-120V 0.45C@220-240V	500mA	1.5-4.75W	3-9.5V	+/-10%	63.0%	-20-50°C	85°C	52x30x23mm (2-1/16"x1-3/16"x15/16")	CE, SELV, EMC

Basic Series Fix SLT6-350/500/700IL-4

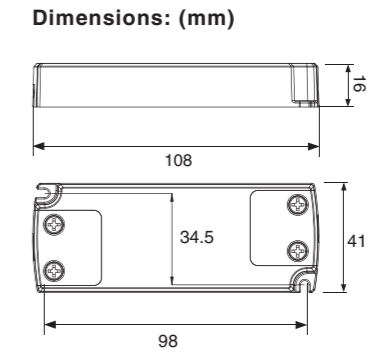
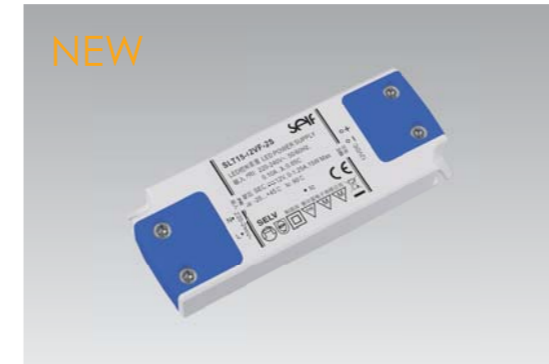


- Constant voltage or constant current depending on the LED load connected
- Compact dimensions
- Independent power supply for constant voltage or constant current LED lamp
- Class II protection against electric shock from direct and indirect contact
- Ripple free
- Open circuit, short circuit, over load and over temperature protection
- Auto restart after fault conditions removal
- Warranty: 3 Years

Specifications

Model	Rated input	PF	Output		Output Power range		Output voltage range		Tolerance	Efficiency	ta	tc	Size	Approval
			CV version	CC version	CV version	CC version	CV version	CC version						
SLT6-350IL-4	AC100-240V	0.40C	24VDC	350mA	0-6W	1-7.7W	-	3-22V	+/-5%	76.5%	-20-50°C	75°C	68x35x20mm (2-11/16"x1-3/8"x13/16")	CE, SELV, EMC
SLT6-500IL-4	AC100-240V	0.40C	-	500mA	-	1.5-6W	-	3-12V	+/-5%	70.0%	-20-50°C	75°C	68x35x20mm (2-11/16"x1-3/8"x13/16")	CE, SELV, EMC
SLT6-700IL-4	AC100-240V	0.40C	12VDC	700mA	0-6W	2-5.9W	-	3-8.4V	+/-5%	70.0%	-20-40°C	70°C	68x35x20mm (2-11/16"x1-3/8"x13/16")	CE, SELV, EMC

Basic Series Fix SLT15-12/24VF-2S



- Independent power supply for constant voltage LED lamp
- Class II protection against electric shock from direct and indirect contact
- Start-up time ≤0.5s
- No load power consumption ≤0.5W
- Open circuit, short circuit, over load and over temperature protection
- Auto restart after removal of fault conditions
- Warranty: 3 Years

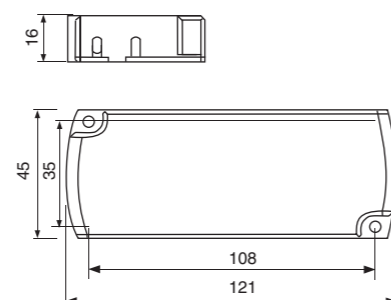
Specifications

Model	Rated input	PF	Output	Output Power range	Output voltage range	Tolerance	Efficiency	ta	tc	Size	Approval
SLT15-12VF-2S	AC220-240V	0.85C	12VDC	0-15W	-	+/-3%	81.0%	-20-45°C	90°C	108x41x16mm	CE, pending
SLT15-24VF-2S	AC220-240V	0.85C	24VDC	0-15W	-	+/-3%	83.0%	-20-45°C	90°C	108x41x16mm	CE, pending

Basic Series Fix SLT20-12/24VF-2S



Dimensions: (mm)



- Independent power supply for constant voltage LED lamp
- Class II protection against electric shock from direct and indirect contact
- Start-up time $\leq 0.5s$
- No load power consumption $\leq 0.5W$
- Open circuit, short circuit, over load and over temperature protection
- Auto restart after removal of fault conditions
- Warranty: 3 Years

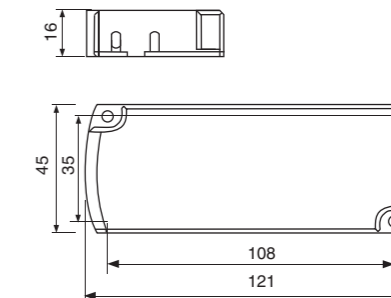
Specifications

Model	Rated input	PF	Output	Output Power range	Output voltage range	Tolerance	Efficiency	ta	tc	Size	Approval
SLT20-12VF-2S	AC220-240V	0.85C	12VDC	0-20W	-	+/-3%	82.0%	-20-45°C	90°C	121x45x16mm	CE pending
SLT20-24VF-2S	AC220-240V	0.85C	24VDC	0-20W	-	+/-3%	83.0%	-20-45°C	90°C	121x45x16mm	CE pending

Basic Series Fix SLT20-350/700IF-2S



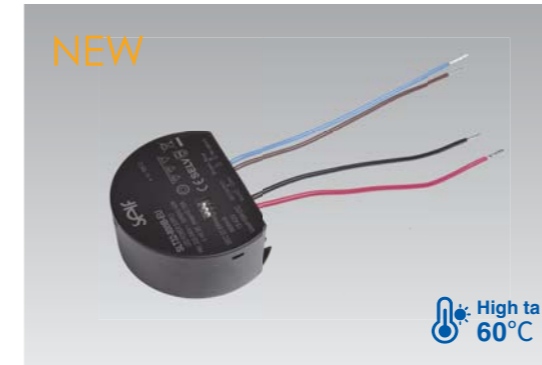
Dimensions: (mm)



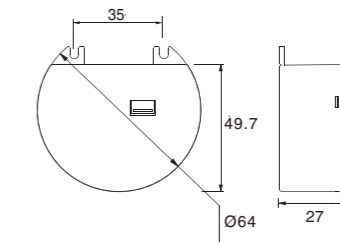
- Independent power supply for constant current LED lamp
- Ripple free
- Class II protection against electric shock from direct and indirect contact
- Start-up time $\leq 0.5s$
- No load power consumption $\leq 0.5W$
- Open circuit, short circuit, over load and over temperature protection
- Auto restart after removal of fault conditions
- Warranty: 3 Years

Specifications

Model	Rated input	PF	Output	Output Power range	Output voltage range	Tolerance	Efficiency	ta	tc	Size	Approval
SLT20-350IF-2S	AC220-240V	0.85C	350mA	2.1-19.6W	6-56V	+/-5%	80.0%	-20-45°C	90°C	121x45x16mm	CE pending
SLT20-700IF-2S	AC220-240V	0.85C	700mA	4.2-20.3W	6-29V	+/-5%	79.0%	-20-45°C	90°C	121x45x16mm	CE pending



Dimensions: (mm)



- High thermal conduct plastic housing
- High ta 60°C
- Class II protection against electric shock from direct and indirect contact
- SELV output
- Optional wire-to-wire connector for quick assembling
- Open circuit, short circuit, over load protection
- Auto restart after removal of fault conditions
- Warranty : 5 Years

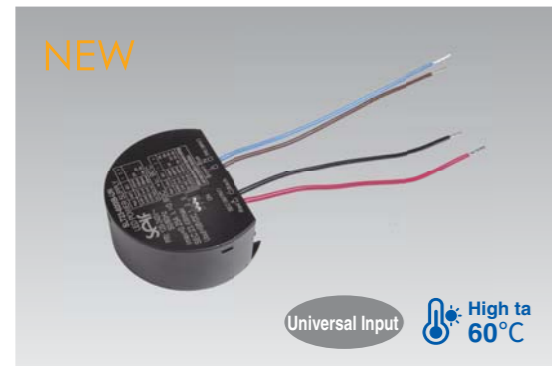
Specifications

Model	Rated input	PF	Output	Output Power range	Output voltage range	Tolerance	Efficiency	ta	tc	Size	Approval
SLT16-400IB-EU1	AC220-240V	0.95	400mA	8-16.8W	20-42V	±10%	85.0%	-20-50°C	85°C	Ø64x27mm	CE pending
SLT18-450IB-EU1	AC220-240V	0.95	450mA	9-18.9W	20-42V	±10%	85.0%	-20-50°C	85°C	Ø64x27mm	CE pending
SLT21-500IB-EU1	AC220-240V	0.95	500mA	10-21W	20-42V	±10%	85.0%	-20-50°C	85°C	Ø64x27mm	CE pending
SLT22-550IB-EU1	AC220-240V	0.95	550mA	11-23.1W	20-42V	±10%	85.5%	-20-50°C	85°C	Ø64x27mm	CE pending
SLT24-600IB-EU1	AC220-240V	0.95	600mA	12-25.2W	20-42V	±10%	85.5%	-20-50°C	85°C	Ø64x27mm	CE pending
SLT26-650IB-EU1	AC220-240V	0.95	650mA	13-27.3W	20-42V	±10%	86.0%	-20-50°C	85°C	Ø64x27mm	CE pending
SLT28-700IB-EU1	AC220-240V	0.95	700mA	14-29.4W	20-42V	±10%	86.0%	-20-50°C	85°C	Ø64x27mm	CE pending
SLT30-750IB-EU1	AC220-240V	0.95	750mA	15-31W	20-42V	±10%	86.0%	-20-50°C	85°C	Ø64x27mm	CE pending
SLT32-800IB-EU	AC220-240V	0.95	800mA	14.4-33.6W	18-42V	±10%	87.0%	-20-50°C	85°C	Ø64x27mm	CE pending
SLT34-850IB-EU	AC220-240V	0.95	850mA	15.3-35.7W	18-42V	±10%	87.0%	-20-50°C	85°C	Ø64x27mm	CE pending
SLT36-900IB-EU	AC220-240V	0.95	900mA	16.2-37.8W	18-42V	±10%	87.5%	-20-50°C	85°C	Ø64x27mm	CE pending
SLT38-950IB-EU	AC220-240V	0.95	950mA	17.1-39.9W	18-42V	±10%	87.5%	-20-50°C	85°C	Ø64x27mm	CE pending
SLT40-1000IB-EU	AC220-240V	0.95	1000mA	18-42W	18-42V	±10%	88.0%	-20-50°C	85°C	Ø64x27mm	CE pending
SLT42-1050IB-EU	AC220-240V	0.95	1050mA	18.9-42W	18-40V	±10%	88.0%	-20-50°C	85°C	Ø64x27mm	CE pending
SLT43-1100IB-EU	AC220-240V	0.95	1100mA	19.8-42.9W	18-39V	±10%	88.0%	-20-50°C	85°C	Ø64x27mm	CE pending
SLT44-1150IB-EU	AC220-240V	0.95	1150mA	20.7-43.7W	18-38V	±10%	88.0%	-20-50°C	85°C	Ø64x27mm	CE pending

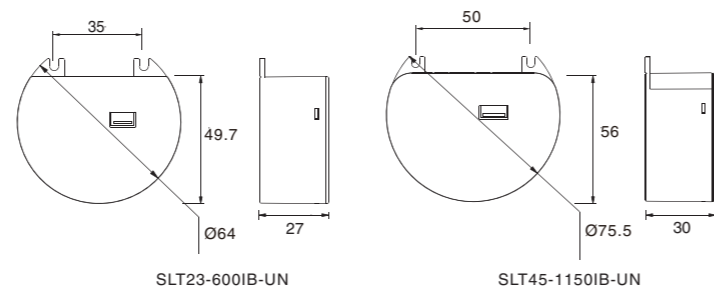
High Ta Series

Fix

SLT23-600IB-UN
SLT45-1150IB-UN



Dimensions: (mm)



- High thermal conduct plastic housing
- High ta 60°C (50000 hours life time @ output 950mA)
- Class II protection against electric shock from direct and indirect contact
- SELV output
- Optional wire-to-wire connector for quick assembling
- Open circuit, short circuit, over load protection
- Auto restart after removal of fault conditions
- Warranty : 5 Years

SLT23-600IB-UN

DIP switch

Pout	Uo(V)	SEC	1	2	3
8.4W	20-42	200mA	-	-	-
10.5W	16-42	250mA	ON	-	-
12.6W	13-42	300mA	-	ON	-
14.7W	11-42	350mA	ON	ON	-

Pout	Uo(V)	SEC	1	2	3
18.9W	9-42	450mA	-	-	ON
21.0W	8-42	500mA	ON	-	ON
23.1W	7-42	550mA	-	ON	ON
23.4W	6-39	600mA	ON	ON	ON

Before use, always check dip switch settings and read installation instructions

SLT45-1150IB-UN

DIP switch

Po(W)	Uo(V)	SEC(mA)	1	2	3	4
16.8	10-42	400	-	-	-	-
18.9	9-42	450	ON	-	-	-
21.0	8-42	500	-	ON	-	-
23.1	7-42	550	ON	ON	-	-

Po(W)	Uo(V)	SEC(mA)	1	2	3	4
25.2	7-42	600	-	-	ON	-
27.3	6-42	650	ON	-	ON	-
29.4	6-42	700	-	ON	ON	-
31.5	6-42	750	ON	ON	ON	-
33.6	6-42	800	-	-	-	ON
35.7	6-42	850	ON	-	-	ON
37.8	6-42	900	-	ON	-	ON
39.9	6-42	950	ON	ON	-	ON
42.0	6-42	1050	-	-	ON	ON
44.1	6-42	1050	ON	-	ON	ON
44.0	6-40	1100	-	ON	ON	ON
44.9	6-39	1150	ON	ON	ON	ON

Specifications

Model	Rated input	PF	Output	Output Power range	Output voltage range	Tolerance	Efficiency	ta	tc	Size	Approval
SLT23-600IB-UN	AC120-240V	0.7-0.95	200mA	4.0-8.4W	20-42V	+/-10%	78.0%	-20-60°C	90°C	Ø64x27mm	CE SELV pending
	AC120-240V	0.7-0.95	250mA	4.0-10.5W	16-42V	+/-10%	80.0%	-20-60°C	90°C	Ø64x27mm	CE SELV pending
	AC120-240V	0.7-0.95	300mA	4.0-12.6W	13-42V	+/-10%	82.0%	-20-60°C	90°C	Ø64x27mm	CE SELV pending
	AC120-240V	0.7-0.95	350mA	4.0-16.8W	11-42V	+/-10%	83.0%	-20-60°C	90°C	Ø64x27mm	CE SELV pending
	AC120-240V	0.7-0.95	450mA	4.0-18.9W	9-42V	+/-10%	84.0%	-20-60°C	90°C	Ø64x27mm	CE SELV pending
	AC120-240V	0.7-0.95	500mA	4.0-21W	8-42V	+/-10%	85.0%	-20-60°C	90°C	Ø64x27mm	CE SELV pending
	AC120-240V	0.7-0.95	550mA	4.0-23.1W	7-42V	+/-10%	85.0%	-20-60°C	90°C	Ø64x27mm	CE SELV pending
	AC120-240V	0.7-0.95	600mA	4.0-23.4W	6-39V	+/-10%	85.0%	-20-60°C	90°C	Ø64x27mm	CE SELV pending
	AC120-240V	0.7-0.95	400mA	4.0-16.8W	10-42V	+/-10%	85.0%	-20-60°C	90°C	Ø75.5x30mm	CE SELV pending
	AC120-240V	0.7-0.95	450mA	4.0-18.9W	9-42V	+/-10%	86.0%	-20-60°C	90°C	Ø75.5x30mm	CE SELV pending
AC120-240V	0.7-0.95	500mA	4.0-21W	8-42V	+/-10%	86.5%	-20-60°C	90°C	Ø75.5x30mm	CE SELV pending	
AC120-240V	0.7-0.95	550mA	4.0-23.1W	7-42V	+/-10%	87.0%	-20-60°C	90°C	Ø75.5x30mm	CE SELV pending	
AC120-240V	0.7-0.95	600mA	4.0-23.4W	7-42V	+/-10%	87.0%	-20-60°C	90°C	Ø75.5x30mm	CE SELV pending	
AC120-240V	0.7-0.95	650mA	4.0-27.3W	6-42V	+/-10%	87.5%	-20-60°C	90°C	Ø75.5x30mm	CE SELV pending	
AC120-240V	0.7-0.95	700mA	4.2-29.4W	6-42V	+/-10%	87.5%	-20-60°C	90°C	Ø75.5x30mm	CE SELV pending	
AC120-240V	0.7-0.95	750mA	4.5-31.5W	6-42V	+/-10%	88.0%	-20-60°C	90°C	Ø75.5x30mm	CE SELV pending	
AC120-240V	0.7-0.95	800mA	4.8-33.6W	6-42V	+/-10%	88.0%	-20-60°C	90°C	Ø75.5x30mm	CE SELV pending	
AC120-240V	0.7-0.95	850mA	5.1-35.7W	6-42V	+/-10%	88.5%	-20-60°C	90°C	Ø75.5x30mm	CE SELV pending	
AC120-240V	0.7-0.95	900mA	5.4-37.8W	6-42V	+/-10%	88.5%	-20-60°C	90°C	Ø75.5x30mm	CE SELV pending	
AC240V	0.7-0.95	950mA	5.7-39.9W	6-42V	+/-10%	88.5%	-20-60°C	90°C	Ø75.5x30mm	CE pending	
AC240V	0.7-0.95	1000mA	6-42W	6-42V	+/-10%	88.5%	-20-60°C	90°C	Ø75.5x30mm	CE pending	
AC240V	0.7-0.95	1050mA	6.3-44.1W	6-42V	+/-10%	88.5%	-20-60°C	90°C	Ø75.5x30mm	CE pending	
AC240V	0.7-0.95	1100mA	6.6-44W	6-40V	+/-10%	88.5%	-20-60°C	90°C	Ø75.5x30mm	CE pending	
AC240V	0.7-0.95	1150mA	6.9-44.9W	6-39V	+/-10%	88.5%	-20-60°C	90°C	Ø75.5x30mm	CE pending	
AC120V	0.95	950mA	5.7-39W	6-41V	+/-10%	88.5%	-20-60°C	90°C	Ø75.5x30mm	SELV pending	
AC120V	0.95	1000mA	6-39W	6-39V	+/-10%	88.5%	-20-60°C	90°C	Ø75.5x30mm	SELV pending	

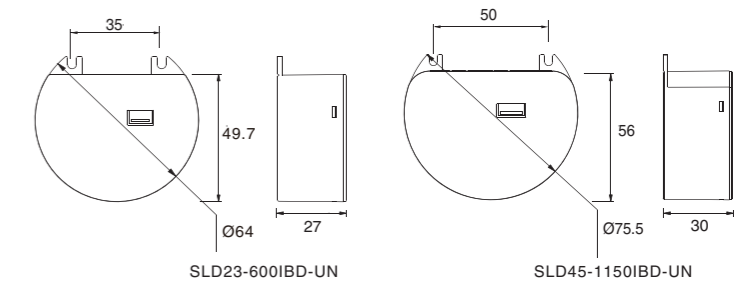
High Ta Series

DALI2

SLD23-600IBD-UN
SLD45-1150IBD-UN



Dimensions: (mm)



- High thermal conduct plastic housing
- High ta 60°C (50000 hours life time @ output 950mA)
- Class II protection against electric shock from direct and indirect contact
- 0.1-100% dimming range by DALI2
- SELV output
- Optional wire-to-wire connector for quick assembling
- Open circuit, short circuit, over load protection
- Auto restart after removal of fault conditions
- Comply with DALI2.0
- Warranty : 5 Years

SLD23-600IBD-UN

DIP switch

Pout	Uo(V)	SEC	1	2	3
8.4W	20-42	200mA	-	-	-
10.5W	16-42	250mA	ON	-	-
12.6W	13-42	300mA	-	ON	-
14.7W	11-42	350mA	ON	ON	-

Pout	Uo(V)	SEC	1	2	3
18.9W	9-42	450mA	-	-	ON
21.0W	8-42	500mA	ON	-	ON
23.1W	7-42	550mA	-	ON	ON
23.4W	6-39	600mA	ON	ON	ON

Before use, always check dip switch settings and read installation instructions

SLD45-1150IBD-UN

DIP switch

Po(W)	Uo(V)	SEC(mA)	1	2	3	4
16.8	10-42	400	-	-	-	-
18.9	9-42	450	ON	-	-	-
21.0	8-42	500	-	ON	-	-
23.1	7-42	550	ON	ON	-	-
25.2	7-42	600	-	-	-	ON

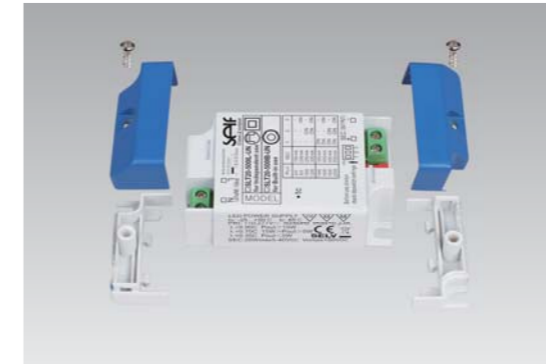
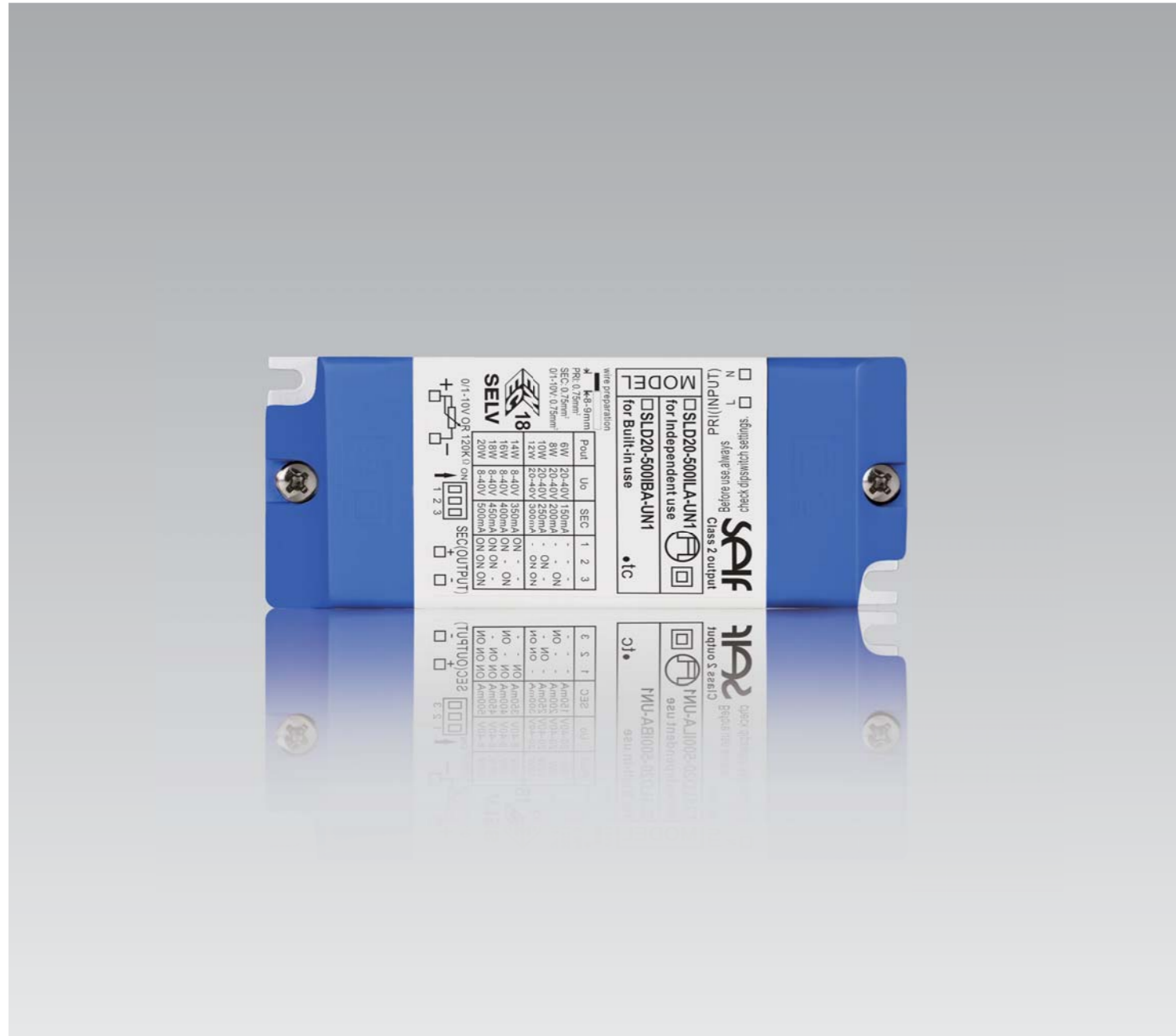
Po(W)	Uo(V)	SEC(mA)	1	2	3	4
27.3	6-42	650	ON	-	ON	-
29.4	6-42	700	-	ON	ON	-
31.5	6-42	750	ON	ON	ON	-
33.6	6-42	800	-	-	-	ON
35.7	6-42	850	ON	-	-	ON
37.8	6-42	900	-	ON	-	ON
39.9	6-42	950	ON	ON	-	ON
42.0	6-42	1050	-	-	ON	ON
44.1	6-42	1050	ON	-	ON	ON
44.0	6-40	1100	-	ON	ON	ON
44.9	6-39	1150	ON	ON	ON	ON

Before use, always check dip switch settings and read installation instructions

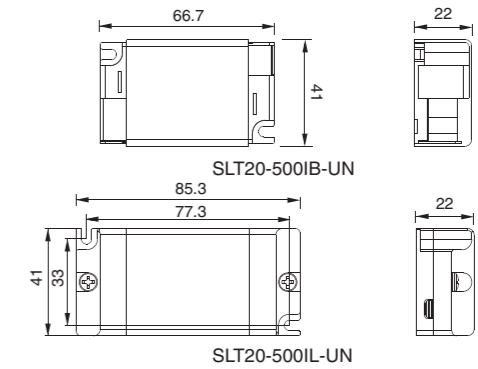
Specifications

Model	Rated input	PF	Output	Output Power range	Output voltage range	Tolerance	Efficiency	ta	tc	Size	Approval
SLD23-600IBD-UN	AC120-240V	0.7-0.95	200mA	4.0-8.4W	20-42V	+/-10%	78.0%	-20-50°C	90°C	Ø64x27mm	CE SELV pending
	AC120-240V	0.7-0.95	250mA	4.0-10.5W	16-42V	+/-10%	80.0%	-20-50°C	90°C	Ø64x27mm	CE SELV pending
	AC120-240V	0.7-0.95	300mA	4.0-12.6W	13-42V	+/-10%	82.0%	-20-50°C	90°C	Ø64x27mm	CE SELV pending
	AC120-240V	0.7-0.95	350mA	4.0-16.8W	11-42V	+/-10%	83.0%	-20-50°C	90°C	Ø64x27mm	CE SELV pending
	AC120-240V	0.7-0.95	450mA	4.0-18.9W	9-42V	+/-10%	84.0%	-20-50°C	90°C	Ø64x27mm	CE SELV pending
	AC120-240V	0.7-0.95	500mA	4.0-21W	8-42V	+/-10%	85.0%	-20-50°C	90°C	Ø64x27mm	CE SELV pending
	AC120-240V	0.7-0.95	550mA	4.0-23.1W	7-42V	+/-10%	85.0%	-20-50°C	90°C	Ø64x27mm	CE SELV pending
	AC120-240V	0.7-0.95	600mA	4.0-23.4W	6-39V	+/-10%	85.0%	-20-50°C	90°C	Ø64x27mm	CE SELV pending
	AC120-240V	0.7-0.95	400mA	4.0-16.8W	10-42V	+/-10%	85.0%	-20-50°C	90°C	Ø75.5x30mm	CE SELV pending
	AC120-240V	0.7-0.95	450mA	4.0-18.9W	9-42V	+/-10%	86.0%	-20-50°C	90°C	Ø75.5x30mm	CE SELV pending
AC120-240V	0.7-0.95	500mA	4.0-21W	8-42V	+/-10%	86.5%	-20-50°C	90°C	Ø75.5x30mm	CE SELV pending	
AC120-240V	0.7-0.95	550mA	4.0-23.1W	7-42V	+/-10%	87.0%	-20-50°C	90°C	Ø75.5x30mm	CE SELV pending	
AC120-240V	0.7-0.95	600mA	4.0-23.4W	7-42V	+/-10%	87.0%	-20-50°C	90°C	Ø75.5x30mm	CE SELV pending	
AC120-240V	0.7-0.95	650mA	4.0-27.3W	6-42V	+/-10%	87.5%	-20-50°C	90°C	Ø75.5x30mm	CE SELV pending	
AC120-240V	0.7-0.95	700mA	4.2-29.4W	6-42V	+/-10%	87.5%	-20-50°C	90°C	Ø75.5x30mm	CE SELV pending	
AC120-240V	0.7-0.95	750mA	4.5-31.5W	6-42V	+/-10%	88.0%	-20-50°C	90°C	Ø75.5x30mm	CE SELV pending	
AC120-240V	0.7-0.95	800mA	4.8-33.6W	6-42V	+/-10%	88.0%	-20-50°C	90°C	Ø75.5x30mm	CE SELV pending	
AC120-240V	0.7-0.95	850mA	5.1-35.7W	6-42V	+/-10%	88.5%	-20-50°C	90°C	Ø75.5x30mm	CE SELV pending	
AC120-240V	0.7-0.95	900mA	5.4-37.8W	6-42V	+/-10%	88.5%	-20-50°C	90°C	Ø75.5x30mm	CE SELV pending	
AC240V	0.7-0.95	950mA	5.7-39.9W	6-42V	+/-10%	88.5%	-20-50°C	90°C	Ø75.5x30mm	CE pending	
AC240V	0.7-0.95	1000mA	6-42W	6-42V	+/-10%	88.5%	-20-50°C	90°C	Ø75.5x30mm	CE pending	
AC240V	0.7-0.95	1050mA	6.3-44.1W	6-42V	+/-10%	88.5%	-20-50°C	90°C	Ø75.5x30mm	CE pending	
AC240V	0.7-0.95	1100mA	6.								

SLT20-500IL-UN(for independent use)
SLT20-500IB-UN(for built-in use)



Dimensions: (mm)



CLASS 2 output (optional)

- Multipower driver supplied with dip-switch for the selection of the output current.
- Class II protection against electric shock from direct and indirect contact
- Driver for built-in or independent use.
- Reinforced EMC function suitable for both Class I and Class II luminaire
- Ripple free
- Start-up time $\leq 0.5S$
- Open circuit, short circuit, over load and over temperature protection
- Auto restart after fault conditions removal
- Warranty :5 Years

SLT20-500IL-UN
SLT20-500IB-UN

DIP switch

Pout	SEC	1	2	3
6W	150mA	-	-	-
8W	200mA	-	-	ON
10W	250mA	-	ON	-
12W	300mA	-	ON	ON
14W	350mA	ON	-	-
16W	400mA	ON	-	ON
18W	450mA	ON	ON	-
20W	500mA	ON	ON	ON

Specifications

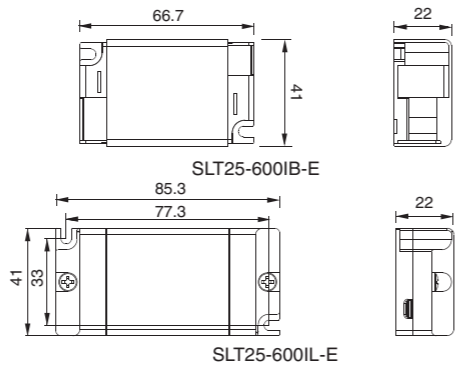
Model	Rated input	PF	Output	Output Power range	Output voltage range	Tolerance	Efficiency	ta	tc	Size	Approval
	AC110-277V	0.70C	150mA	0.75-6W	5-40V	+/-5%	85.0%	-25-50°C	85°C		
	AC110-277V	0.70C	200mA	1-8W	5-40V	+/-5%	85.0%	-25-50°C	85°C		
	AC110-277V	0.70C	250mA	1.25-10W	5-40V	+/-5%	85.0%	-25-50°C	85°C	66.7x41x22mm (SLT20-500IB-UN)	
SLT20-500IB-UN	AC110-277V	0.70C	300mA	1.5-12W	5-40V	+/-5%	85.0%	-25-50°C	85°C		
	AC110-277V	0.70C	350mA	1.75-14W	5-40V	+/-5%	85.0%	-25-50°C	85°C	85.3x41x22mm (SLT20-500IL-UN)	
SLT20-500IL-UN	AC110-277V	0.90C	400mA	2-16W	5-40V	+/-5%	85.0%	-25-50°C	85°C		
	AC110-277V	0.90C	450mA	2.25-18W	5-40V	+/-5%	85.0%	-25-50°C	85°C		
	AC110-277V	0.90C	500mA	2.5-20W	5-40V	+/-5%	85.0%	-25-50°C	85°C		

Compact Series Fix

SLT25-600IL-E(for independent use)
SLT25-600IB-E(for built-in use)



Dimensions: (mm)



- Multipower driver supplied with dip-switch for the selection of the output current.
- Class II protection against electric shock from direct and indirect contact
- Driver for built-in or independent use.
- Reinforced EMC function suitable for both Class I and Class II luminaire
- Ripple free
- Start-up time ≤0.5S
- Open circuit,short circuit,over load and over temperature protection
- Auto restart after fault conditions removal
- Warranty :5 Years

SLT25-600IL-E
SLT25-600IB-E

DIP switch

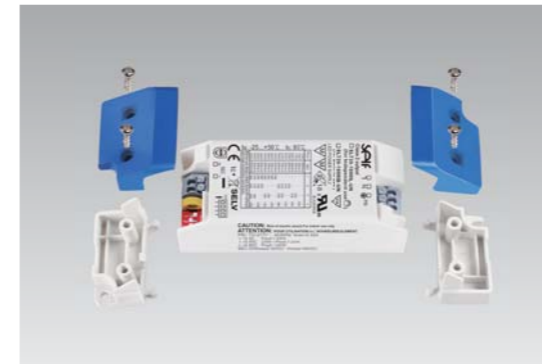
Pout	SEC	1	2	3
10.5W	250mA	-	-	-
12.6W	300mA	ON	-	-
14.7W	350mA	-	ON	-
16.8W	400mA	ON	ON	-
18.9W	450mA	-	-	ON
21.0W	500mA	ON	-	ON
23.1W	550mA	-	ON	ON
25.2W	600mA	ON	ON	ON

Specifications

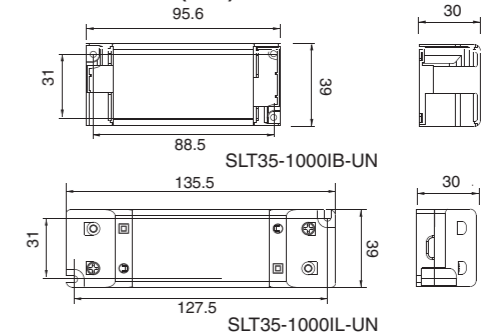
Model	Rated input	PF	Output	Output Power range	Output voltage range	Tolerance	Efficiency	ta	tc	Size	Approval
SLT25-600IB-E	AC220-240V	0.80C	250mA	6.7-10.5W	27-42V	+/-7%	87.0%	-20-50°C	90°C	66.7x41x22mm (SLT25-600IB-E)	CE
	AC220-240V	0.80C	300mA	8.1-12.6W	27-42V	+/-7%	87.0%	-20-50°C	90°C		
	AC220-240V	0.80C	350mA	9.4-14.7W	27-42V	+/-7%	87.0%	-20-50°C	90°C		
SLT25-600IL-E	AC220-240V	0.80C	400mA	10.8-16.8W	27-42V	+/-7%	87.0%	-20-50°C	90°C	85.3x41x22mm (SLT25-600IL-E)	CE
	AC220-240V	0.80C	450mA	12.2-18.9W	27-42V	+/-7%	87.0%	-20-50°C	90°C		
	AC220-240V	0.80C	500mA	13.5-21W	27-42V	+/-7%	87.0%	-20-50°C	90°C		
	AC220-240V	0.90C	550mA	14.8-23.1W	27-42V	+/-7%	87.0%	-20-50°C	90°C		
	AC220-240V	0.90C	600mA	16.2-25.2W	27-42V	+/-7%	87.0%	-20-50°C	90°C		

Compact Series Fix

SLT35-1000IL-UN(for independent use)
SLT35-1000IB-UN(for built-in use)



Dimensions: (mm)



- Multipower driver supplied with dip-switch for the selection of the output current.
- Class II protection against electric shock from direct and indirect contact
- Push in terminal block for quick connection
- Driver for built-in or independent use.
- Reinforced EMC function suitable for both Class I and Class II luminaire
- Ripple free
- Start-up time ≤0.5S
- Open circuit,short circuit,over load and over temperature protection
- Auto restart after fault conditions removal
- Warranty :5 Years

SLT35-1000IL-UN
SLT35-1000IB-UN
DIP switch

Pout	SEC	1	2	3	4
12W	250mA	-	-	-	-
15W	300mA	-	-	-	ON
17W	350mA	-	-	ON	-
20W	400mA	-	-	ON	ON
22W	450mA	-	ON	-	-
25W	500mA	-	ON	-	ON
27W	550mA	-	ON	ON	-
30W	600mA	-	ON	ON	ON
32W	650mA	ON	-	-	-
35W	700mA	ON	-	-	ON
35W	750mA	ON	-	ON	-
35W	800mA	ON	-	ON	ON
35W	850mA	ON	ON	-	-
35W	900mA	ON	ON	-	ON
35W	950mA	ON	ON	ON	-
35W	1000mA	ON	ON	ON	ON

Specifications

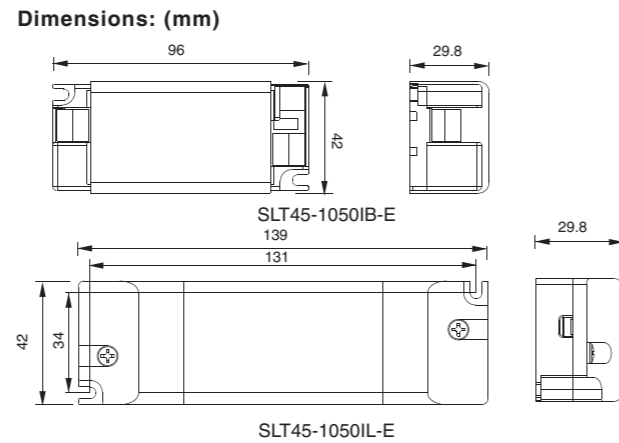
Model	Rated input	PF	Output	Output Power range	Output voltage range	Tolerance	Efficiency	ta	tc	Size	Approval
SLT35-1000IB-UN	AC110-277V	0.75C	250mA	0.5-12W	2-50V	+/-5%	84.7%	-25-50°C	90°C	95.6x39x30mm (SLT35-1000IB-UN)	CE
	AC110-277V	0.75C	300mA	0.6-15W	2-50V	+/-5%	86.2%	-25-50°C	90°C		
	AC110-277V	0.75C	350mA	0.7-17W	2-50V	+/-5%	87.0%	-25-50°C	90°C		
	AC110-277V	0.75C	400mA	0.8-20W	2-50V	+/-5%	87.4%	-25-50°C	90°C		
	AC110-277V	0.85C	450mA	0.9-22W	2-50V	+/-5%	87.9%	-25-50°C	90°C		
	AC110-277V	0.85C	500mA	1-25W	2-50V	+/-5%	88.2%	-25-50°C	90°C		
	AC110-277V	0.90C	550mA	1.1-27W	2-50V	+/-5%	88.3%	-25-50°C	90°C		
	AC110-277V	0.90C	600mA	1.2-30W	2-50V	+/-5%	88.8%	-25-50°C	90°C		
	AC110-277V	0.90C	650mA	1.3-32W	2-50V	+/-5%	88.9%	-25-50°C	90°C		
	AC110-277V	0.90C	700mA	1.4-35W	2-50V	+/-5%	88.8%	-25-50°C	90°C		
SLT35-1000IL-UN	AC110-277V	0.90C	750mA	1.5-35W	2-47V	+/-5%	88.6%	-25-50°C	90°C	135.5x39x30mm (SLT35-1000IL-UN)	CE
	AC110-277V	0.90C	800mA	1.6-35W	2-43V	+/-5%	88.3%	-25-50°C	90°C		
	AC110-277V	0.90C	850mA	1.7-35W	2-41V	+/-5%	88.1%	-25-50°C	90°C		
	AC110-277V	0.90C	900mA	1.8-35W	2-39V	+/-5%	87.9%	-25-50°C	90°C		
	AC110-277V	0.90C	950mA	1.9-35W	2-37V	+/-5%	87.6%	-25-50°C	90°C		
	AC110-277V	0.90C	1000mA	2-35W	2-35V	+/-5%	86.6%	-25-50°C	90°C		

Compact Series

Fix

SLT45-1050IL-E(for independent use)

SLT45-1050IB-E(for built-in use)



- Multipower driver supplied with dip-switch for the selection of the output current.
- Class II protection against electric shock from direct and indirect contact
- Push in terminal block for quick connection
- Driver for built-in or independent use.
- Reinforced EMC function suitable for both Class I and Class II luminaire
- Ripple free
- Start-up time ≤0.5S
- Open circuit, short circuit, over load and over temperature protection
- Auto restart after fault conditions removal
- Warranty :5 Years

SLT45-1050IL-E
SLT45-1050IB-E

DIP switch

Pout	SEC	1	2	3
29.4W	700mA	-	-	-
31.5W	750mA	ON	-	-
33.6W	800mA	-	ON	-
35.7W	850mA	ON	ON	-
37.8W	900mA	-	-	ON
39.9W	950mA	ON	-	ON
42W	1000mA	-	ON	ON
42W	1050mA	ON	ON	ON

Specifications

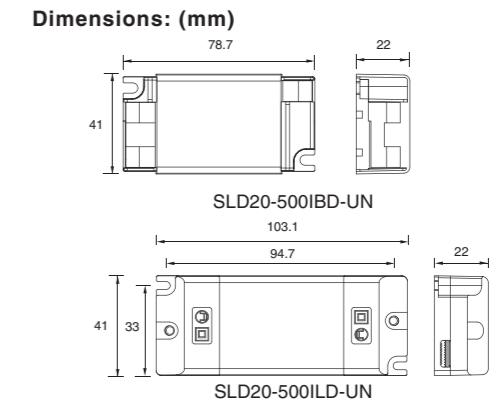
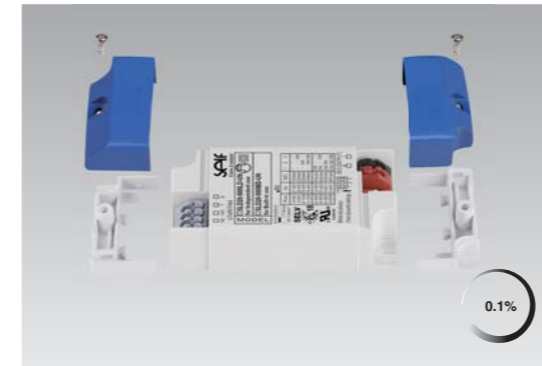
Model	Rated input	PF	Output	Output Power range	Output voltage range	Tolerance	Efficiency	ta	tc	Size	Approval
SLT45-1050IB-E	AC220-240V	0.95	700mA	18.9-29.4W	27-42V	+/-5%	89.3%	-25-50°C	85°C	96x42x29.8mm (SLT45-1050IB-E)	CE, SELV, DALI2
	AC220-240V	0.95	750mA	20.3-31.5W	27-42V	+/-5%	89.4%	-25-50°C	85°C		
	AC220-240V	0.95	800mA	21.6-33.6W	27-42V	+/-5%	89.4%	-25-50°C	85°C		
	AC220-240V	0.95	850mA	22.9-35.7W	27-42V	+/-5%	89.4%	-25-50°C	85°C		
SLT45-1050IL-E	AC220-240V	0.95	900mA	24.3-37.8W	27-42V	+/-5%	89.3%	-25-50°C	85°C	139x42x29.8mm (SLT45-1050IL-E)	CE, SELV, DALI2
	AC220-240V	0.95	950mA	25.6-39.9W	27-42V	+/-5%	89.3%	-25-50°C	85°C		
	AC220-240V	0.95	1000mA	27-42W	27-42V	+/-5%	89.3%	-25-50°C	85°C		
	AC220-240V	0.95	1050mA	28.3-42W	27-40V	+/-5%	88.7%	-25-50°C	85°C		

Compact Series

DALI2

SLD20-500ILD-UN(for independent use)

SLD20-500IBD-UN(for built-in use)



- Independent or built-in power supply for constant current LED lamp
- Multipower driver supplied with dip-switch for the selection of the output current from 150-500mA
- Class II protection against electric shock from direct and indirect contact
- 0.1-100% dimming range by DALI2
- Push-in terminal block for quick connection
- Reinforced EMC function suitable for both Class I and Class II luminaire
- Ripple free in all dimming range
- Start-up time ≤0.5S
- Open circuit, short circuit, over load and over temperature protection
- Auto restart after fault conditions removal
- Warranty :5 Years

SLD20-500ILD-UN
SLD20-500IBD-UN*

DIP switch

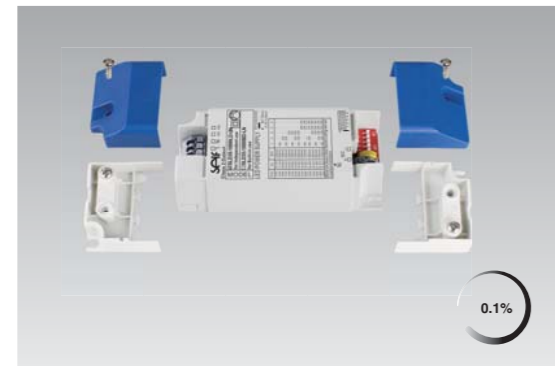
Pout	Uo	SEC	1	2	3
4-6W	27-40V	150mA	-	-	-
4-8W	20-40V	200mA	-	-	ON
4-10W	16-40V	250mA	-	ON	-
4-12W	14-40V	300mA	-	ON	ON
4-14W	12-40V	350mA	ON	-	-
4-16W	10-40V	400mA	ON	-	ON
4-18W	9-40V	450mA	ON	ON	-
4-20W	8-40V	500mA	ON	ON	ON

Specifications

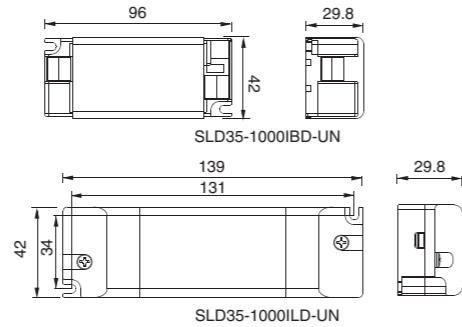
Model	Rated input	PF	Output	Output Power range	Output voltage range	Tolerance	Efficiency	ta	tc	Size	Approval
SLD20-500IBD-UN	AC110-277V	0.84C	150mA	4-6W	27-40V	+/-10%	83.0%	-25-50°C	90°C	78.7x41x22mm (SLD20-500IBD-UN)	CE, SELV, DALI2
	AC110-277V	0.89C	200mA	4-8W	20-40V	+/-10%	83.0%	-25-50°C	90°C		
	AC110-277V	0.91C	250mA	4-10W	16-40V	+/-10%	83.0%	-25-50°C	90°C		
SLD20-500ILD-UN	AC110-277V	0.93C	300mA	4-12W	14-40V	+/-10%	83.0%	-25-50°C	90°C	103.1x41x22mm (SLD20-500ILD-UN)	CE, SELV, DALI2
	AC110-277V	0.94C	350mA	4-14W	12-40V	+/-10%	83.0%	-25-50°C	90°C		
	AC110-277V	0.95	400mA	4-16W	10-40V	+/-10%	83.0%	-25-50°C	90°C		
	AC110-277V	0.95	450mA	4-18W	9-40V	+/-10%	83.0%	-25-50°C	90°C		
	AC110-277V	0.95	500mA	4-20W	8-40V	+/-10%	83.0%	-25-50°C	90°C		

Compact Series DALI2

SLD35-1000ILD-UN(for independent use)
SLD35-1000IBD-UN(for built-in use)



Dimensions: (mm)



CLASS 2
output



- Independent or built-in power supply for constant current LED lamp
- Multipower driver supplied with dip-switch for the selection of the output current from 250-1000mA
- Class II protection against electric shock from direct and indirect contact
- 0.1-100% dimming range by DALI2
- Push-in terminal block for quick connection
- Reinforced EMC function suitable for both Class I and Class II luminaire
- Ripple free in all dimming range
- Start-up time ≤0.5S
- Open circuit, short circuit, over load and over temperature protection
- Auto restart after fault conditions removal
- Warranty :5 Years

SLD35-1000ILD-UN
SLD35-1000IBD-UN*
DIP switch

Pout	Uo	SEC	1	2	3	4	5
11W	20-42V	250mA	-	-	-	-	-
13W	15-42V	300mA	ON	-	-	-	-
15W	8-42V	350mA	-	ON	-	-	-
17W	8-42V	400mA	ON	ON	-	-	-
19W	8-42V	450mA	-	-	ON	-	-
21W	8-42V	500mA	ON	-	ON	-	-
23W	8-42V	550mA	-	ON	ON	-	-
25W	8-42V	600mA	ON	ON	ON	-	-
27W	8-42V	650mA	-	-	ON	ON	-
30W	8-42V	700mA	ON	-	ON	ON	-
32W	8-42V	750mA	-	ON	-	ON	ON
34W	8-42V	800mA	ON	ON	-	ON	ON
35W	8-41V	850mA	-	-	ON	ON	ON
35W	8-39V	900mA	ON	-	ON	ON	ON
35W	8-37V	950mA	ON	ON	ON	ON	ON
35W	8-35V	1000mA	ON	ON	ON	ON	ON

Before use, always check dipswitch settings and read installation instructions

Specifications

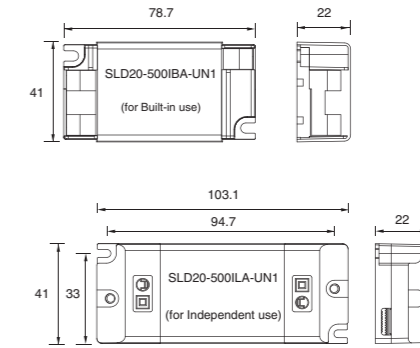
Model	Rated input	PF	Output	Output Power range	Output voltage range	Tolerance	Efficiency	ta	tc	Size	Approval
	AC110-277V	0.83C	250mA	5-10.5W	20-42V	+/-5%	85.0%	-20-50°C	90°C		
	AC110-277V	0.86C	300mA	4.5-12.6W	15-42V	+/-5%	85.0%	-20-50°C	90°C		
	AC110-277V	0.88C	350mA	2.8-14.7W	8-42V	+/-5%	85.0%	-20-50°C	90°C		
	AC110-277V	0.90C	400mA	3.2-16.8W	8-42V	+/-5%	85.0%	-20-50°C	90°C		
	AC110-277V	0.91C	450mA	3.6-18.9W	8-42V	+/-5%	85.0%	-20-50°C	90°C		
	AC110-277V	0.93C	500mA	4-21W	8-42V	+/-5%	85.0%	-20-50°C	90°C		
SLD35-1000IBD-UN	AC110-277V	0.94C	550mA	4.4-23.1W	8-42V	+/-5%	85.0%	-20-50°C	90°C	96x42x29.8mm (SLD35-1000IBD-UN)	
	AC110-277V	0.94C	600mA	4.8-25.2W	8-42V	+/-5%	85.0%	-20-50°C	90°C		
SLD35-1000ILD-UN	AC110-277V	0.95	650mA	5.2-27.3W	8-42V	+/-5%	85.0%	-20-50°C	90°C	139x42x29.8mm (SLD35-1000ILD-UN)	
	AC110-277V	0.95	700mA	5.6-29.4W	8-42V	+/-5%	85.0%	-20-50°C	90°C		
	AC110-277V	0.95	750mA	6-31.5W	8-42V	+/-5%	85.0%	-20-50°C	90°C		
	AC110-277V	0.95	800mA	6.4-33.6W	8-42V	+/-5%	85.0%	-20-50°C	90°C		
	AC110-277V	0.95	850mA	6.8-34.9W	8-41V	+/-5%	85.0%	-20-50°C	90°C		
	AC110-277V	0.95	900mA	7.2-35.1W	8-39V	+/-5%	85.0%	-20-50°C	90°C		
	AC110-277V	0.95	950mA	7.6-35.2W	8-37V	+/-5%	85.0%	-20-50°C	90°C		
	AC110-277V	0.95	1000mA	8-35W	8-35V	+/-5%	85.0%	-20-50°C	90°C		

Compact Series 0/1-10V

SLD20-500ILA-UN1(for independent use)
SLD20-500IBA-UN1(for built-in use)



Dimensions: (mm)



- Independent or built-in power supply for constant current LED lamp
- Multipower driver supplied with dip-switch for the selection of the output current from 150-500mA
- Class II protection against electric shock from direct and indirect contact
- 1-100% dimming range by 0/1-10V
- Push-in terminal block for quick connection
- Reinforced EMC function suitable for both Class I and Class II luminaire
- Ripple free in all dimming range
- Start-up time ≤0.5S
- Open circuit, short circuit, over load and over temperature protection
- Auto restart after fault conditions removal
- Warranty :5 Years

SLD20-500ILA-UN1
SLD20-500IBA-UN1*

DIP switch

Pout	Uo	SEC	1	2	3
6W	20-40V	150mA	-	-	-
8W	20-40V	200mA	-	-	ON
10W	20-40V	250mA	-	ON	-
12W	20-40V	300mA	-	ON	ON
14W	8-40V	350mA	ON	-	-
16W	8-40V	400mA	ON	-	ON
18W	8-40V	450mA	ON	ON	-
20W	8-40V	500mA	ON	ON	ON

Specifications

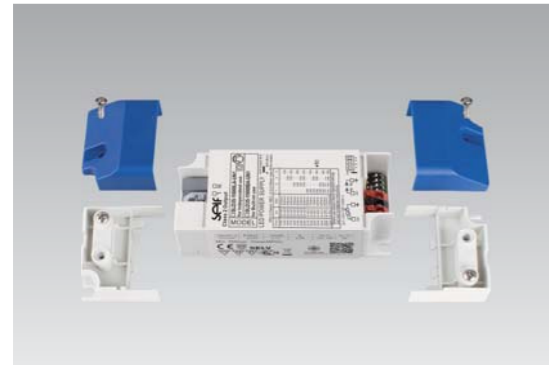
Model	Rated input	PF	Output	Output Power range	Output voltage range	Tolerance	Efficiency	ta	tc	Size	Approval
	AC110-277V	0.95	150mA	3-6W	20-40V	+/-10%	85.0%	-20-50°C	85°C		
	AC110-277V	0.95	200mA	4-8W	20-40V	+/-10%	85.0%	-20-50°C	85°C		
	AC110-277V	0.95	250mA	5-10W	20-40V	+/-10%	85.0%	-20-50°C	85°C		
SLD20-500IBA-UN1	AC110-277V	0.95	300mA	6-12W	20-40V	+/-10%	85.0%	-20-50°C	85°C	78.7x41x22mm (SLD20-500IBA-UN1)	
SLD20-500ILA-UN1	AC110-277V	0.95	350mA	2.8-14W	8-40V	+/-10%	85.0%	-20-50°C	85°C	103.1x41x22mm (SLD20-500ILA-UN1)	
	AC110-277V	0.95	400mA	3.2-16W	8-40V	+/-10%	85.0%	-20-50°C	85°C		
	AC110-277V	0.95	450mA	3.6-18W	8-40V	+/-10%	85.0%	-20-50°C	85°C		
	AC110-277V	0.95	500mA	4.8-20W	8-40V	+/-10%	85.0%	-20-50°C	85°C		

Compact Series

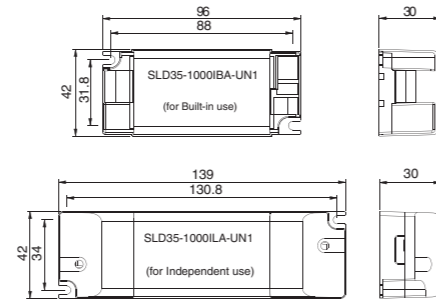
0/1-10V

SLD35-1000ILA-UN1(for independent use)

SLD35-1000IBA-UN1(for built-in use)



Dimensions: (mm)



- Independent or built-in power supply for constant current LED lamp
- Multipower driver supplied with dip-switch for the selection of the output current from 250-1000mA
- Class II protection against electric shock from direct and indirect contact
- 1-100% dimming range by 0/1-10V
- Push-in terminal block for quick connection
- Reinforced EMC function suitable for both Class I and Class II luminaire
- Ripple free in all dimming range
- Start-up time $\leq 0.5S$
- Open circuit, short circuit, over load and over temperature protection
- Auto restart after fault conditions removal
- Warranty :5 Years

SLD35-1000ILA-UN1
SLD35-1000IBA-UN1*
DIP switch

Pout	Uo	SEC	1	2	3	4	Pout	Uo	SEC	1	2	3	4
11W	20-42V	250mA	-	-	-	-	27W	8-42V	850mA	ON	-	-	-
13W	20-42V	300mA	-	-	-	ON	30W	8-42V	700mA	ON	-	-	ON
15W	20-42V	350mA	-	-	ON	-	32W	8-42V	750mA	ON	-	ON	-
17W	20-42V	400mA	-	-	ON	ON	34W	8-42V	800mA	ON	-	ON	ON
19W	20-42V	450mA	-	ON	-	-	35W	8-41V	850mA	ON	ON	-	-
21W	20-42V	500mA	-	ON	-	ON	35W	8-39V	900mA	ON	ON	-	ON
23W	20-42V	550mA	-	ON	ON	-	35W	8-37V	950mA	ON	ON	ON	-
25W	20-42V	600mA	-	ON	ON	ON	35W	8-35V	1000mA	ON	ON	ON	ON

Specifications

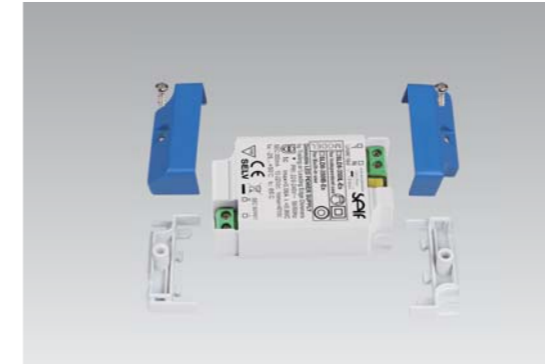
Model	Rated input	PF	Output	Output Power range	Output voltage range	Tolerance	Efficiency	ta	tc	Size	Approval
	AC110-277V	0.95	250mA	5-10.5W	20-42V	+/-10%	86.0%	-20-50°C	90°C		
	AC110-277V	0.95	300mA	6-12.6W	20-42V	+/-10%	86.0%	-20-50°C	90°C		
	AC110-277V	0.95	350mA	7-14.7W	20-42V	+/-10%	86.0%	-20-50°C	90°C		
	AC110-277V	0.95	400mA	8-16.8W	20-42V	+/-10%	86.0%	-20-50°C	90°C		
	AC110-277V	0.95	450mA	9-18.9W	20-42V	+/-7%	86.0%	-20-50°C	90°C		
SLD35-1000IBA-UN1	AC110-277V	0.95	500mA	10-21W	20-42V	+/-7%	86.0%	-20-50°C	90°C	96x42x30mm	
	AC110-277V	0.95	550mA	11-23.1W	20-42V	+/-7%	86.0%	-20-50°C	90°C	(SLD35-1000IBA-UN1)	
	AC110-277V	0.95	600mA	12-25.2W	20-42V	+/-7%	86.0%	-20-50°C	90°C		UL CE
SLD35-1000ILA-UN1	AC110-277V	0.95	650mA	5.2-27.3W	8-42V	+/-7%	86.0%	-20-50°C	90°C	139x42x30mm	
	AC110-277V	0.95	700mA	5.6-29.4W	8-42V	+/-5%	86.0%	-20-50°C	90°C	(SLD35-1000ILA-UN1)	
	AC110-277V	0.95	750mA	6-31.5W	8-42V	+/-5%	86.0%	-20-50°C	90°C		
	AC110-277V	0.95	800mA	6.4-33.6W	8-42V	+/-5%	86.0%	-20-50°C	90°C		
	AC110-277V	0.95	850mA	6.8-34.9W	8-41V	+/-5%	86.0%	-20-50°C	90°C		
	AC110-277V	0.95	900mA	7.2-35.1W	8-39V	+/-5%	86.0%	-20-50°C	90°C		
	AC110-277V	0.95	950mA	7.6-35.2W	8-37V	+/-5%	86.0%	-20-50°C	90°C		
	AC110-277V	0.95	1000mA	8-35W	8-35V	+/-5%	86.0%	-20-50°C	90°C		

Compact Series

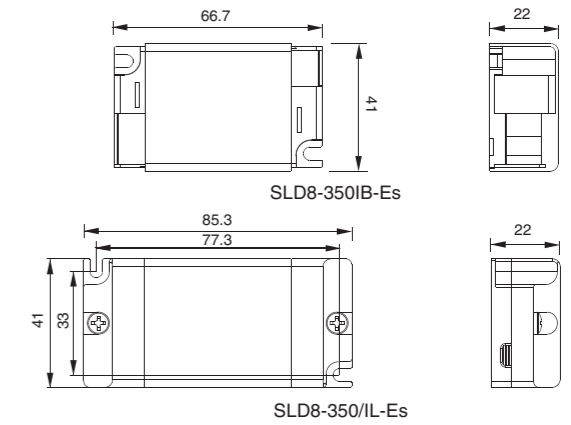
Triac

SLD8-350IL-Es (for independent use)

SLD8-350IB-Es (for built-in use)



Dimensions: (mm)



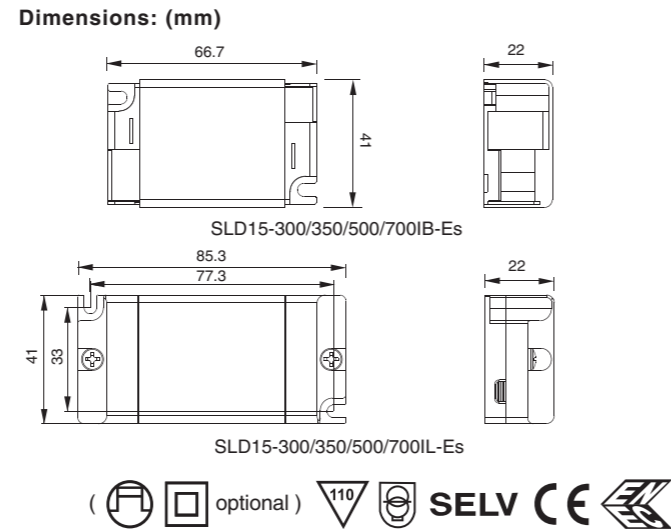
- Driver for built-in or independent use.
- Triac dimmable power supply for constant current LED lamp
- The output current of the power supply could be dimmed between 10%-100% by trailing edge or leading edge dimmers
- Ripple free in all dimming range
- High compatible for different dimmers
- Open circuit, short circuit, over load and over temperature protection
- Auto restart after fault conditions removal
- Warranty :5 Years

Specifications

Model	Rated input	PF	Output	Output Power range	Output voltage range	Tolerance	Efficiency	ta	tc	Size	Approval
SLD8-350IL-Es	AC220-240V	0.90C	350mA	4.2-7.7W	12-22V	+/-7%	72.0%	-25-45°C	85°C	85.3x41x22mm	CE pending
SLD8-350IB-Es	AC220-240V	0.90C	350mA	4.2-7.7W	12-22V	+/-7%	72.0%	-25-45°C	85°C	66.7x41x22mm	CE pending

Compact Series Triac

SLD15-300/350/500/700IL-Es(for independent use)
SLD15-300/350/500/700IB-Es(for built-in use)



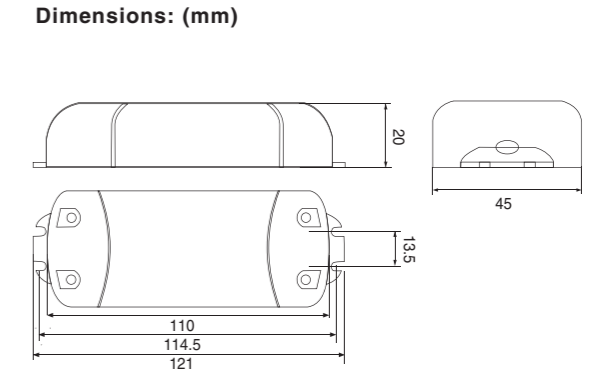
- Driver for built-in or independent use.
- Used for lighting equipment in protection class I and II
- The output current of the power supply could be dimmed between 10%-100% by trailing edge or leading edge dimmers
- Ripple free in all dimming range
- High compatible for different dimmers
- Open circuit, short circuit, over load and over temperature protection
- Auto restart after fault conditions removal
- Ripple free in all dimming range
- Warranty :5 Years

Specifications

Model	Rated input	PF	Output	Output Power range	Output voltage range	Tolerance	Efficiency	ta	tc	Size	Approval
SLD15-300IL-Es	AC220-240V	0.95	300mA	7.2-14.4W	24-48V	+/-5%	83.0%	-25-50	85°C	85.3x41x22mm	
SLD15-350IL-Es	AC220-240V	0.95	350mA	8.4-14.7W	24-42V	+/-5%	83.5%	-25-50	85°C	85.3x41x22mm	
SLD15-500IL-Es	AC220-240V	0.95	500mA	8.5-15W	17-30V	+/-5%	80.0%	-25-50	85°C	85.3x41x22mm	
SLD15-700IL-Es	AC220-240V	0.95	700mA	6.3-15.4W	9-22V	+/-5%	80.0%	-25-50	85°C	85.3x41x22mm	
SLD15-300IB-Es	AC220-240V	0.95	300mA	7.2-14.4W	24-48V	+/-5%	83.0%	-25-50	85°C	66.7x41x22mm	
SLD15-350IB-Es	AC220-240V	0.95	350mA	8.4-14.7W	24-42V	+/-5%	83.5%	-25-50	85°C	66.7x41x22mm	
SLD15-500IB-Es	AC220-240V	0.95	500mA	8.5-15W	17-30V	+/-5%	80.0%	-25-50	85°C	66.7x41x22mm	
SLD15-700IB-Es	AC220-240V	0.95	700mA	6.3-15.4W	9-22V	+/-5%	80.0%	-25-50	85°C	66.7x41x22mm	

Compact Series Triac

SLD20-350/500/700IL-Es

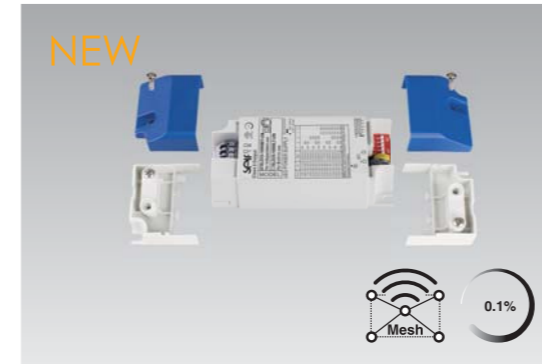
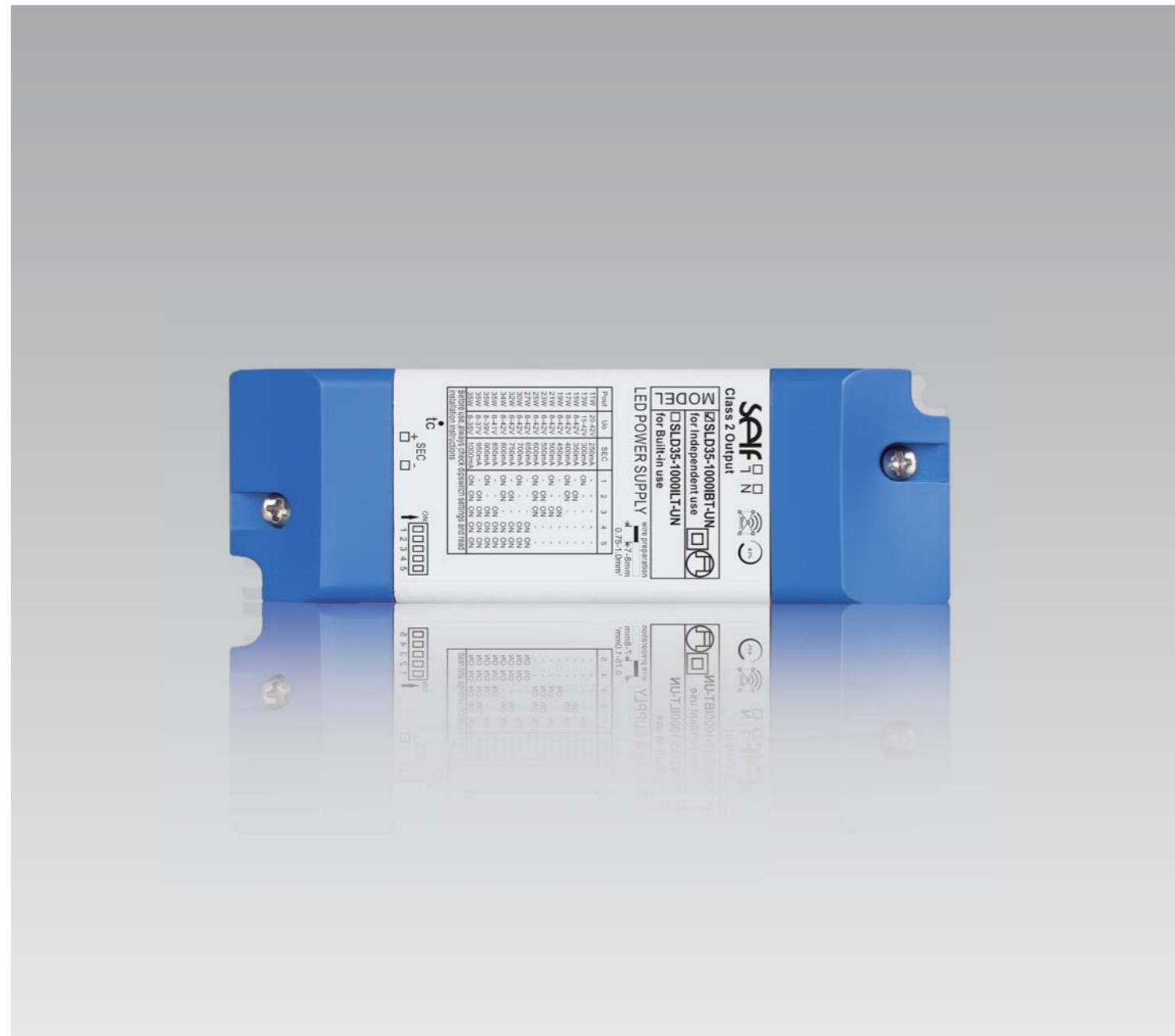


- Independent dimmable power supply for constant current LED lamp
- Class II protection against electric shock from direct and indirect contact
- The output current of the power supply could be dimmed between 10%-100% by trailing edge or leading edge dimmers
- Ripple free in all dimming range
- High compatible for different dimmers
- Open circuit, short circuit, over load and over temperature protection
- Auto restart after fault conditions removal
- Warranty :5 Years

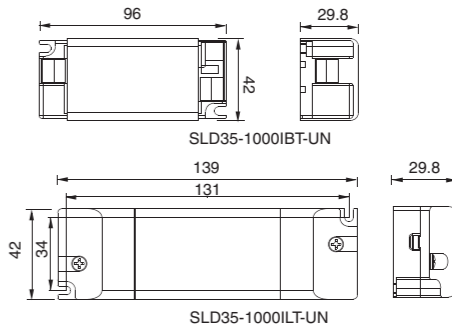
Specifications

Model	Rated input	PF	Output	Output Power range	Output voltage range	Tolerance	Efficiency	ta	tc	Size	Approval
SLD20-350IL-Es	AC220-240V	0.95	350mA	10.5-18.9W	30-54V	+/-8%	81.8%	-20-40°C	90°C	121x45x20mm	
SLD20-500IL-Es	AC220-240V	0.95	500mA	10-20W	20-40V	+/-8%	80.8%	-20-40°C	90°C	121x45x20mm	
SLD20-700IL-Es	AC220-240V	0.95	700mA	10.5-20.3W	15-29V	+/-8%	78.5%	-20-40°C	90°C	121x45x20mm	

SLD35-1000ILT-UN(for independent use)
SLD35-1000IBT-UN(for built-in use)



Dimensions: (mm)



- LED driver with BLE Mesh function, both APP and Remote control available
- Easy and reliable for net-working
- Independent or built-in power supply for constant current LED lamp
- Multipower driver supplied with dip-switch for the selection of the output current from 250-1000mA
- Class II protection against electric shock from direct and indirect contact
- 0.1-100% dimming range by DALI2
- Push-in terminal block for quick connection
- Reinforced EMC function suitable for both Class I and Class II luminaire
- Ripple free in all dimming range
- Start-up time ≤0.5S
- Open circuit, short circuit, over load and over temperature protection
- Auto restart after fault conditions removal
- Warranty :5 Years

SLD35-1000ILT-UN
SLD35-1000IBT-UN*
DIP switch

Pout	Uo	SEC	1	2	3	4	5
11W	20-42V	250mA	-	-	-	-	-
13W	15-42V	300mA	-	-	-	-	-
15W	8-42V	350mA	-	ON	-	-	-
17W	8-42V	400mA	ON	ON	-	-	-
19W	8-42V	450mA	-	-	ON	-	-
21W	8-42V	500mA	ON	-	ON	-	-
23W	8-42V	550mA	-	ON	ON	-	-
25W	8-42V	600mA	ON	ON	ON	-	-
27W	8-42V	650mA	-	-	-	ON	ON
30W	8-42V	700mA	ON	-	-	ON	ON
32W	8-42V	750mA	-	ON	-	ON	ON
34W	8-42V	800mA	ON	ON	-	ON	ON
35W	8-41V	850mA	-	-	ON	ON	ON
35W	8-39V	900mA	ON	-	ON	ON	ON
35W	8-37V	950mA	-	ON	ON	ON	ON
35W	8-35V	1000mA	ON	ON	ON	ON	ON

Before use, always check dipswitch settings and read installation instructions

Specifications

Model	Rated input	PF	Output	Output Power range	Output voltage range	Tolerance	Efficiency	ta	tc	Size	Approval
SLD35-1000IBT-UN	AC110-277V	0.83C	250mA	5-10.5W	20-42V	+/-5%	85.0%	-20-50°C	90°C	96x42x30mm (SLD35-1000IBT-UN)	DALI 2 RA pending CE
	AC110-277V	0.86C	300mA	4.5-12.6W	15-42V	+/-5%	85.0%	-20-50°C	90°C		
	AC110-277V	0.88C	350mA	2.8-14.7W	8-42V	+/-5%	85.0%	-20-50°C	90°C		
	AC110-277V	0.90C	400mA	3.2-16.8W	8-42V	+/-5%	85.0%	-20-50°C	90°C		
	AC110-277V	0.91C	450mA	3.6-18.9W	8-42V	+/-5%	85.0%	-20-50°C	90°C		
	AC110-277V	0.93C	500mA	4-21W	8-42V	+/-5%	85.0%	-20-50°C	90°C		
SLD35-1000ILT-UN	AC110-277V	0.94C	550mA	4.4-23.1W	8-42V	+/-5%	85.0%	-20-50°C	90°C	139x42x30mm (SLD35-1000ILT-UN)	DALI 2 RA pending CE
	AC110-277V	0.94C	600mA	4.8-25.2W	8-42V	+/-5%	85.0%	-20-50°C	90°C		
	AC110-277V	0.95	650mA	5.2-27.3W	8-42V	+/-5%	85.0%	-20-50°C	90°C		
	AC110-277V	0.95	700mA	5.6-29.4W	8-42V	+/-5%	85.0%	-20-50°C	90°C		
	AC110-277V	0.95	750mA	6-31.5W	8-42V	+/-5%	85.0%	-20-50°C	90°C		
	AC110-277V	0.95	800mA	6.4-33.6W	8-42V	+/-5%	85.0%	-20-50°C	90°C		
	AC110-277V	0.95	850mA	6.8-34.9W	8-41V	+/-5%	85.0%	-20-50°C	90°C		
	AC110-277V	0.95	900mA	7.2-35.1W	8-39V	+/-5%	85.0%	-20-50°C	90°C		
	AC110-277V	0.95	950mA	7.6-35.2W	8-37V	+/-5%	85.0%	-20-50°C	90°C		
	AC110-277V	0.95	1000mA	8-35W	8-35V	+/-5%	85.0%	-20-50°C	90°C		

Ultrathin Series

Fix

	Model	Type	Input	λ	Output	Output power range	Output voltage range	L x W x H	Approval
<i>Under development</i>	SLT30-12VFG-EU	CV	AC220-240V	0.95	30W/12V	0-30W	-	208x30x16mm	CE pending
	SLT30-24VFG-EU	CV	AC220-240V	0.95	30W/24V	0-30W	-	208x30x16mm	CE pending
	SLT30-12VFG	CV	AC 220-240V	0.95	30W/12V	0-30W	-	246x30x16mm	CE
	SLT30-24VFG	CV	AC 220-240V	0.95	30W/24V	0-30W	-	246x30x16mm	CE
	SLT60-12VFG-UN	CV	AC 120-240V	0.95	60W/12V	0-60W	-	298x29.8x16mm (11-3/4"x1-3/16"x5/8")	CE
	SLT60-24VFG-UN	CV	AC 120-240V	0.95	60W/24V	0-60W	-	298x29.8x16mm (11-3/4"x1-3/16"x5/8")	CE
	SLT60-48VFG-UN	CV	AC 120-240V	0.95	60W/48V	0-60W	-	298x29.8x16mm (11-3/4"x1-3/16"x5/8")	CE
	SLT75-12VFG	CV	AC 220-240V	0.95	75W/12V	0-75W	-	298x29.8x16mm	CE
	SLT75-24VFG	CV	AC 220-240V	0.95	75W/24V	0-75W	-	298x29.8x16mm	CE
	SLT100-12VFG	CV	AC 220-240V	0.95	96W/12V	0-100W	-	298x29.8x16mm (11-3/4"x1-3/16"x5/8")	CE
	SLT100-24VFG-UN	CV	AC 120-240V	0.95	100W/24V	0-100W@240V 0-80W@120V	-	298x29.8x16mm (11-3/4"x1-3/16"x5/8")	CE
	SLT100-48VFG-UN	CV	AC 120-240V	0.95	100W/48V	0-100W@240V 0-80W@120V	-	298x29.8x16mm (11-3/4"x1-3/16"x5/8")	CE
	SLT150-24VFG-UN	CV	AC120-240V	0.95	150W/24V	0-75W	-	384x30x22mm (15-1/8"x1-3/16"x7/8")	pending
	SLT150-48VFG-UN	CV	AC120-240V	0.95	150W/48V	0-75W	-	384x30x22mm (15-1/8"x1-3/16"x7/8")	pending
	SLT200-24VFG-UN	CV	AC120-240V	0.95	200W/24V	0-150W@120V 0-200W@220-240V	-	384x30x22mm (15-1/8"x1-3/16"x7/8")	CE
	SLT200-48VFG-UN	CV	AC120-240V	0.95	200W/48V	0-150W@120V 0-200W@220-240V	-	384x30x22mm (15-1/8"x1-3/16"x7/8")	CE
	SLT250-24VFG-EU	CV	AC120-240V	0.95	250W/24V	0-200W@120V 0-250W@220-240V	-	384x30x22mm (15-1/8"x1-3/16"x7/8")	CE
	SLT250-48VFG-EU	CV	AC120-240V	0.95	250W/48V	0-200W@120V 0-250W@220-240V	-	384x30x22mm (15-1/8"x1-3/16"x7/8")	CE
NEW	SLT75-24VFE-UN	CV	AC120-240V	0.95	75W/24V	0-75W	-	354x30x22mm (13-15/16"x1-3/16"x7/8")	pending
	SLT75-48VFE-UN	CV	AC120-240V	0.95	75W/48V	0-75W	-	354x30x22mm (13-15/16"x1-3/16"x7/8")	pending
NEW	SLT96-24VFE-UN	CV	AC120-240V	0.95	96W/24V	0-96W	-	354x30x22mm (13-15/16"x1-3/16"x7/8")	pending
	SLT96-48VFE-UN	CV	AC120-240V	0.95	96W/48V	0-96W	-	354x30x22mm (13-15/16"x1-3/16"x7/8")	pending
NEW	SLT150-24VFE-EU	CV	AC 220-240V	0.95	150W/24V	0-150W	-	354x30x22mm (13-15/16"x1-3/16"x7/8")	pending
	SLT150-48VFE-EU	CV	AC 220-240V	0.95	150W/48V	0-150W	-	354x30x22mm (13-15/16"x1-3/16"x7/8")	pending
NEW	SLT200-24VFE-EU	CV	AC 220-240V	0.95	200W/24V	0-200W	-	354x30x22mm (13-15/16"x1-3/16"x7/8")	pending
	SLT200-48VFE-EU	CV	AC 220-240V	0.95	200W/48V	0-200W	-	354x30x22mm (13-15/16"x1-3/16"x7/8")	pending

DALI2

	Model	Type	Input	λ	Output	Output power range	Output voltage range	L x W x H	Approval
NEW	SLD75-24VFD-EU	CV	AC220-240V	0.95	75W/24V	0-75W	-	402x30x22mm	optional
	SLD75-48VFD-EU	CV	AC220-240V	0.95	75W/48V	0-75W	-	402x30x22mm	EL optional
	SLD100-24VFD-EU	CV	AC220-240V	0.95	100W/24V	0-100W	-	402x30x22mm	optional
	SLD100-48VFD-EU	CV	AC220-240V	0.95	100W/48V	0-100W	-	402x30x22mm	EL optional

Ultrathin Series

DALI2

	Model	Type	Input	λ	Output	Output power range	Output voltage range	L x W x H	Approval
NEW	SLD150-24VFD-EU	CV	AC220-240V	0.95	150W/24V	0-150W	-	402x30x22mm	EL pending
	SLD150-48VFD-EU	CV	AC220-240V	0.95	150W/48V	0-150W	-	402x30x22mm	EL pending
	SLD200-24VFD-EU	CV	AC220-240V	0.95	200W/24V	0-200W	-	402x30x22mm	EL pending
	SLD200-48VFD-EU	CV	AC220-240V	0.95	200W/48V	0-200W	-	402x30x22mm	EL pending

Metalslim Series

Fix

	Model	Type	Input	λ	Output	Output power range	Output voltage range	L x W x H	Approval
	SLT30-12VFC-UN	CV	AC120-240V	0.95	30W/12V	0-30W	-	275x30x16mm (10-13/16"x1-3/16"x5/8")	pending
	SLT30-24VFC-UN	CV	AC120-240V	0.95	30W/24V	0-30W	-	275x30x16mm (10-13/16"x1-3/16"x5/8")	pending
	SLT75-12VFC-UN	CV	AC120-240V	0.95	75W/12V	0-60W@120Vac 0-75W@220-240Vac	-	333x30x16mm (13-1/8"x1-3/16"x5/8")	pending
	SLT75-24VFC-UN	CV	AC120-240V	0.95	75W/24V	0-75W	-	333x30x16mm (13-1/8"x1-3/16"x5/8")	pending
	SLT100-24VFC-UN	CV	AC120-240V	0.95	100W/24V	0-75W@120V 0-100W@220-240V	-	333x30x16mm (13-1/8"x1-3/16"x5/8")	pending
	SLT96-12VLC-UN	CV	AC100-277V	0.95	96W/12V	0-96W	-	262x40x23mm (10-5/16"x1-9/16"x15/16")	
	SLT96-24VLC-UN	CV	AC100-277V	0.95	96W/24V	0-96W	-	262x40x23mm (10-5/16"x1-9/16"x15/16")	
<i>Under development</i>	SLD96-24VCA-UN	CV	AC100-277V	0.95	96W/24V	0-96W	-	226x40x23mm (8-7/8"x1-9/16"x7/8")	pending

Loop Series

Fix

	Model	Type	Input	λ	Output	Output power range	Output voltage range	L x W x H	Approval
NEW	SLT75-24VLE-UN	CV	AC 120-240V	0.95	75W/24V	0-75W	-	180x60x22mm	
	SLT75-48VLE-UN	CV	AC 120-240V	0.95	75W/48V	0-75W	-	180x60x22mm	
NEW	SLT96-24VLE-UN	CV	AC 120-240V	0.95	96W/24V	0-96W	-	180x60x22mm	
	SLT96-48VLE-UN	CV	AC 120-240V	0.95	96W/48V	0-96W	-	180x60x22mm	
NEW	SLT150-24VLE-EU	CV	AC 220-240V	0.95	150W/12V	0-150W	-	223x63x22mm	
	SLT150-48VLE-EU	CV	AC 220-240V	0.95	150W/24V	0-150W	-	223x63x22mm	
NEW	SLT200-24VLE-EU	CV	AC 220-240V	0.95	200W/12V	0-200W	-	223x63x22mm	
	SLT200-48VLE-EU	CV	AC 220-240V	0.95	200W/24V	0-200W	-	223x63x22mm	

Classic Series

Fix

	Model	Type	Input	λ	Output	Output power range	Output voltage range	L x W x H	Approval
NEW	SLT20-12VFC-1	CV	AC 220-240V	0.50C	30W/12V	0-20W	-	121x45x16mm	CE optional
	SLT20-24VFC-1	CV	AC 220-240V	0.50C	30W/24V	0-20W	-	121x45x16mm	CE optional
	SLT30-12VVG-Es	CV	AC220-240V	0.95	30W/12V	0-30W	-	165x40x30mm	CE
	SLT30-24VVG-Es	CV	AC220-240V	0.95	30W/24V	0-30W	-	165x40x30mm	CE
	SLT30-48VVG-Es	CV	AC220-240V	0.95	30W/48V	0-30W	-	165x40x30mm	CE
	SLT60-12VVG-E	CV	AC 220-240V	0.95	60W/12V	0-60W	-	188x45x30mm	CE
	SLT60-24VVG-E	CV	AC 220-240V	0.95	60W/24V	0-60W	-	188x45x30mm	CE
	SLT75-24VL-2	CV	AC 100-240V	0.95	75W/24V	0-75W	-	180x60x30mm (7-1/16"x2-3/8"x1-3/16")	CE
	SLT75-24VL-E	CV	AC 220-240V	0.95	75W/24V	0-75W	-	185x60x31mm	CE
NEW	SLT80-12VVG-E	CV	AC 220-240V	0.95	80W/24V	0-80W	-	188x45x30mm	CE pending
	SLT80-24VVG-E	CV	AC 220-240V	0.95	80W/24V	0-80W	-	188x45x30mm	CE pending
NEW	SLT100-24VVG-E	CV	AC 220-240V	0.95	100W/24V	0-100W	-	188x45x30mm	CE pending
	SLT150-24VVG-E	CV	AC 220-240V	0.95	150W/24V	0-150W	-	185x60x31mm	CE
	SLT150-48VVG-E	CV	AC 220-240V	0.95	150W/48V	0-150W	-	185x60x31mm	CE
	SLT250-24VVG-E	CV	AC 220-240V	0.95	250W/24V	0-250W	-	230x64.5x32.5mm	CE
	SLT250-48VVG-E	CV	AC 220-240V	0.95	250W/48V	0-250W	-	230x64.5x32.5mm	CE

High-Adaptability Triac

	Model	Type	Input	λ	Output	Output power range	Output voltage range	L x W x H	Approval
	SLD15-24VL-E	CV	AC 220-240V	0.95	15W/24V	0-15W	-	84x37x34mm	CE pending
	SLD30-12VL-E	CV	AC 220-240V	0.95	30W/12V	5-30W	-	145x50x22mm	CE
	SLD30-24VL-E	CV	AC 220-240V	0.95	30W/24V	5-30W	-	145x50x22mm	CE
	SLD75-12VL-E	CV	AC 220-240V	0.95	75W/12V	12-75W	-	185x60x31mm	CE
	SLD75-24VL-E	CV	AC 220-240V	0.95	75W/24V	12-75W	-	185x60x31mm	CE
	SLD120-24VL-E	CV	AC 220-240V	0.95	120W/24V	12-120W	-	223x64x32mm	CE

Basic Series

Fix

	Model	Type	Input	λ	Output	Output power range	Output voltage range	L x W x H	Approval
	SLT3-350IS-1	CC	AC 220-240V	0.50C	3W/350mA	1.0-3.2W	3-9V	50x30x20mm	CE
	SLT3-700IS-1	CC	AC 220-240V	0.50C	3W/700mA	1.4-2.9W	2-4.2V	50x30x20mm	CE
	SLT3-350ISC	CC	AC100-240V	0.60C@100-120V 0.45C@220-240V	3W/350mA	1.1-4.2W	3-12V	52x30x23mm (2-1/16"x1-3/16"x15/16")	CE
	SLT3-700ISC	CC	AC100-240V	0.60C@100-120V 0.45C@220-240V	3W/700mA	2.1-3.2W	3-4.5V	52x30x23mm (2-1/16"x1-3/16"x15/16")	CE
	SLT4-500ISC	CC	AC100-240V	0.60C@100-120V 0.45C@220-240V	4W/500mA	1.5-4.75W	3-9.5V	52x30x23mm (2-1/16"x1-3/16"x15/16")	CE

	Model	Input	λ	Output	Output power range	Output voltage range	L x W x H	Approval		
				CV version	CC version	CV version	CC version			
	SLT6-350IL-4	AC100-240V	0.40C	6W/24V	6W/350mA	0-6W	1-7.7W	3-22V	68x35x20mm (2-11/16"x1-3/8"x13/16")	CE
	SLT6-500IL-4	AC100-240V	0.40C	-	6W/500mA	-	1.5-6W	3-12V	68x35x20mm (2-11/16"x1-3/8"x13/16")	CE
	CV&CC SLT6-700IL-4	AC100-240V	0.40C	6W/12V	6W/700mA	0-6W	2-5.9W	3-8.4V	68x35x20mm (2-11/16"x1-3/8"x13/16")	CE

	Model	Type	Input	λ	Output	Output power range	Output voltage range	L x W x H	Approval
NEW	SLT15-12VF-2S	CV	AC 220-240V	0.85C	15W/12V	0-15W	-	108x41x16mm	CE pending
	SLT15-24VF-2S	CV	AC 220-240V	0.70C	15W/24V	0-15W	-	108x41x16mm	CE pending
NEW	SLT20-12VF-2S	CV	AC 220-240V	0.85C	20W/12V	0-20W	-	121x45x16mm	CE pending
	SLT20-24VF-2S	CV	AC 220-240V	0.85C	20W/24V	0-20W	-	121x45x16mm	CE pending
NEW	SLT20-350IF-2S	CC	AC 220-240V	0.85C	20W/350mA	2.1-19.6W	6-56V	121x45x16mm	CE pending
	SLT20-700IF-2S	CC	AC 220-240V	0.85C	20W/700mA	4.2-20.3W	6-29V	121x45x16mm	CE pending



High Ta Series

Fix


	Model	Type	Input	λ	Output	Output power range	Output voltage range	L x W x H	Approval
	SLT16-400IB-EU1	CC	AC220-240V	0.95	400mA	8-16.8W	20-42V	Ø64x27mm	CE pending
	SLT18-450IB-EU1	CC	AC220-240V	0.95	450mA	9-18.9W	20-42V	Ø64x27mm	CE pending
	SLT21-500IB-EU1	CC	AC220-240V	0.95	500mA	10-21W	20-42V	Ø64x27mm	CE pending
	SLT22-550IB-EU1	CC	AC220-240V	0.95	550mA	11-23.1W	20-42V	Ø64x27mm	CE pending
	SLT24-600IB-EU1	CC	AC220-240V	0.95	600mA	12-25.2W	20-42V	Ø64x27mm	CE pending
	SLT26-650IB-EU1	CC	AC220-240V	0.95	650mA	13-27.3W	20-42V	Ø64x27mm	CE pending
	SLT28-700IB-EU1	CC	AC220-240V	0.95	700mA	14-29.4W	20-42V	Ø64x27mm	CE pending
	SLT30-750IB-EU1	CC	AC220-240V	0.95	750mA	15-31W	20-42V	Ø64x27mm	CE pending
	SLT32-800IB-EU	CC	AC220-240V	0.95	800mA	14.4-33.6W	18-42V	Ø64x27mm	CE pending
	SLT34-850IB-EU	CC	AC220-240V	0.95	850mA	15.3-35.7W	18-42V	Ø64x27mm	CE pending
	SLT36-900IB-EU	CC	AC220-240V	0.95	900mA	16.2-37.8W	18-42V	Ø64x27mm	CE pending
	SLT38-950IB-EU	CC	AC220-240V	0.95	950mA	17.1-39.9W	18-42V	Ø64x27mm	CE pending
	SLT40-1000IB-EU	CC	AC220-240V	0.95	1000mA	18-42W	18-42V	Ø64x27mm	CE pending
	SLT42-1050IB-EU	CC	AC220-240V	0.95	1050mA	18.9-42W	18-40V	Ø64x27mm	CE pending
	SLT43-1100IB-EU	CC	AC220-240V	0.95	1100mA	19.8-42.9W	18-39V	Ø64x27mm	CE pending
	SLT44-1150IB-EU	CC	AC220-240V	0.95	1150mA	20.7-43.7W	18-38V	Ø64x27mm	CE pending

High Ta Series

Fix


Model	Type	Input	λ	Output	Output power range	Output voltage range	L x W x H	Approval
 SLT23-600IB-UN	CC	AC120-240V	0.7-0.95	200mA	4.0-8.4W	20-42V	Ø64x27mm	CE, RoHS, pending
	CC	AC120-240V	0.7-0.95	250mA	4.0-10.5W	16-42V	Ø64x27mm	CE, RoHS, pending
	CC	AC120-240V	0.7-0.95	300mA	4.0-12.6W	13-42V	Ø64x27mm	CE, RoHS, pending
	CC	AC120-240V	0.7-0.95	350mA	4.0-16.8W	11-42V	Ø64x27mm	CE, RoHS, pending
	CC	AC120-240V	0.7-0.95	450mA	4.0-18.9W	9-42V	Ø64x27mm	CE, RoHS, pending
	CC	AC120-240V	0.7-0.95	500mA	4.0-21W	8-42V	Ø64x27mm	CE, RoHS, pending
	CC	AC120-240V	0.7-0.95	550mA	4.0-23.1W	7-42V	Ø64x27mm	CE, RoHS, pending
	CC	AC120-240V	0.7-0.95	600mA	4.0-23.4W	6-39V	Ø64x27mm	CE, RoHS, pending
 SLT45-1150IB-UN	CC	AC120-240V	0.7-0.95	400mA	4.0-16.8W	10-42V	Ø75.5x30mm	CE, RoHS, pending
	CC	AC120-240V	0.7-0.95	450mA	4.0-18.9W	9-42V	Ø75.5x30mm	CE, RoHS, pending
	CC	AC120-240V	0.7-0.95	500mA	4.0-21W	8-42V	Ø75.5x30mm	CE, RoHS, pending
	CC	AC120-240V	0.7-0.95	550mA	4.0-23.1W	7-42V	Ø75.5x30mm	CE, RoHS, pending
	CC	AC120-240V	0.7-0.95	600mA	4.0-23.4W	7-42V	Ø75.5x30mm	CE, RoHS, pending
	CC	AC120-240V	0.7-0.95	650mA	4.0-27.3W	6-42V	Ø75.5x30mm	CE, RoHS, pending
	CC	AC120-240V	0.7-0.95	700mA	4.2-29.4W	6-42V	Ø75.5x30mm	CE, RoHS, pending
	CC	AC120-240V	0.7-0.95	750mA	4.5-31.5W	6-42V	Ø75.5x30mm	CE, RoHS, pending
	CC	AC120-240V	0.7-0.95	800mA	4.8-33.6W	6-42V	Ø75.5x30mm	CE, RoHS, pending
	CC	AC120-240V	0.7-0.95	850mA	5.1-35.7W	6-42V	Ø75.5x30mm	CE, RoHS, pending
	CC	AC120-240V	0.7-0.95	900mA	5.4-37.8W	6-42V	Ø75.5x30mm	CE, RoHS, pending
	CC	AC240V	0.7-0.95	950mA	5.7-39.9W	6-42V	Ø75.5x30mm	CE, RoHS, pending
	CC	AC240V	0.7-0.95	1000mA	6-42W	6-42V	Ø75.5x30mm	CE, RoHS, pending
	CC	AC240V	0.7-0.95	1050mA	6.3-44.1W	6-42V	Ø75.5x30mm	CE, RoHS, pending
	CC	AC240V	0.7-0.95	1100mA	6.6-44W	6-40V	Ø75.5x30mm	CE, RoHS, pending
	CC	AC240V	0.7-0.95	1150mA	6.9-44.9W	6-39V	Ø75.5x30mm	CE, RoHS, pending
	CC	AC120V	0.95	950mA	5.7-39W	6-41V	Ø75.5x30mm	RoHS, pending
	CC	AC120V	0.95	1000mA	6-39W	6-39V	Ø75.5x30mm	RoHS, pending

DALI2

Model	Type	Input	λ	Output	Output power range	Output voltage range	L x W x H	Approval
 SLD23-600IBD-UN	CC	AC120-240V	0.7-0.95	200mA	4.0-8.4W	20-42V	Ø64x27mm	CE, RoHS, pending
	CC	AC120-240V	0.7-0.95	250mA	4.0-10.5W	16-42V	Ø64x27mm	CE, RoHS, pending
	CC	AC120-240V	0.7-0.95	300mA	4.0-12.6W	13-42V	Ø64x27mm	CE, RoHS, pending
	CC	AC120-240V	0.7-0.95	350mA	4.0-16.8W	11-42V	Ø64x27mm	CE, RoHS, pending
	CC	AC120-240V	0.7-0.95	450mA	4.0-18.9W	9-42V	Ø64x27mm	CE, RoHS, pending
	CC	AC120-240V	0.7-0.95	500mA	4.0-21W	8-42V	Ø64x27mm	CE, RoHS, pending
	CC	AC120-240V	0.7-0.95	550mA	4.0-23.1W	7-42V	Ø64x27mm	CE, RoHS, pending
	CC	AC120-240V	0.7-0.95	600mA	4.0-23.4W	6-39V	Ø64x27mm	CE, RoHS, pending



High Ta Series

DALI2



Model	Type	Input	λ	Output	Output power range	Output voltage range	L x W x H	Approval
 SLD45-1150IBD-UN	CC	AC120-240V	0.7-0.95	400mA	4.0-16.8W	10-42V	Ø75.5x30mm	CE, RoHS, pending
	CC	AC120-240V	0.7-0.95	450mA	4.0-18.9W	9-42V	Ø75.5x30mm	CE, RoHS, pending
	CC	AC120-240V	0.7-0.95	500mA	4.0-21W	8-42V	Ø75.5x30mm	CE, RoHS, pending
	CC	AC120-240V	0.7-0.95	550mA	4.0-23.1W	7-42V	Ø75.5x30mm	CE, RoHS, pending
	CC	AC120-240V	0.7-0.95	600mA	4.0-23.4W	7-42V	Ø75.5x30mm	CE, RoHS, pending
	CC	AC120-240V	0.7-0.95	650mA	4.0-27.3W	6-42V	Ø75.5x30mm	CE, RoHS, pending
	CC	AC120-240V	0.7-0.95	700mA	4.2-29.4W	6-42V	Ø75.5x30mm	CE, RoHS, pending
	CC	AC120-240V	0.7-0.95	750mA	4.5-31.5W	6-42V	Ø75.5x30mm	CE, RoHS, pending
	CC	AC120-240V	0.7-0.95	800mA	4.8-33.6W	6-42V	Ø75.5x30mm	CE, RoHS, pending
	CC	AC120-240V	0.7-0.95	850mA	5.1-35.7W	6-42V	Ø75.5x30mm	CE, RoHS, pending
	CC	AC120-240V	0.7-0.95	900mA	5.4-37.8W	6-42V	Ø75.5x30mm	CE, RoHS, pending
	CC	AC240V	0.7-0.95	950mA	5.7-39.9W	6-42V	Ø75.5x30mm	CE, RoHS, pending
	CC	AC240V	0.7-0.95	1000mA	6-42W	6-42V	Ø75.5x30mm	CE, RoHS, pending
	CC	AC240V	0.7-0.95	1050mA	6.3-44.1W	6-42V	Ø75.5x30mm	CE, RoHS, pending
	CC	AC240V	0.7-0.95	1100mA	6.6-44W	6-40V	Ø75.5x30mm	CE, RoHS, pending
	CC	AC240V	0.7-0.95	1150mA	6.9-44.9W	6-39V	Ø75.5x30mm	CE, RoHS, pending
	CC	AC120V	0.95	950mA	5.7-39W	6-41V	Ø75.5x30mm	RoHS, pending
	CC	AC120V	0.95	1000mA	6-39W	6-39V	Ø75.5x30mm	RoHS, pending

Compact Series


FIX

Model	Type	Input	λ	Output	Output power range	Output voltage range	L x W x H	Approval
 SLT20-500IB-UN	CC	AC110-277V	0.70C	150mA	0.75-6W	5-40V	66.7x41x22mm	CE, RoHS, pending
	CC	AC110-277V	0.70C	200mA	1-8W	5-40V	66.7x41x22mm	CE, RoHS, pending
	CC	AC110-277V	0.70C	250mA	1.25-10W	5-40V	66.7x41x22mm	CE, RoHS, pending
	CC	AC110-277V	0.70C	300mA	1.5-12W	5-40V	66.7x41x22mm	CE, RoHS, pending
	CC	AC110-277V	0.70C	350mA	1.75-14W	5-40V	66.7x41x22mm	CE, RoHS, pending
	CC	AC110-277V	0.90C	400mA	2-16W	5-40V	66.7x41x22mm	CE, RoHS, pending
	CC	AC110-277V	0.90C	450mA	2.25-18W	5-40V	66.7x41x22mm	CE, RoHS, pending
	CC	AC110-277V	0.90C	500mA	2.5-20W	5-40V	66.7x41x22mm	CE, RoHS, pending
 SLT25-600IB-E	CC	AC220-240V	0.80C	250mA	6.7-10.5W	27-42V	66.7x41x22mm	CE, RoHS
	CC	AC220-240V	0.80C	300mA	8.1-12.6W	27-42V	66.7x41x22mm	CE, RoHS
	CC	AC220-240V	0.80C	350mA	9.4-14.7W	27-42V	66.7x41x22mm	CE, RoHS
	CC	AC220-240V	0.80C	400mA	10.8-16.8W	27-42V	66.7x41x22mm	CE, RoHS
	CC	AC220-240V	0.80C	450mA	12.2-18.9W	27-42V	66.7x41x22mm	CE, RoHS
	CC	AC220-240V	0.80C	500mA	13.5-21W	27-42V	66.7x41x22mm	CE, RoHS
	CC	AC220-240V	0.90C	550mA	14.8-23.1W	27-42V	66.7x41x22mm	CE, RoHS
	CC	AC220-240V	0.90C	600mA	16.2-25.2W	27-42V	66.7x41x22mm	CE, RoHS


FIX

Model	Type	Input	λ	Output	Output power range	Output voltage range	L x W x H	Approval
 SLT35-1000IB-UN	CC	AC110-277V	0.75C	250mA	0.5-12W	2-50V	95.6x39x30mm 135.5x39x30mm	CE, RoHS, DALI, CE
	CC	AC110-277V	0.75C	300mA	0.6-15W	2-50V	95.6x39x30mm 135.5x39x30mm	CE, RoHS, DALI, CE
	CC	AC110-277V	0.75C	350mA	0.7-17W	2-50V	95.6x39x30mm 135.5x39x30mm	CE, RoHS, DALI, CE
	CC	AC110-277V	0.75C	400mA	0.8-20W	2-50V	95.6x39x30mm 135.5x39x30mm	CE, RoHS, DALI, CE
	CC	AC110-277V	0.85C	450mA	0.9-22W	2-50V	95.6x39x30mm 135.5x39x30mm	CE, RoHS, DALI, CE
	CC	AC110-277V	0.85C	500mA	1-25W	2-50V	95.6x39x30mm 135.5x39x30mm	CE, RoHS, DALI, CE
	CC	AC110-277V	0.90C	550mA	1.1-27W	2-50V	95.6x39x30mm 135.5x39x30mm	CE, RoHS, DALI, CE
	CC	AC110-277V	0.90C	600mA	1.2-30W	2-50V	95.6x39x30mm 135.5x39x30mm	CE, RoHS, DALI, CE
	CC	AC110-277V	0.90C	650mA	1.3-32W	2-50V	95.6x39x30mm 135.5x39x30mm	CE, RoHS, DALI, CE
	CC	AC110-277V	0.90C	700mA	1.4-35W	2-50V	95.6x39x30mm 135.5x39x30mm	CE, RoHS, DALI, CE
	CC	AC110-277V	0.90C	750mA	1.5-35W	2-47V	95.6x39x30mm 135.5x39x30mm	CE, RoHS, DALI, CE
	CC	AC110-277V	0.90C	800mA	1.6-35W	2-43V	95.6x39x30mm 135.5x39x30mm	CE, RoHS, DALI, CE
	CC	AC110-277V	0.90C	850mA	1.7-35W	2-41V	95.6x39x30mm 135.5x39x30mm	CE, RoHS, DALI, CE
	CC	AC110-277V	0.90C	900mA	1.8-35W	2-39V	95.6x39x30mm 135.5x39x30mm	CE, RoHS, DALI, CE
CC	AC110-277V	0.90C	950mA	1.9-35W	2-37V	95.6x39x30mm 135.5x39x30mm	CE, RoHS, DALI, CE	
CC	AC110-277V	0.90C	1000mA	2-35W	2-35V	95.6x39x30mm 135.5x39x30mm	CE, RoHS, DALI, CE	
 SLT45-1050IB-E	CC	AC220-240V	0.95	700mA	18.9-29.4W	27-42V	96x42x29.8mm 139x42x29.8mm	CE, RoHS, DALI, CE
	CC	AC220-240V	0.95	750mA	20.3-31.5W	27-42V	96x42x29.8mm 139x42x29.8mm	CE, RoHS, DALI, CE
	CC	AC220-240V	0.95	800mA	21.6-33.6W	27-42V	96x42x29.8mm 139x42x29.8mm	CE, RoHS, DALI, CE
	CC	AC220-240V	0.95	850mA	22.9-35.7W	27-42V	96x42x29.8mm 139x42x29.8mm	CE, RoHS, DALI, CE
	CC	AC220-240V	0.95	900mA	24.3-37.8W	27-42V	96x42x29.8mm 139x42x29.8mm	CE, RoHS, DALI, CE
	CC	AC220-240V	0.95	950mA	25.6-39.9W	27-42V	96x42x29.8mm 139x42x29.8mm	CE, RoHS, DALI, CE
	CC	AC220-240V	0.95	1000mA	27-42W	27-42V	96x42x29.8mm 139x42x29.8mm	CE, RoHS, DALI, CE
CC	AC220-240V	0.95	1050mA	28.3-42W	27-42V	96x42x29.8mm 139x42x29.8mm	CE, RoHS, DALI, CE	


DALI2

Model	Type	Input	λ	Output	Output power range	Output voltage range	L x W x H	Approval
 SLD20-500IBD-UN	CC	AC110-277V	0.84C	150mA	4-6W	27-40V	78.7x41x22mm 103.1x41x22mm	CE, RoHS, DALI, CE
	CC	AC110-277V	0.89C	200mA	4-8W	20-40V	78.7x41x22mm 103.1x41x22mm	CE, RoHS, DALI, CE
	CC	AC110-277V	0.91C	250mA	4-10W	16-40V	78.7x41x22mm 103.1x41x22mm	CE, RoHS, DALI, CE
	CC	AC110-277V	0.93C	300mA	4-12W	14-40V	78.7x41x22mm 103.1x41x22mm	CE, RoHS, DALI, CE
	CC	AC110-277V	0.94C	350mA	4-14W	12-40V	78.7x41x22mm 103.1x41x22mm	CE, RoHS, DALI, CE
	CC	AC110-277V	0.95	400mA	4-16W	10-40V	78.7x41x22mm 103.1x41x22mm	CE, RoHS, DALI, CE
	CC	AC110-277V	0.95	450mA	4-18W	9-40V	78.7x41x22mm 103.1x41x22mm	CE, RoHS, DALI, CE
	CC	AC110-277V	0.95	500mA	4-20W	8-40V	78.7x41x22mm 103.1x41x22mm	CE, RoHS, DALI, CE

DALI2

Model	Type	Input	λ	Output	Output power range	Output voltage range	L x W x H	Approval
 SLD35-1000IBD-UN	CC	AC110-277V	0.83C	250mA	5-10.5W	20-42V	96x42x29.8mm 139x42x29.8mm	CE, RoHS, DALI, pending CE
	CC	AC110-277V	0.86C	300mA	4.5-12.6W	15-42V	96x42x29.8mm 139x42x29.8mm	CE, RoHS, DALI, pending CE
	CC	AC110-277V	0.88C	350mA	2.8-14.7W	8-42V	96x42x29.8mm 139x42x29.8mm	CE, RoHS, DALI, pending CE
	CC	AC110-277V	0.90C	400mA	3.2-16.8W	8-42V	96x42x29.8mm 139x42x29.8mm	CE, RoHS, DALI, pending CE
	CC	AC110-277V	0.91C	450mA	3.6-18.9W	8-42V	96x42x29.8mm 139x42x29.8mm	CE, RoHS, DALI, pending CE
	CC	AC110-277V	0.93C	500mA	4-21W	8-42V	96x42x29.8mm 139x42x29.8mm	CE, RoHS, DALI, pending CE
	CC	AC110-277V	0.94C	550mA	4.4-23.1W	8-42V	96x42x29.8mm 139x42x29.8mm	CE, RoHS, DALI, pending CE
	CC	AC110-277V	0.94C	600mA	4.8-25.2W	8-42V	96x42x29.8mm 139x42x29.8mm	CE, RoHS, DALI, pending CE
	CC	AC110-277V	0.95	650mA	5.2-27.3W	8-42V	96x42x29.8mm 139x42x29.8mm	CE, RoHS, DALI, pending CE
	CC	AC110-277V	0.95	700mA	5.6-29.4W	8-42V	96x42x29.8mm 139x42x29.8mm	CE, RoHS, DALI, pending CE
	CC	AC110-277V	0.95	750mA	6-31.5W	8-42V	96x42x29.8mm 139x42x29.8mm	CE, RoHS, DALI, pending CE
	CC	AC110-277V	0.95	800mA	6.4-33.6W	8-42V	96x42x29.8mm 139x42x29.8mm	CE, RoHS, DALI, pending CE
	CC	AC110-277V	0.95	850mA	6.8-34.85W	8-41V	96x42x29.8mm 139x42x29.8mm	CE, RoHS, DALI, pending CE
	CC	AC110-277V	0.95	900mA	7.2-35.1W	8-39V	96x42x29.8mm 139x42x29.8mm	CE, RoHS, DALI, pending CE
CC	AC110-277V	0.95	950mA	7.6-35.15W	8-37V	96x42x29.8mm 139x42x29.8mm	CE, RoHS, DALI, pending CE	
CC	AC110-277V	0.95	1000mA	8-35W	8-35V	96x42x29.8mm 139x42x29.8mm	CE, RoHS, DALI, pending CE	

0/1-10V

Model	Type	Input	λ	Output	Output power range	Output voltage range	L x W x H	Approval
 SLD20-500IBA-UN1	CC	AC110-277V	0.95	150mA	3-6W	20-40V	78.7x41x22mm 103.1x41x22mm	RoHS, CE
	CC	AC110-277V	0.95	200mA	4-8W	20-40V	78.7x41x22mm 103.1x41x22mm	RoHS, CE
	CC	AC110-277V	0.95	250mA	5-10W	20-40V	78.7x41x22mm 103.1x41x22mm	RoHS, CE
	CC	AC110-277V	0.95	300mA	6-12W	20-40V	78.7x41x22mm 103.1x41x22mm	RoHS, CE
	CC	AC110-277V	0.95	350mA	2.8-14W	8-40V	78.7x41x22mm 103.1x41x22mm	RoHS, CE
	CC	AC110-277V	0.95	400mA	3.2-16W	8-40V	78.7x41x22mm 103.1x41x22mm	RoHS, CE
	CC	AC110-277V	0.95	450mA	3.6-18W	8-40V	78.7x41x22mm 103.1x41x22mm	RoHS, CE
	CC	AC110-277V	0.95	500mA	4.8-20W	8-40V	78.7x41x22mm 103.1x41x22mm	RoHS, CE

0/1-10V

Model	Type	Input	λ	Output	Output power range	Output voltage range	L x W x H	Approval
	CC	AC110-277V	0.95	250mA	5-10.5W	20-42V	96x42x30mm 139x42x30mm	
	CC	AC110-277V	0.95	300mA	6-12.6W	20-42V	96x42x30mm 139x42x30mm	
	CC	AC110-277V	0.95	350mA	7-14.7W	20-42V	96x42x30mm 139x42x30mm	
	CC	AC110-277V	0.95	400mA	8-16.8W	20-42V	96x42x30mm 139x42x30mm	
	CC	AC110-277V	0.95	450mA	9-18.9W	20-42V	96x42x30mm 139x42x30mm	
	CC	AC110-277V	0.95	500mA	10-21W	20-42V	96x42x30mm 139x42x30mm	
	CC	AC110-277V	0.95	550mA	11-23.1W	20-42V	96x42x30mm 139x42x30mm	
	CC	AC110-277V	0.95	600mA	12-25.2W	20-42V	96x42x30mm 139x42x30mm	
	CC	AC110-277V	0.95	650mA	5.2-27.3W	8-42V	96x42x30mm 139x42x30mm	
	CC	AC110-277V	0.95	700mA	5.6-29.4W	8-42V	96x42x30mm 139x42x30mm	
	CC	AC110-277V	0.95	750mA	6-31.5W	8-42V	96x42x30mm 139x42x30mm	
	CC	AC110-277V	0.95	800mA	6.4-33.6W	8-42V	96x42x30mm 139x42x30mm	
	CC	AC110-277V	0.95	850mA	6.8-34.9W	8-41V	96x42x30mm 139x42x30mm	
	CC	AC110-277V	0.95	900mA	7.2-35.1W	8-39V	96x42x30mm 139x42x30mm	
	CC	AC110-277V	0.95	950mA	7.6-35.2W	8-37V	96x42x30mm 139x42x30mm	
	CC	AC110-277V	0.95	1000mA	8-35W	8-35V	96x42x30mm 139x42x30mm	

Triac

Model	Type	Input	λ	Output	Output power range	Output voltage range	L x W x H	Approval
	CC	AC220-240V	0.90C	350mA	4.2-7.7W	12-22V	85.3x41x22mm	
SLD8-350IB-Es	CC	AC220-240V	0.90C	350mA	4.2-7.7W	12-22V	66.7x41x22mm	
SLD15-300IL-Es	CC	AC220-240V	0.95	300mA	7.2-14.4W	24-48V	85.3x41x22mm	
SLD15-350IL-Es	CC	AC220-240V	0.95	350mA	8.4-14.7W	24-42V	85.3x41x22mm	
SLD15-500IL-Es	CC	AC220-240V	0.95	500mA	8.5-15W	17-30V	85.3x41x22mm	
	CC	AC220-240V	0.95	700mA	6.3-15.4W	9-22V	85.3x41x22mm	
SLD15-300IB-Es	CC	AC220-240V	0.95	300mA	7.2-14.4W	24-48V	66.7x41x22mm	
SLD15-350IB-Es	CC	AC220-240V	0.95	350mA	8.4-14.7W	24-42V	66.7x41x22mm	
SLD15-500IB-Es	CC	AC220-240V	0.95	500mA	8.5-15W	17-30V	66.7x41x22mm	
SLD15-700IB-Es	CC	AC220-240V	0.95	700mA	6.3-15.4W	9-22V	66.7x41x22mm	

Triac

Model	Type	Input	λ	Output	Output power range	Output voltage range	L x W x H	Approval
	CC	AC 220-240V	0.95	350mA	10.5-18.9W	30-54V	121x45x20mm	
SLD20-500IL-Es	CC	AC 220-240V	0.95	500mA	10-20W	20-40V	121x45x20mm	
SLD20-700IL-Es	CC	AC 220-240V	0.95	700mA	10.5-20.3W	15-29V	121x45x20mm	

Bluetooth Mesh Series

Dip switch

Model	Type	Input	λ	Output	Output power range	Output voltage range	L x W x H	Approval
	CC	AC110-277V	0.83C	250mA	5-10.5W	20-42V	96x42x30mm 139x42x30mm	
	CC	AC110-277V	0.86C	300mA	4.5-12.6W	15-42V	96x42x30mm 139x42x30mm	
	CC	AC110-277V	0.88C	350mA	2.8-14.7W	8-42V	96x42x30mm 139x42x30mm	
	CC	AC110-277V	0.90C	400mA	3.2-16.8W	8-42V	96x42x30mm 139x42x30mm	
	CC	AC110-277V	0.91C	450mA	3.6-18.9W	8-42V	96x42x30mm 139x42x30mm	
	CC	AC110-277V	0.93C	500mA	4-21W	8-42V	96x42x30mm 139x42x30mm	
	CC	AC110-277V	0.94C	550mA	4.4-23.1W	8-42V	96x42x30mm 139x42x30mm	
	CC	AC110-277V	0.94C	600mA	4.8-25.2W	8-42V	96x42x30mm 139x42x30mm	
	CC	AC110-277V	0.95	650mA	5.2-27.3W	8-42V	96x42x30mm 139x42x30mm	
	CC	AC110-277V	0.95	700mA	5.6-29.4W	8-42V	96x42x30mm 139x42x30mm	
	CC	AC110-277V	0.95	750mA	6-31.5W	8-42V	96x42x30mm 139x42x30mm	
	CC	AC110-277V	0.95	800mA	6.4-33.6W	8-42V	96x42x30mm 139x42x30mm	
	CC	AC110-277V	0.95	850mA	6.8-34.85W	8-41V	96x42x30mm 139x42x30mm	
	CC	AC110-277V	0.95	900mA	7.2-35.1W	8-39V	96x42x30mm 139x42x30mm	
	CC	AC110-277V	0.95	950mA	7.6-35.15W	8-37V	96x42x30mm 139x42x30mm	
	CC	AC110-277V	0.95	1000mA	8-35W	8-35V	96x42x30mm 139x42x30mm	