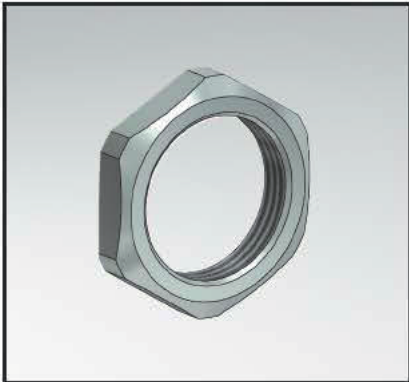


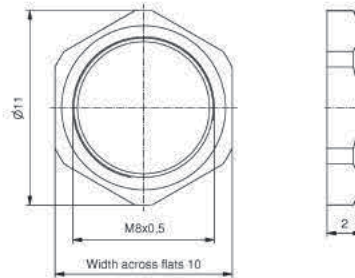
HEX NUT

Hex nut M8x0,5



PRODUCT DRAWING

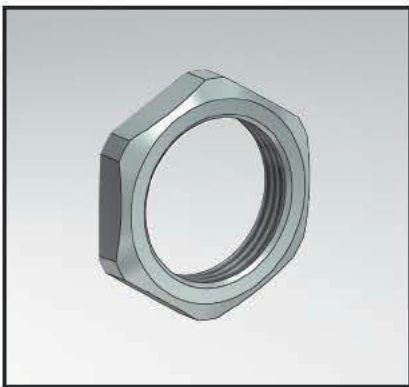
Dimension



DESCRIPTION

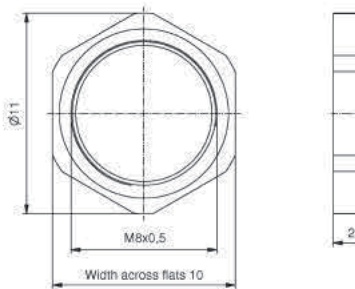
Part number	42-01046
Type	M8x1
Material	CuZn
Plating	Nickel-plated

Hex nut M8x0,5 – Food+Beverage



PRODUCT DRAWING

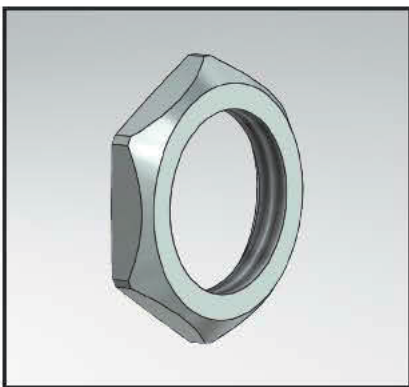
Dimension



DESCRIPTION

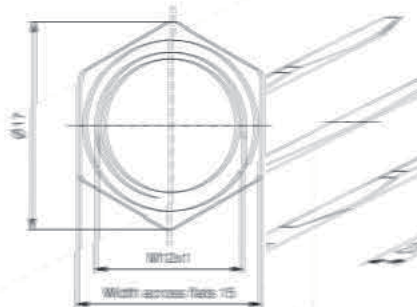
Part number	42-01082
Type	M8x1
Material	Stainless steel

Hex nut M12x1



PRODUCT DRAWING

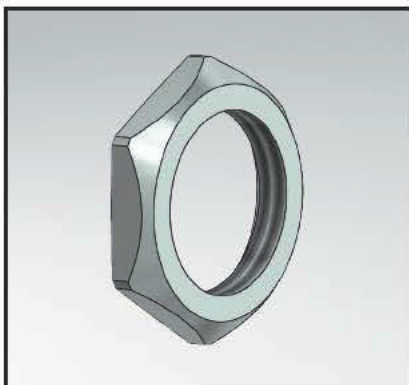
Dimension



DESCRIPTION

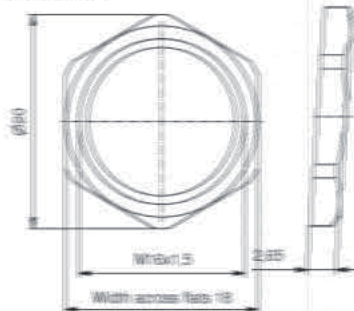
Part number	43-01716
Type	M12x1
Material	CuZn
Plating	Nickel-plated

Hex nut M16x1,5



PRODUCT DRAWING

Dimension



DESCRIPTION

Part number	43-01155
Type	M12x1
Material	CuZn
Plating	Nickel-plated