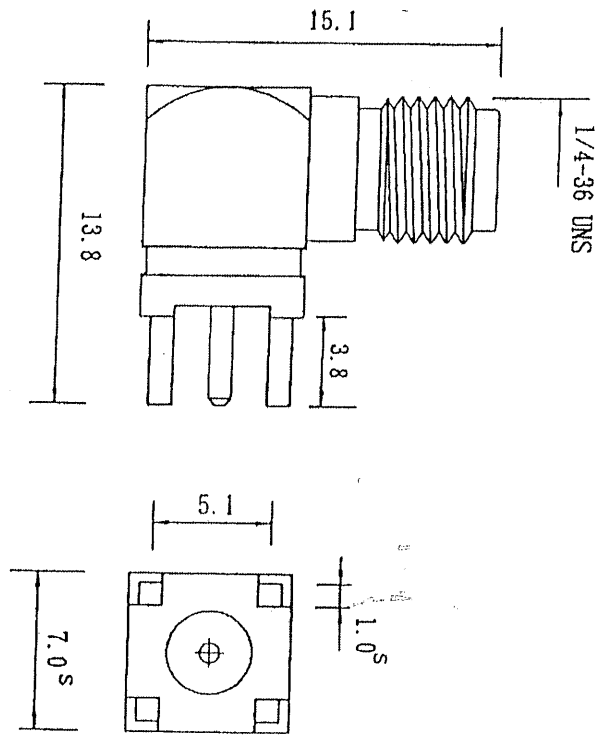
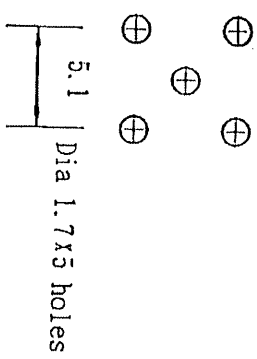


SMA PCBW



MOUNTING DETAILS



Description	Material	Finish
1. Body	Brass	Gold
2. Contact	PH. Bronze	Gold
3. Insulator	Teflon	White

Dimensions Are In Millimeters	
Unless Otherwise Specified	
Tolerances	
0.5-6 =	± 0.2
6-30 =	± 0.4
30-120 =	± 0.6
120-315 =	± 1.0
315-1000 =	± 1.6
1000-2000 =	± 2.4