
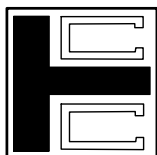


SPECIFICATION FOR APPROVAL

CUSTOMER :		DATE : 07-01-2009 DD/MM/YYYY
CUSTOMER P/N :		
C.T.C. P/N : SMCM322522-XXXX		SAMPLE Q'TY :
PRODUCT NAME : SMCM322522-XXXX		
DRAWN BY :	CHECKED BY :	APPROVED BY :
Ke Youfang	Yu Xinze	Tao Guowen

APPROVED BY CUSTOMER

	SIGNATURE	DATE
APPROVED		
CONDITIONAL APPROVED		
REJECTED		



C.T.C. Coils Limited 確力新實業有限公司

香港新界大埔汀角路 55 號太平工業中心 2 座 8 字樓 E 室
 Flat E, 8/F, Block 2, Tai Ping Ind. Centre, 55 Ting Kok Rd., Tai Po., N.T., Hong Kong
 Tel : (852) 2695-4889 Fax : (852) 2695-1842
<http://www.ctccoils.com> E-mail : enquiry@ctccoils.com

C.T.C. Electronics (Fonggang) Factory 東莞確力新電子廠

中國廣東省東莞市鳳崗鎮雁田區南山工業城第一棟
 Nanshan Industrial District, Yantian Village, Fenggang Town, Dongguan City,
 Guangdong Province, China, P.R.C.
 Tel : (86)769-87771591 Fax : (86)769-87771314

C.T.C. Electronics (Tangxia) Limited 東莞確一新電子有限公司

中國廣東省東莞市塘廈林村新太陽工業城第十七棟
 No.17, New Sun Industrial City, Tang Xia Town, Lin Cun, Dongguan City,
 Guangdong Province, China, P.R.C.
 Tel : (86)769-87811682 Fax : (86)769-87811382

SPECIFICATION FOR:

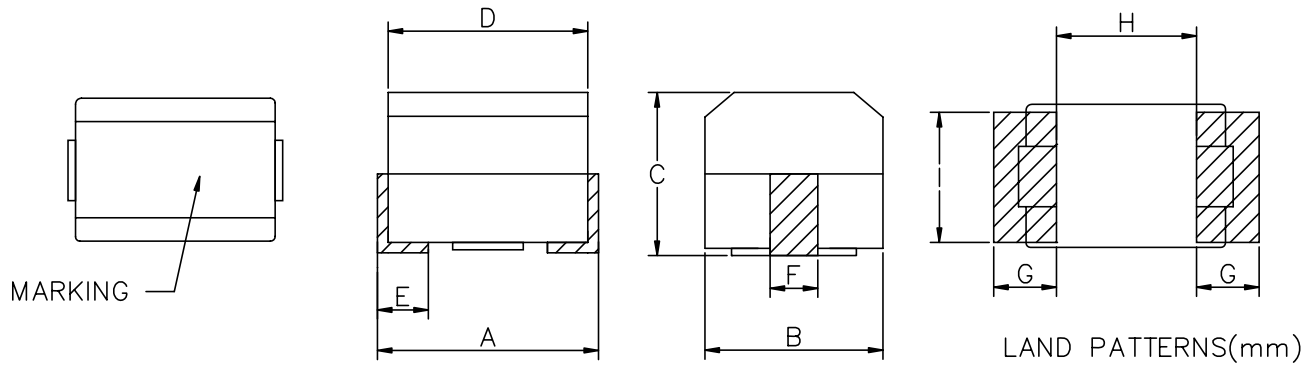
REF.:

SPECIFICATION FOR APPROVAL

C.T.C. P/N:	SMCM322522-XXXX	DATE: DD/MM/YYYY	07-01-2009
--------------------	-----------------	----------------------------	------------

PRODUCT NAME:	SMCM322522-XXXX
----------------------	-----------------

1. DIMENSION (UNIT:mm):



A: 3.2 ± 0.3	B: 2.5 ± 0.3	C: 2.2 ± 0.3	D: 2.9 ± 0.2	E: 0.6 Ref.
F: 1.0 Ref.	G: 1.0 Ref.	H: 2.0 Ref.	I: 2.0 Ref.	J:

2. ELECTRIC CHARACTERISTICS:(Operating temperature: -25°C to+ 85°C)

Part Number	L (μH)	Tolerance (±%)	Q Min.	Test Freq. (MHz)	SRF (MHz) Min.	DCR (Ω) Max.	IDC (mA) Max.
SMCM322522-R12M	0.12	5,10,20	30	25.2	500	0.22	450
SMCM322522-R15M	0.15	5,10,20	30	25.2	450	0.25	450
SMCM322522-R18M	0.18	5,10,20	30	25.2	400	0.28	450
SMCM322522-R22M	0.22	5,10,20	30	25.2	350	0.32	450
SMCM322522-R27M	0.27	5,10,20	30	25.2	320	0.36	450
SMCM322522-R33M	0.33	5,10,20	30	25.2	300	0.40	450
SMCM322522-R39M	0.39	5,10,20	30	25.2	250	0.45	450
SMCM322522-R47M	0.47	5,10,20	30	25.2	220	0.50	450
SMCM322522-R56M	0.56	5,10,20	30	25.2	180	0.55	450
SMCM322522-R68M	0.68	5,10,20	30	25.2	160	0.60	450
SMCM322522-R82M	0.82	5,10,20	30	25.2	140	0.65	450
SMCM322522-1R0K	1.00	5,10,20	30	7.96	120	0.70	400
SMCM322522-1R2K	1.20	5,10,20	30	7.96	100	0.75	390
SMCM322522-1R5K	1.50	5,10,20	30	7.96	85	0.85	370
SMCM322522-1R8K	1.80	5,10,20	30	7.96	80	0.90	350
SMCM322522-2R2K	2.20	5,10,20	30	7.96	75	1.00	320
SMCM322522-2R7K	2.70	5,10,20	30	7.96	70	1.10	290
SMCM322522-3R3K	3.30	5,10,20	30	7.96	60	1.20	260
SMCM322522-3R9K	3.90	5,10,20	30	7.96	55	1.30	250
SMCM322522-4R7K	4.70	5,10,20	30	7.96	50	1.50	220
SMCM322522-5R6K	5.60	5,10,20	30	7.96	47	1.60	200

SMCM322522-6R8K	6.80	5,10,20	30	7.96	43	1.80	180
SMCM322522-8R2K	8.20	5,10,20	30	7.96	40	2.00	170
SMCM322522-100K	10	5,10,20	30	2.52	36	2.10	150
SMCM322522-120K	12	5,10,20	30	2.52	33	2.50	140
SMCM322522-150K	15	5,10,20	30	2.52	28	2.80	130
SMCM322522-180K	18	5,10,20	30	2.52	25	3.30	120
SMCM322522-220K	22	5,10,20	30	2.52	23	3.70	110
SMCM322522-270K	27	5,10,20	30	2.52	18	5.00	80
SMCM322522-330K	33	5,10,20	30	2.52	17	5.60	70
SMCM322522-390K	39	5,10,20	30	2.52	16	6.40	65
SMCM322522-470K	47	5,10,20	30	2.52	15	7.00	60
SMCM322522-560K	56	5,10,20	30	2.52	13	8.00	55
SMCM322522-680K	68	5,10,20	30	2.52	12	9.00	50
SMCM322522-820K	82	5,10,20	30	2.52	11	10.0	45
SMCM322522-101K	100	5,10,20	20	0.796	10	11.0	40
SMCM322522-121K	120	5,10,20	20	0.796	10	12.0	70
SMCM322522-151K	150	5,10,20	20	0.796	8	15.0	65
SMCM322522-181K	180	5,10,20	20	0.796	7	17.0	60
SMCM322522-221K	220	5,10,20	20	0.796	7	21.0	60

3. NOTE

- 1.PACKING: 2000PCS/REEL
- 2. Inductance tolerance : J ($\pm 5\%$),K ($\pm 10\%$), M ($\pm 20\%$)

DRAWN BY :	CHECKED BY:	APPROVED BY:
Ke Youfang	Yu Xinze	Tao Guowen

SPECIFICATION FOR:

REF.:

SPECIFICATION FOR APPROVAL

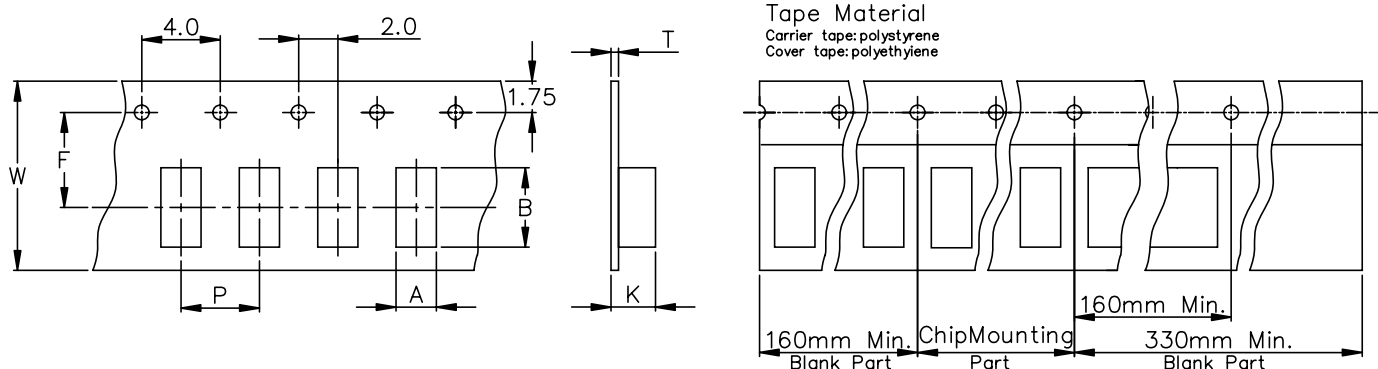
C.T.C. P/N: SMCM322522-XXXX

DATE: 07-01-2009
 DD/MM/YYYY



PRODUCT NAME: SMCM322522-XXXX

4. DIMENSION (UNIT:mm):



A:	2.96	B:	3.60	T:	0.23	W:	8.0
P:	4.0	F:	3.5	K:	2.40		

5. NOTE:

6. APPROVED BY CUSTOMER:	DRAWN BY :	CHECKED BY:	APPROVED BY:
	Ke Youfang	Yu Xinze	Tao Guowen