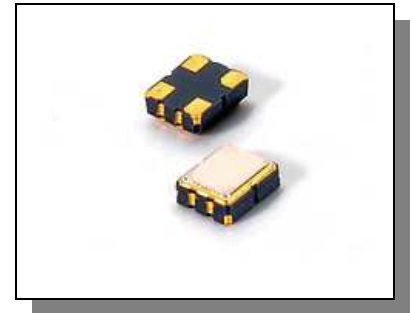


## Features

- ★ Small size
- ★ Surface mounted
- ★ 4 Pads
- ★ Supply voltage 3.3V & 5.0V

## Application

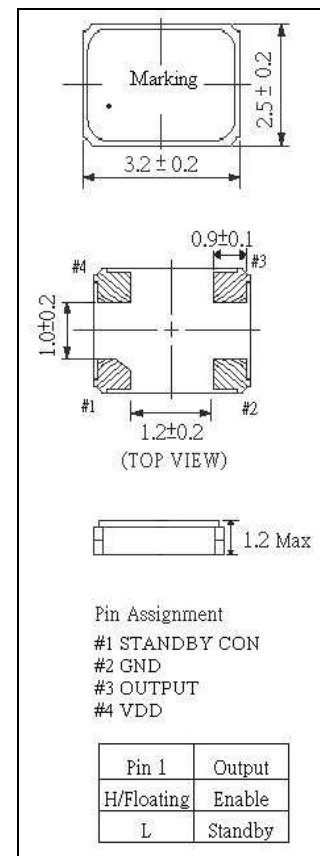
- ★ PC main boards
- ★ IT applications
- ★ Telecommunication
- ★ Data communication



## Specification (Characteristics)

Item	Specification		
Freq Range	1.0 ~ 40.0MHz	41.0 ~ 50.0MHz	51.0 ~ 156.25MHz
Supply Voltage	1.0V ~ 5.0V		1.8V ~ 5.0V
Frequency Stability	±10ppm ~ ±100ppm	±25ppm ~ ±100ppm	
Operating Temperature Range	0~+70°C (-40~+85°C is available)		
Storage Temperature Range	-40~+85°C		
Current	30mA max.		
Load	15pF		
Output Level	CMOS		
Output Symmetry	45~55 (at 50%VDD)		
Rise Time/Fall Time	10ns max.		
Min. Packing	3,000pcs/Reel		

## Dimension (Unit: mm)



## Part Number and Ordering

Part Number Code	Holder Type + Frequency + Stability VS Temp. + Operating Temp. + Supply Voltage + Dimension
Ordering Code	Same as Above
Example	OSC/SMD-20.00M-50- -20/70-3.3V-SO3225

## Recommended Soldering

