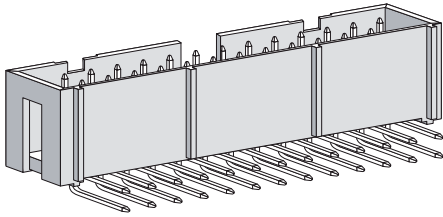
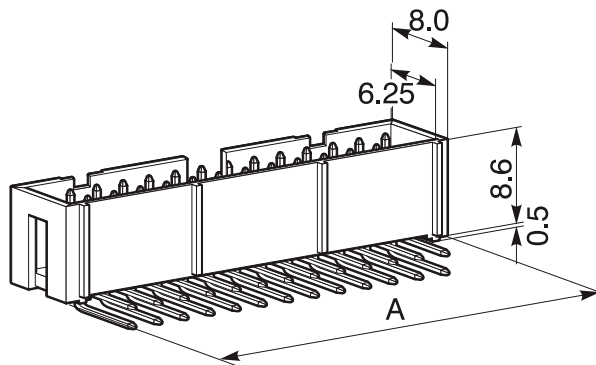


BOX HEADER, ANGLED PITCH 2.54x2.54mm



Contacts: Copper alloy
 Finish: RL1-RL3: gold plated
 RL4: tin plated
 Insulator: PBT 20% GF
 Withstanding voltage: 1000V DC or AC peak
 Current rating: 1.0A
 Contact resistance: 20mOhm
 Insulation resistance: 5000MOhm at 100V
 Life: RL1: 500 mating cycles
 RL2: 250 mating cycles
 RL3: 50 mating cycles
 RL4: 50 mating cycles

RoHS Compliant



No. of Contacts	10	14	16	20	26	34	40	50
A [mm]	19.6	24.6	27.2	32.2	39.9	50.0	57.7	70.4

SPBHxxA-3000

not used
 not used
 Pin length: 0 (Standard)
 0 (Standard)
 0 = 2.9mm (Standard)
 1 = 4.5mm
 Requirement level: 1 = RL1 = gold plated, 500 mating cycles
 2 = RL2 = gold plated, 250 mating cycles
 3 = RL3 = gold plated, 50 mating cycles
 4 = RL4 = tin plated, 50 mating cycles
 Style: A = Angled
 No. of contacts

