

DATA SHEET



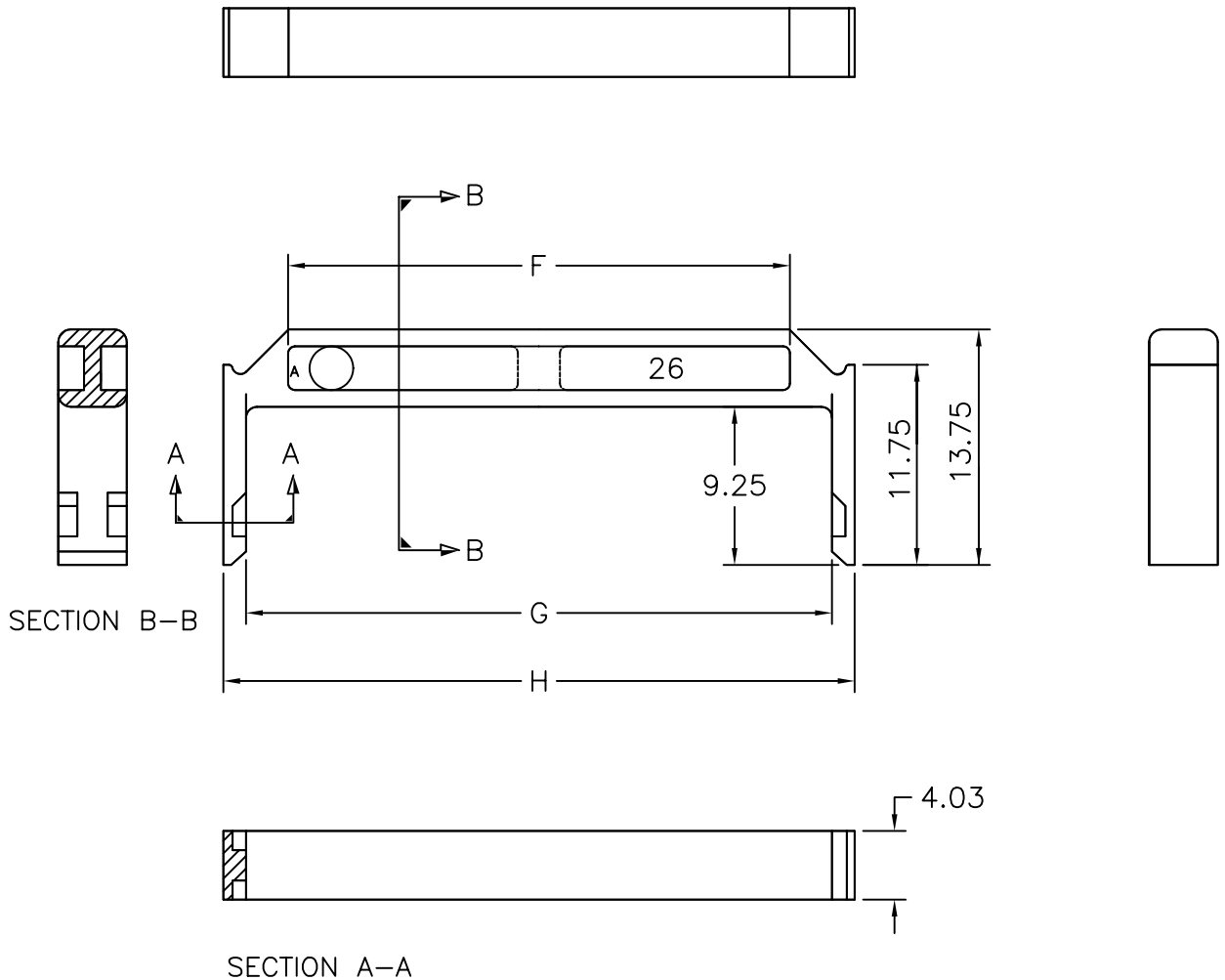
Description: Female Header connector, Strain Relief.

Part No. Speed : SPFH xx -SR
Project No. Speed :

Part No. customer :
Project No. customer :

Data sheet No.: DBSP 008 Drawn : Derek McGann
Revision : 4 Checked :
Date : 19.02.2009 Page : 1 of 1

Speed Electronics Ltd.
Gort Road Industrial Estate
Ennis Co. Clare Ireland
Tel: 00 353 (0)65 6869044
Fax: 00353 (0)65 6869446



RoHS Compliant

Plastic Material: PBT 20% GF
Manufacturer : Bayer
Material : Pocan B4225
Product rating : UL-94 V-O
File no. : E41613
Normal operating temperature: -40 degree
to +105 degree centigrade

SIZE(N)	F	G	H
10	9.50	14.50	17.20
14	14.60	19.60	22.30
16	17.15	22.15	24.82
20	22.15	27.20	29.90
26	29.85	34.85	37.55
34	40.00	45.00	47.68
40	47.60	52.60	55.30
50	60.30	65.30	68.00
60	73.00	78.00	80.70