

DATA SHEET

Description: IDC transition connector.

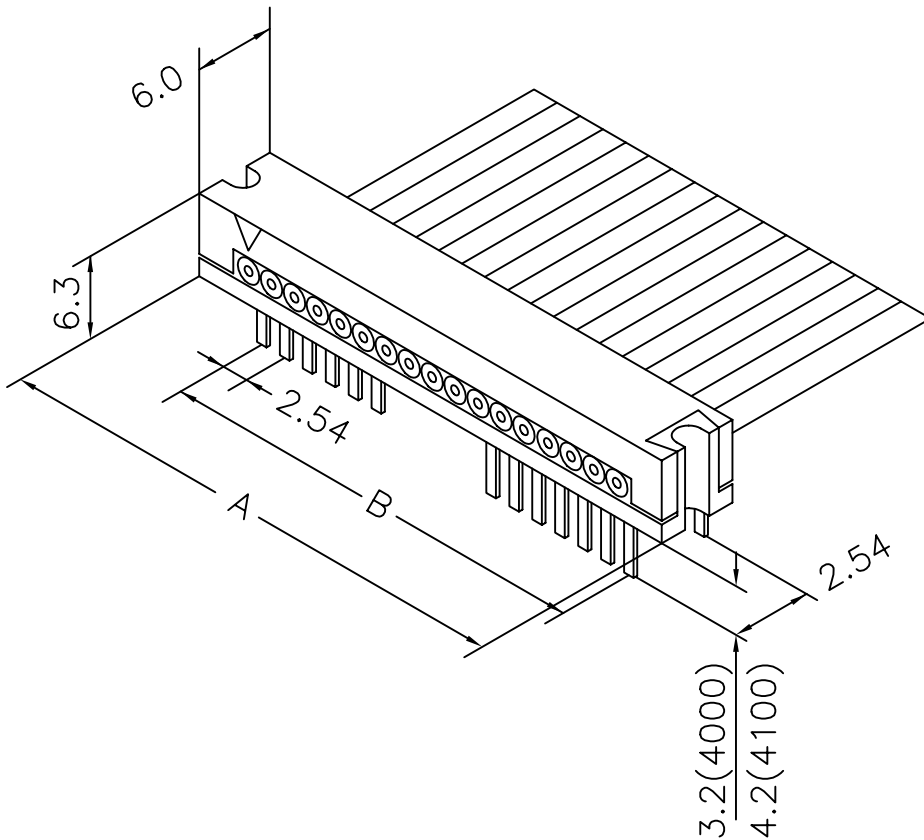
Part No. Speed : SPTC xx 4000/4100
 Project No. Speed :

Part No. customer :
 Project No. customer :

Data sheet No.: DBSP 002 Drawn : Derek McGann
 Revision : 4 Checked :
 Date : 22.09.2008 Page : 1 of 1



Speed Electronics Ltd.
 Gort Road Industrial Estate
 Ennis Co. Clare Ireland
 Tel: 00 353 (0)65 6869044
 Fax: 00353 (0)65 6869446



	10	14	16	20	26	34	40	50
A	17.60	22.60	25.20	30.30	37.90	48.00	55.70	68.40
B	10.16	15.24	17.78	22.86	30.48	40.64	48.26	60.96

Performance Rating
 Withstanding voltage : 1000V DC or AC peak
 Current rating : 1.0A
 Contact resistance : 20mOhm
 Insulation resistance : 5000MOhm at 100V
 Normal operating temperature: -40 degree to +105 degree centigrade

Contact Specification
 Contact: Copper Alloy
 Plating: Gold and/or Tin
 over a Nickel Base

Plastic Housing Specification
 Plastic Material: PBT 20% GF
 Manufacturer : Bayer
 Material : Pocan B4225
 Product rating : UL-94 V-0
 File no. : E41613

RoHS compliant

Data sheets, technical solutions, documentation and samples are intellectual property of Speed Electronics, Ltd. and Speed Elektronik GmbH. It is permitted to use these documents for information and approval matters only. Passing on to third party or a usage to other matters is strictly forbidden.