

# Talema Elektronik GmbH

Sembdnerstr.5, Postfach 2523, 82110, Germering.

Tel : ++49 89 841 00-0,

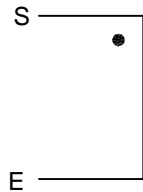
Fax : ++49 89 841 00 25

Email : [info@talema.de](mailto:info@talema.de)



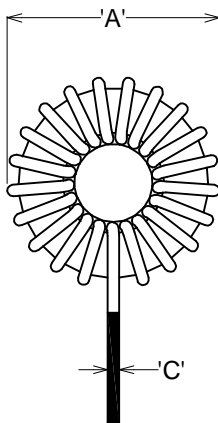
Customer	Schukat	Page : 1 of 1
Product	Suppression Chokes	
Part No	21950 ~ 21955	Date : 27th Oct '14
Customer Part No	D2242 Series	

## SCHEMATIC:

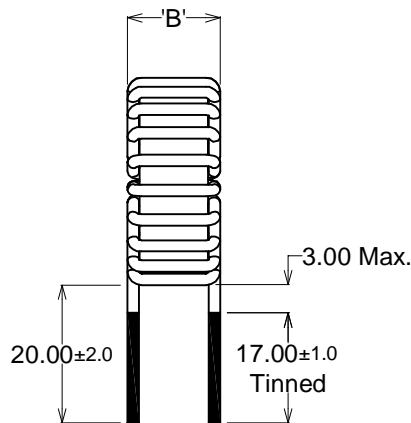


## ELECTRICAL & MECHANICAL SPECIFICATIONS:

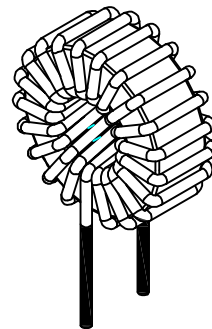
Customer P/N	Talema P/N	Electrical Specifications @25°C			Mechanical Dimensions		
		Rated Current in Amps	Inductance in $\mu\text{H}$ (Min.) @10KHz/100mV	DCR in $\text{m}\Omega$ (Typ)	'A' (OD)	'B' (Ht)	'C' (Self lead $\varnothing$ )
SFT52501	21950	2	32	28	13.80	8.00	0.56
SFT830S	21951	2	28	24	13.90	8.00	0.60
SFT850D	21952	2	126	61	17.10	9.70	0.60
SFT1030	21953	3	40	18	15.90	8.50	0.80
SFT1230	21954	5	36	14	19.00	12.00	1.00
SFT1240	21955	5	68	19	21.50	13.80	1.00



**FRONT VIEW**



**SIDE VIEW**



**ISOMETRIC VIEW**

Unit : mm Dimensions Tolerances :  $\pm 0.25\text{mm}$  (Unless specified)



Rev.	Description	Date	Name
3			
2			
1			
0	Initial Release	27.10.2014	M.Sheriff
<b>DRAFT COPY</b>		ISSUE : 1	REV : 0