

CLIFF

TERMINAL TP1



CL1505 - TP/1 BLACK
ASSEMBLED
CL1505U - TP/1 BLACK
UNASSEMBLED



CL1506 - TP/1 RED
ASSEMBLED
CL1506U - TP/1 RED
UNASSEMBLED



CL1507 - TP/1 BLUE
ASSEMBLED
CL1507U - TP/1 BLUE
UNASSEMBLED



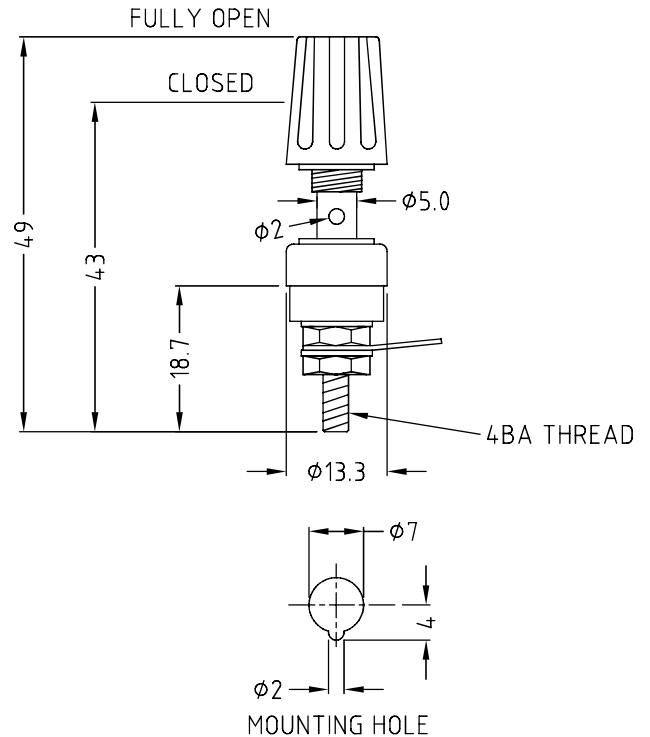
CL1508 - TP/1 GREEN
ASSEMBLED
CL1508U - TP/1 GREEN
UNASSEMBLED



CL1511 - TP/1 BROWN
ASSEMBLED
CL1511U - TP/1 BROWN
UNASSEMBLED



CL1509 - TP/1 WHITE
ASSEMBLED
CL1509U - TP/1 WHITE
UNASSEMBLED
CL1512 - TP/1 YELLOW
ASSEMBLED
CL1512U - TP/1 YELLOW
UNASSEMBLED



Current Rating: 15A.
Flammability: Min UL94HB

Unassembled parts come with top and bottom insulators, nuts and washers bulk packed.