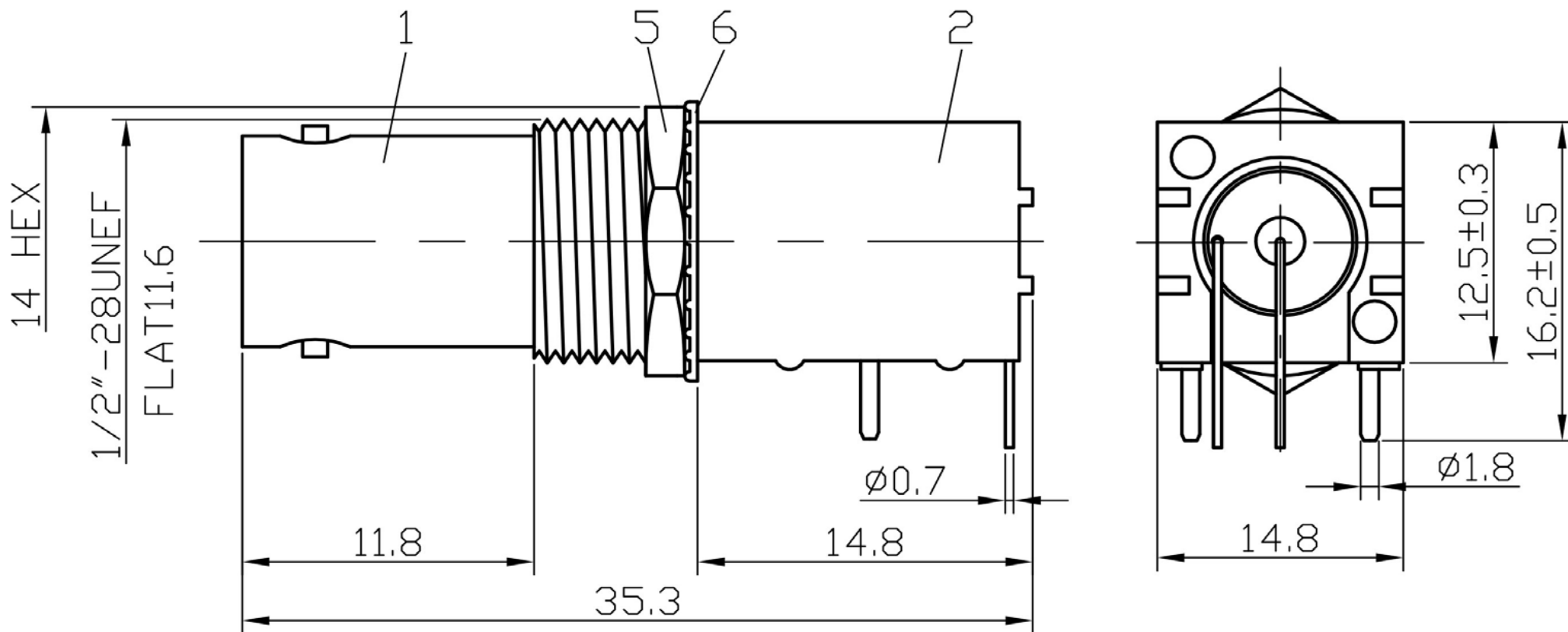


**BNC Jack, right angle, PCB mount, 50 Ohm**



UNLESS OTHERWISE SPECIFIED					MAJOR DIMENSIONS	
6	WASHER	1	STEEL	NICKEL	1. REMOVE ALL BURRS. 2. BREAK ALL CONNERS & EDGES CO. 15 MAX. 3. CHAMFER 1ST & LAST THREADS 45°. 4. DIAMETERS ON COMMON CENTERS. TO BE CONCENTRIC WITHIN 0.01 T. I. R. 5. ALL DIMENSIONS ARE AFTER PLATING.	UNLESS OTHERWISE NOTED TOLERANCES 0.5-6=±0.2 6-30=±0.4 30-120=±0.6 ANGLES=±5°
5	NUT	1	BRASS	NICKEL		
4	PIN	1	BRASS	GOLD		
3	INSULATOR	1	DELIRIN	WHITE		
2	BODY 2	1	TP	WHITE		
1	BODY 1	1	ZINC	NICKEL		
NO	Description	Q' ty	Material	Finish		

All material in accordance with RoHS + REACH!

Prep.:	Date:	Rev.:	Date:	Remark:	Prep.:	Check.:	Item No.:	<b>B.94PCBi</b>
J.A.	16.06.16							
Check.:	Date:						Customer Item No.:	

								EAN Bar Code:	
Approv.:								<i>All rights reserved</i>	Page 1 of 1