



# 產品確認書

## PRODUCT SPECIFICATION

品名

TITLE: TOGGLE SWITCH 2P2T

型號

MF CODEL: WT-22I03-T(P1)17.4

所屬部門

DEPARTMENT: \_\_\_\_\_

內容頁數

CONTENT: 3 SHEETS

本司存檔號

OUR REF. NO: \_\_\_\_\_

貴司存檔號

YOUR REF. NO: \_\_\_\_\_

日期

DATE: 2023-4-17

### 客戶承認印鑑 CUSTOMER APPROVAL

<p>審核人 APPROVED BY: _____</p> <p>日期 DATE: _____</p>		<p>蓋章 ISSUED</p>
<p>請確認規格后簽回 PLEASE SIGN RETURN AFTER APPROVED</p>		

日進工業有限公司 (1973年成立)

Promotive Industrial Co.,Ltd. (Established in 1973)

香港荃灣沙咀道 52 號 A 皇廷廣場 33 字樓

33/F, King Palace Plaza, 52A Sha Tsui Road, Tsuen Wan, Hong Kong

Tel: (852) 2408 6681 Fax: (852) 2409 5086

http://www.pic.com.hk http://www.hkpic.com

東莞日進電子有限公司

DongGuan Promotive Electronics Co.,Ltd



ISO9001:2015

00121Q39833R5M/4400

**PIC MODEL NO. :** WT-22I03-T(P1)17.4 (WT22)

**REF. No. :** PIC23008S

**CUSTOMER NAME :** Schukat electronic Vertriebs GmbH

**ISSUE DATE :** 17-Apr-23

**A. GENERAL**

A.1	NUMBER OF POLE	2
A.2	NO. OF THROW	2
A.3	TRAVEL	26°
A.4	NO. OF TERMINAL ROW	2
A.5	TERMINAL PITCH	4.7/9.4
A.6	TIMING	SCHEMATIC
A.7	KNOB (STYLE OR COLOR)	T(P1)17.4
A.8	CONTACT TYPE	CONTACT PLATE
A.9	MOUNTING TYPE	WIRING
A.10	TERMINAL PLATING	SILVER
A.11	FRAME PLATING	NICKEL
A.12	PRACTICAL TEMPERATURE RANGE	- 10 - +60 °C

**B. ELECTRICAL PERFORMANCE**

	<i>PROPERTY</i>	<i>TEST CONDITION</i>	<i>PERFORMANCE</i>
B.1	RATING	AC 125V 3A	
B.2	CONTACT RESISTANCE	DC 5V 1 Amp AT 1 KHz ± 200Hz (MAX 20mV, 50mA)	NOT MORE THAN 30 mOHM
B.3	INSULATION RESISTANCE	MEASURING BETWEEN ALL THE ADJACENT TERMINALS AND BETWEEN THE TERMINAL AND THE SHELL AT DC 500V FOR 1 MINUTE ± 5 SECONDS.	MORE THAN 100 Mohm
B.4	WITHSTAND VOLTAGE	MEASURING BETWEEN ALL THE ADJACENT TERMINALS AND BETWEEN THE TERMINAL AND THE SHELL AT AC 1000V (50-60Hz) FOR 1 MINUTE.	NO BREAKING

**C. MECHANICAL PERFORMANCE**

C.1	OPERATION FORCE	TEST AT THE ROOT OF THE LEVER.	150-450 gm-force
C.2	TERMINAL STRENGTH	APPLY A 500 gm STATIC FORCE IN ANY DIRECTION ON THE TIP OF THE TIP OF EACH FOR 1 MINUTE.	TERMINALS MA BE DEFORMED, BUT NO BREAKING OF TERMINALS AND CRACKING OF TERMINAL BASE.
C.3	LEVER STRENGTH	APPLY A 5 Kg STATIC FORCE IN THE DIRECTION OF OPERATION FOR 15 SECONDS.	THE LEVER SHALL NOT BE DEFORMED AND THE MECHANICAL FUNCTION SHALL WORK NORMALLY.
C.4	TERMINAL BASE STABILITY	APPLY A 5 Kg STATIC FORCE ON TOP THE LEVER NORMAL TO THE TERMINAL BASE IN 15 SECONDS.	THERE IS NO CRACKING OF TERMINAL BASE , AND STILL FIXED IN THE SHELL.
C.5	SOLDERING	TEMPERATURE OF SOLDER BY MANUAL : 260 ± 5 SOLDERING TIME : 5 ± 0.5 SECONDS	MORE THAN 75% OF THE DIPPED PART SHALL BE COVERED BY SOLDER.

**PREPARED BY : DUAN LI LING**

**APPROVED BY : DLEREK LUI**

**P R O M O T I V E      I N D U S T R I A L      C O . ,      L T D .**

**D. DURABILITY** PAGE : 2/2

	<i>PROPERTY</i>	<i>TEST CONDITION</i>	<i>PERFORMANCE</i>
D.1	SWITCHING LIFE (WITH LOAD)	OPERATING FOR 10,000 CYCLES AT A RATE OF LESS THAN 10 CYCLES/MIN.	CONTACT RESISTANCE : NOT MORE THAN 500 mOhm. INSULATION RESISTANCE : MORE THAN 100 Mohm. WITHSTAND VOLTAGE : AC 1000V FOR 1 MINUTE. OPERATION FORCE : + 10%/-30% OF SPEC.. THERE SHALL BE NO DEFECTS IN APPEARANCE AND MECHANICAL FUNCTIONS.
D.2	SWITCHING LIFE (WITHOUT LOAD)	OPERATING FOR 100,000 CYCLES AT A RATE OF 15-18 CYCLES/MINUTE.	CONTACT RESISTANCE : NOT MORE THAN 500 mOhm. INSULATION RESISTANCE : MORE THAN 100 Mohm. WITHSTAND VOLTAGE : AC 1000V FOR 1 MINUTE. OPERATION FORCE : + 10%/-30% OF SPEC.. THERE SHALL BE NO DEFECTS IN APPEARANCE AND MECHANICAL FUNCTIONS.

**E. WEATHER PROOF**

E.1	COLD PROOF	SWITCH FOR TEST BEING KEPT IN THE CONDITIONS AT $-20 \pm 2$ ° C IN TEMPERATURE FOR 96 HOURS, AND IN A NORMAL AMBIENT CONDITION FOR ONE HOUR , THEN TO BE MEASURED WITHIN ONE HOUR. DROPS OF WATER BEING TAKEN AWAY.	CONTACT RESISTANCE : NOT MORE THAN 500 mOhm. INSULATION RESISTANCE : MORE THAN 100 Mohm. WITHSTAND VOLTAGE : AC 1000V FOR 1 MINUTE. OPERATION FORCE : + 10%/-30% OF SPEC..
E.2	HEAT RESISTANCE	SWITCH FOR TEST BEING KEPT IN THE CONDITIONS $85 \pm 2$ ° C IN TEMPERATURE FOR 96 HOURS, AND IN A NORMAL AMBIENT CONDITION FOR ONE HOUR, THEN TO BE MEASURED WITHIN ONE HOUR. THEN TO BE MEASURED WITHIN 7	THERE SHALL BE NO DEFECTS IN APPEARANCE AND MECHANICAL FUNCTIONS.
E.3	RESISTANCE TO HUMIDITY	SWITCH FOR TEST BEING KEPT IN THE CONDITIONS AT $40 \pm 2$ ° C IN TEMPERATURE AND 90-95% RH FOR 96 HOURS, AND IN A NORMAL AMBIENT CONDITION FOR 1 HOUR , THEN TO BE MEASURED WITHIN ONE HOUR. DROPS OF WATER BEING TAKEN AWAY.	CONTACT RESISTANCE : NOT MORE THAN 500 mOhm. INSULATION RESISTANCE : MORE THAN 100 Mohm. WITHSTAND VOLTAGE : AC 1000V FOR 1 MINUTE. OPERATION FORCE : + 10%/-30% OF SPEC.. THERE SHALL BE NO DEFECTS IN APPEARANCE AND MECHANICAL FUNCTIONS.

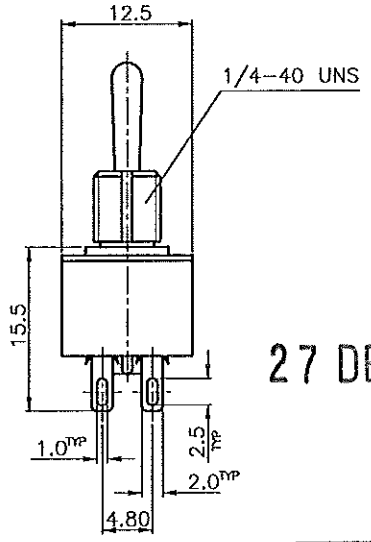
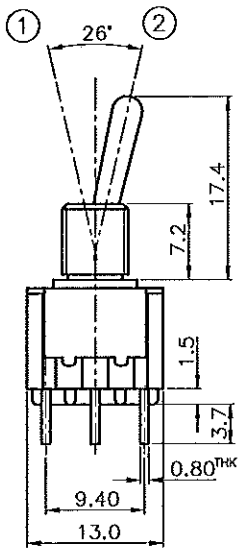
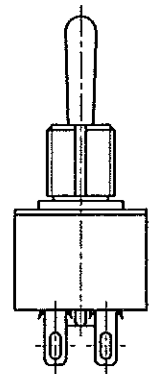
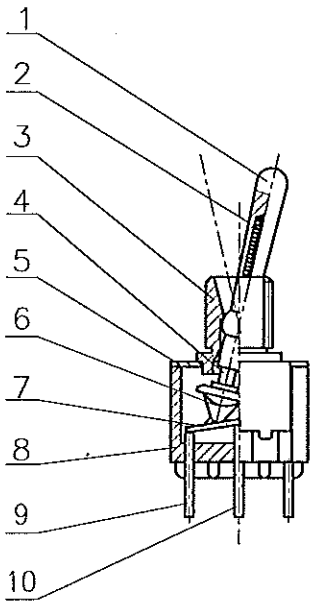
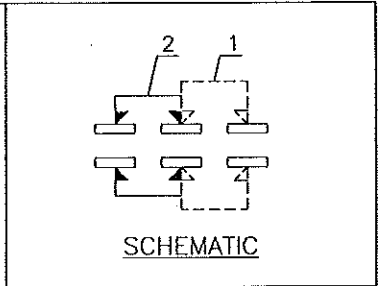
**F. TEST AND MEASURING CONDITION**

TEMPERATURE	: 5-35 ° C
HUMIDITY	: 45-85% RH
PRESSURE	: 860-1060 mbar
ASSURING THE DOUBTFUL POINTS IN MEASUREMENT, TEST UNDER CONDITIONS OF	
TEMPERATURE	: $20 \pm 5$ ° C
HUMIDITY	: $75 \pm 10$ % RH
PRESSURE	: 860-1060 mbar

NOTE : SPECIFICATION SUBJECT TO CHANGE FOR IMPROVEMENT.



REVISION			
NO.	PARTICULAR	BY.	DATE



27 DEC 2018

General Tolerance(m m)		
Decimal	.X	±0.2
	.XX	±0.1
	.XXX	±0.05
Angle		±2'

RoHS Compliance

NO.	PARTS NO.	PARTS NAME	QTY.	MATERIAL	REMARK
10	T-WT22I02	TERMINAL	2	0.8 <sup>THK</sup> COPPER PLATE	
9	T-WX44-01	TERMINAL	4	0.8 <sup>THK</sup> COPPER PLATE	
8	TB-EX44	TERMINAL BASE	1	PA66-RC251 OR PA66-252(R20)	
7	C-CP55W	CONTACT PLATE	2	0.5 <sup>THK</sup> COPPER PLATE	
6	SC-EX36	DLIDE CARRIASE	1	PA66-RC251 OR PA66 CM3004G-30	
5	S-WT22I02	SHELL	1	0.5 <sup>THK</sup> C.R.S.	
4	BS-TS22I02	BRASS SHAFT	1	BRASS	
3	SV-TS12I04	SLEEVE	1	CASTING Zn. ALLOY	
2	0-31X140X750(12)H	SPRING	1	SWC WIRE	
1	K-TS12I01	KNOB	1	BRASS	

ISSUED

BY:

DATE:

SPECIFICATION (INITIAL)
RATING: AC 125V 3A
CONTACT RESISTANCE: MAX. 30mΩ
INSULATION RESISTANCE: 100MΩ AT 500V DC
WITHSTAND VOLTAGE: AC 1000V FOR 1 MIN
OPERATION FORCE: 300±150g
SWITCHING LIFE: 10000 Cycles(6-10c/m loading)

TITLE: TOGGLE SWITCH 2P2T			
MODEL NO: WT-22I03-T(P1)17.4-00			
UNIT: m m	DWN	LIU	27.12.18
SCALE: 2 : 1	CHK'D		27/12-18
	APPD:		
	DRWG NO:	890097-02	REV. A

PROMOTIVE INDUSTRIAL CO., LTD. HONG KONG