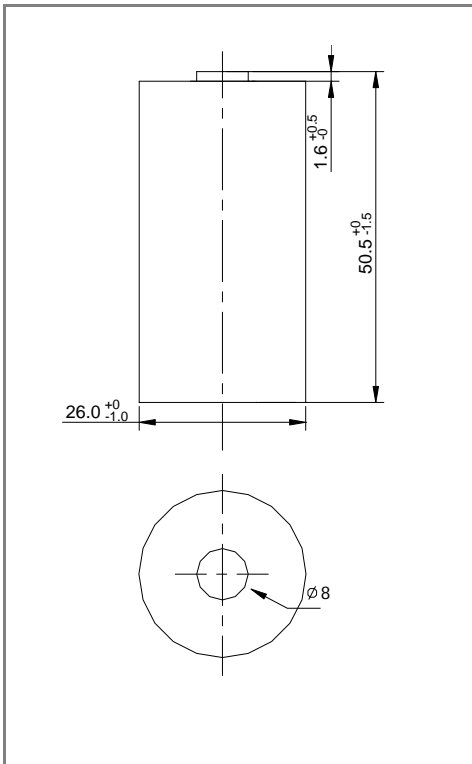
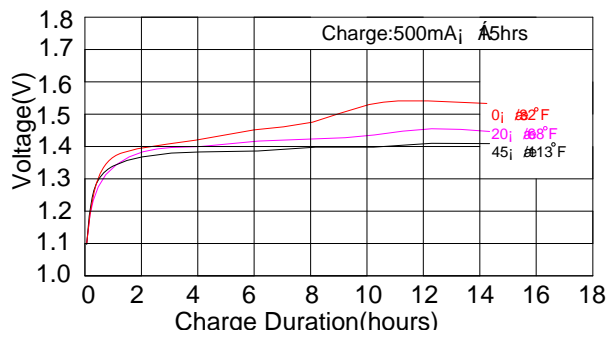


XC5000 Specifications

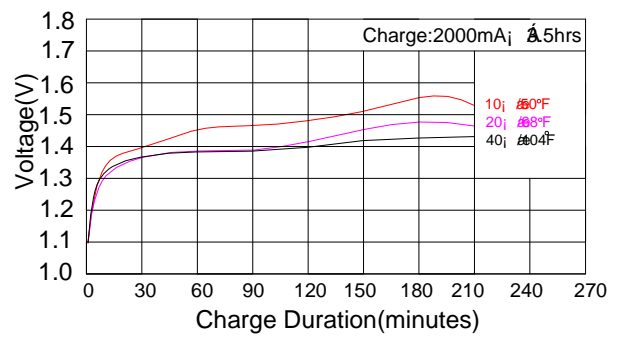


Nominal Capacity	5000mAh
Nominal Voltage	1.2V
Internal Impedance (at 1000Hz)	< 10mΩ
Charge	
Standard Charge	500mA x 15h
Rapid Charge	2000mA x 3.5h
Discharge Cut-off Voltage	1.0V
Max Dimension (with tube)	
Diameter	26mm
Height	50.5mm
Weight	92 g
Operating Temperature	
Charge	0 ~ 45℃
Discharge	-20 ~ 60℃
Storage Temperature	
Within 1 month	-5 ~ 35℃
Within 6 months	0 ~ 35℃

Standard charge characteristics



Rapid charge characteristics



Discharge characteristics

