

XSA-65 Pin Fin Heat Sink ϕ 70mm for Xicato

Features & Benefits

- Designed for Xicato XIM LED spot modules
 Xicato thermal class G (60° tilt angle, 40°C ambient)
- Thermal resistance Rth 2.5°C/W
- Diameter 70mm base - Standard height 60mm
 other heights on request
- Forged from highly conductive aluminum AL-1070
- Standard colors - clear anodised - black anodised
 Other colors and finishings on request
 (all RAL/Pantone colors available)



Order Information

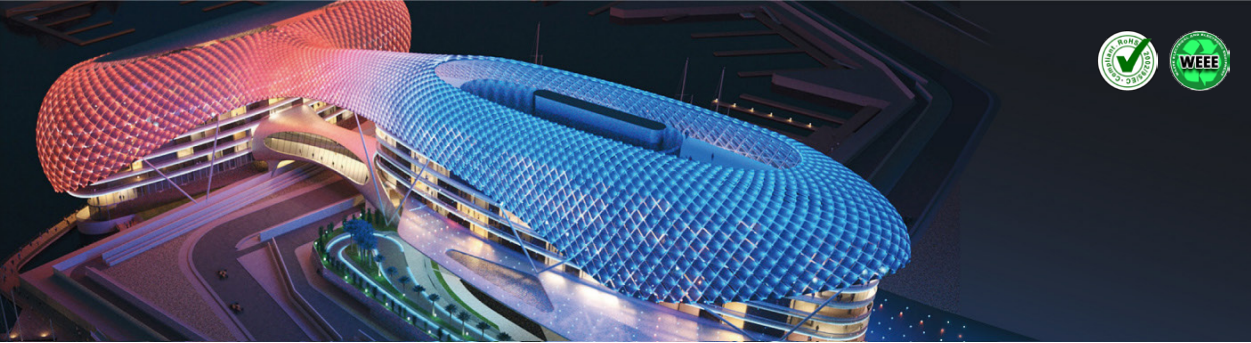
xicato[®]

Example : XSA-65-M2-B-3

XSA-65- **1** - **2** - **3**

- 1** XSM Mounting
 "M2" - M2 screw threads
 "M3" - M3 screw threads
- 2** Anodising color
 "B" - Black Anodised
 "C" - Clear Anodised
 "Z" - Custom (specify)
- 3** Mounting Options - see graphics for details
 Combinations available
 Ex. order code - 13
 means option 1 and 3 combined

MOUNTING OPTION	THREAD	THREAD DEPTH
NONE/BLANC	NONE	NONE
1	M14 x 1.5	5mm MIN.
2	#9/16-12UNC	0.19" MIN.
3	M70 x 2	Base contour



XSA-65 Pin Fin Heat Sink ϕ 70mm for Xicato

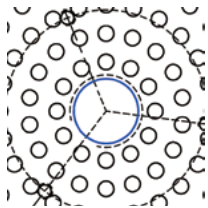
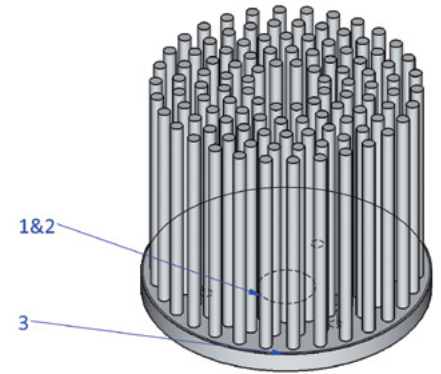
Product Details

	Total Height ^{mm}	Volume ^{mm³}	Cooling Surface ^{mm²}	Weight ^g
XSA-65	60	62191.75	66914.35	165

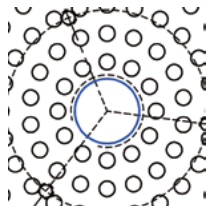
Notes:

1. MechaTronix reserves the right to change products or specifications without prior notice.
2. Mentioned models are an extraction of the full product range. For specific mechanical adaptations please contact MechaTronix.
3. All these types are made by forging process from highly conductive aluminum type AL1070 with a typical Thermal Conductivity of 209W/m-K.

Mounting Options



1 Mechanical version
Center hole tapping
M14x1.5
Through out 5mm base



2 Mechanical version
Center hole tapping
#9/16-12UNC
Through out 5mm base



3 Mechanical version
M70x2
Screw thread around
base contour

Drawings & Dimensions

Example : XSA-65-M2

Unit: mm

