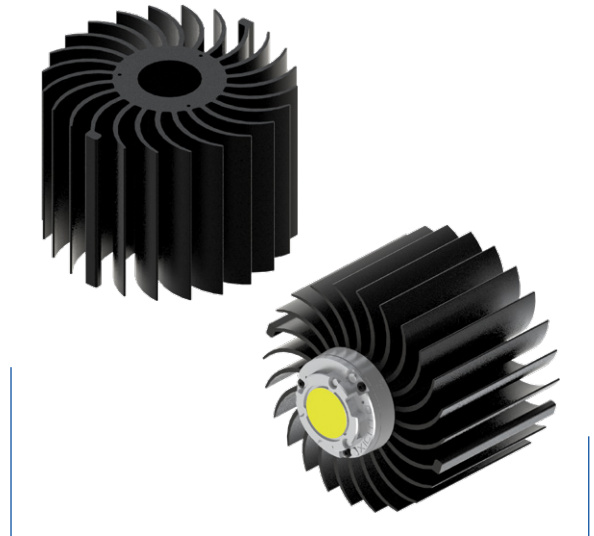


XSA-27 Xicato XSM LED Star Heat Sink ø 99mm

Features & Benefits

- Designed for Xicato XSM series - thermal class N
- Xicato accessory reference XSA-27
- Thermal resistance Rth 1.2°C/W
- Can be foreseen from M2 or M3 mounting holes
- Diameter 99.4mm base
- Standard height 70mm - other heights on request
- Extruded from highly conductive aluminium
- Standard colors - clear anodised - black anodised
- Other colors and finishings on request
(all RAL/Pantone colors available)



Order Information

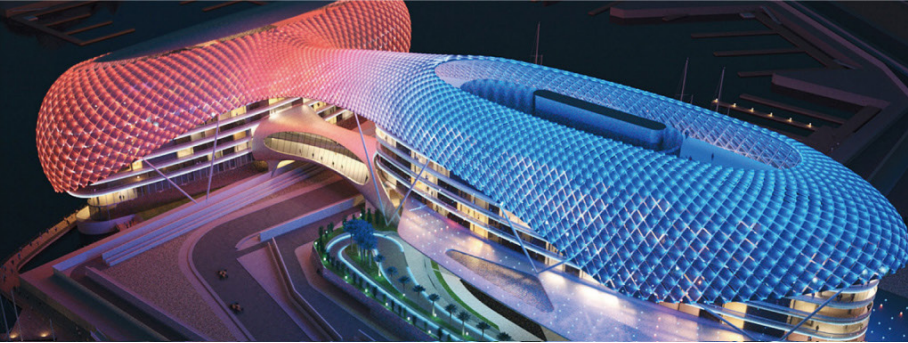
xicato[®]

Example : XSA-27-M2-B-3

XSA-27 - **1** - **2** - **3**

- 1** XSM Mounting
"M2" - M2 screw threads
"M3" - M3 screw threads
- 2** Anodising color
"B" - Black Anodised
"C" - Clear Anodised
"Z" - Custom (specify)
- 3** Mounting Options - see graphics for details
Combinations available
Ex. order code - 13
means option 1 and 3 combined

| MOUNTING OPTION | THREAD | THREAD DEPTH |
|-----------------|-----------|--------------|
| NONE/BLANC | NONE | NONE |
| 1 | M3 x 0.5 | 6mm MIN. |
| 2 | #6-32 UNC | 0.35" MIN. |
| 3 | M2 x 0.4 | 4mm MIN. |
| 4 | #4-40 UNC | 0.17" MIN. |
| 5 | M2 x 0.4 | 4mm MIN. |



XSA-27 Xicato XSM LED Star Heat Sink ϕ 99mm

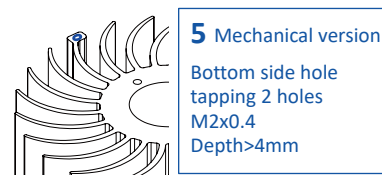
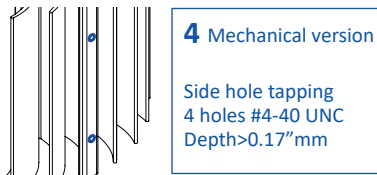
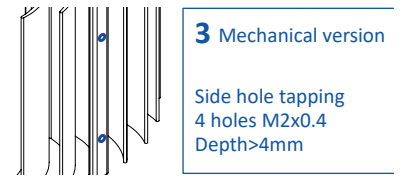
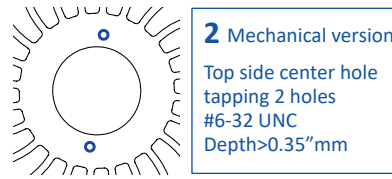
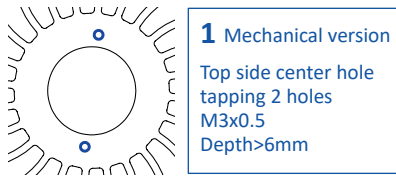
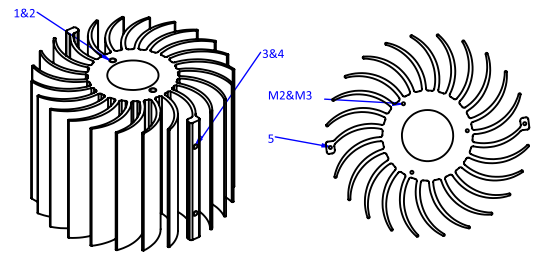
Product Details

| | Total Height ^{mm} | Rth($^{\circ}$ C/W) | Volume ^{mm³} | Cooling Surface ^{mm²} | Weight ^{gr} |
|--------|----------------------------|----------------------|----------------------------------|---|----------------------|
| XSA-27 | 70.00 | 1.2 | 169552.12 | 125880.54 | 465 |

Mounting Options

Notes:

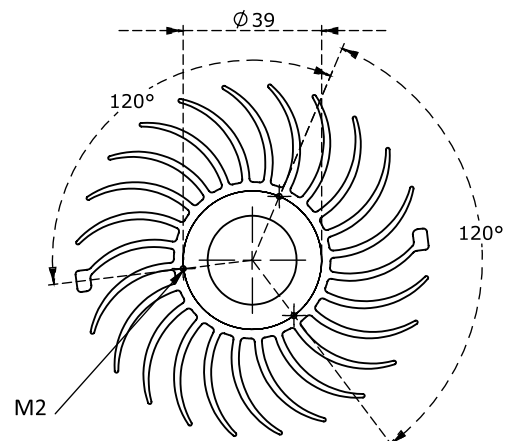
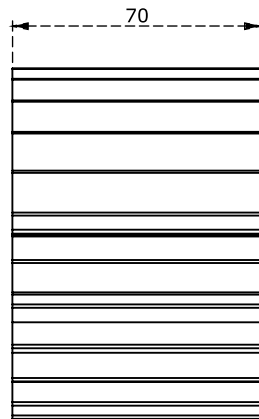
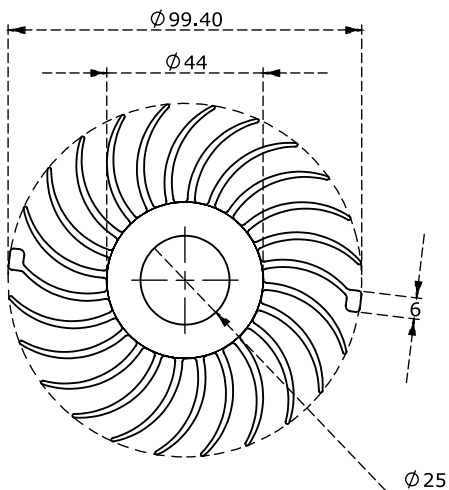
1. MechaTronix reserves the right to change products or specifications without prior notice.
2. Mentioned models are an extraction of the full product range. For specific mechanical adaptations please contact MechaTronix.
3. All these types are made by extrusion process from highly conductive aluminum type AL6063 T5 with a typical Thermal Conductivity of 209W/m-K.

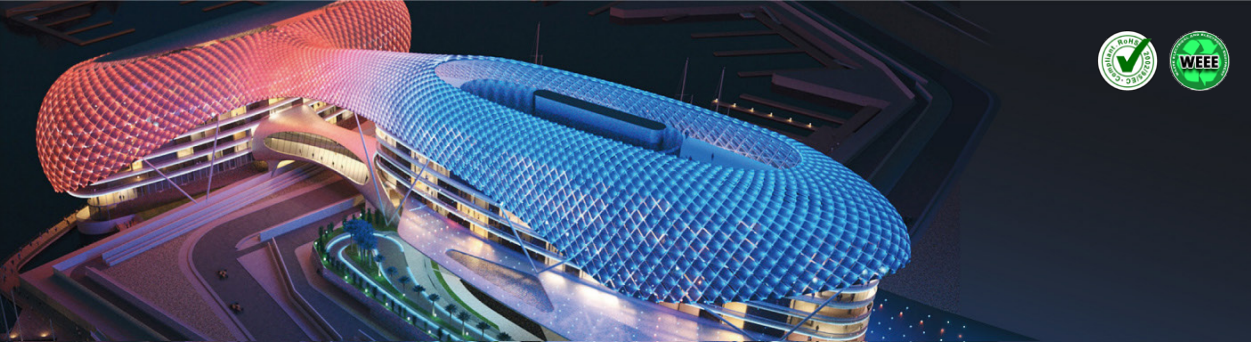


Drawings & Dimensions

Example : XSA-27-M2

Unit: mm





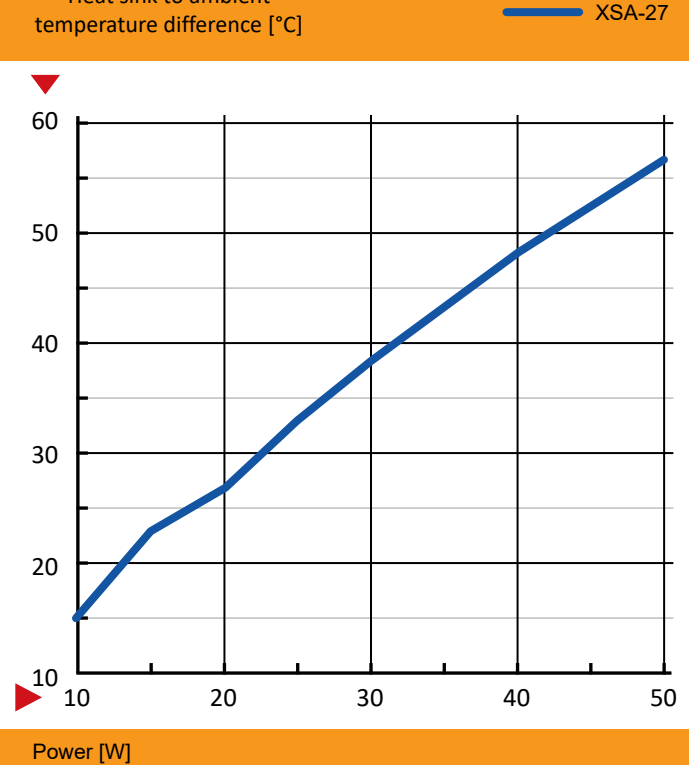
XSA-27 Xicato XSM LED Star Heat Sink \varnothing 99mm

Thermal Data

Heat sink base to ambient thermal resistance, R_{hs-amb} [K/W]

| Power (W) | XSA-27 |
|--------------|--------|
| 10 | 1.6 |
| 15 | 1.4 |
| 20 | 1.4 |
| 25 | 1.3 |
| 30 | 1.3 |
| 40 | 1.2 |
| 50 | 1.2 |
| $R_{th Av.}$ | 1.2 |

Heat sink to ambient temperature difference [°C]



Spreading resistance, R_{sp} [K/W]

| Base thickness | Ratio of light engine (LE) area over heat sink base area, ALE/Ahs [%] | t=2mm | t=3mm | t=5mm | t=10mm |
|----------------|---|-------|-------|-------|--------|
| | | 1% | 0.87 | 0.61 | 0.41 |
| 3% | 0.68 | 0.47 | 0.30 | 0.20 | |
| 5% | 0.54 | 0.37 | 0.24 | 0.15 | |
| 8% | 0.44 | 0.30 | 0.19 | 0.12 | |
| 11% | 0.36 | 0.24 | 0.15 | 0.09 | |
| 20% | 0.24 | 0.17 | 0.10 | 0.06 | |
| 32% | 0.16 | 0.11 | 0.07 | 0.04 | |
| 62% | 0.06 | 0.04 | 0.03 | 0.01 | |

Heat sink base spreading resistance, R_{sp} [K/W], based on base thickness, t

