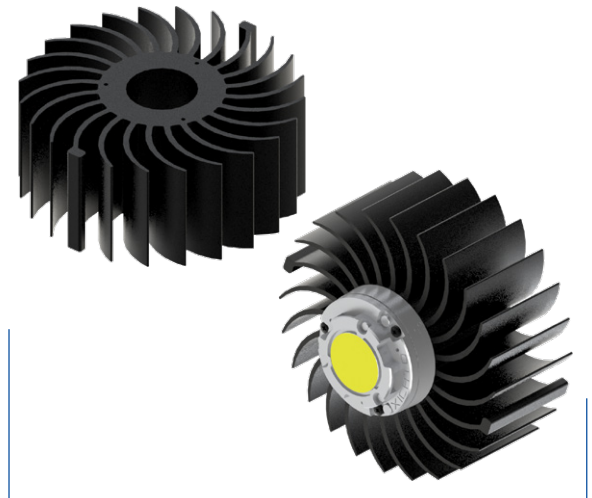


## XSA-31 Xicato XSM LED Star Heat Sink $\phi$ 99mm

### Features & Benefits

- Designed for Xicato XSM series - thermal class K
- Xicato accessory reference XSA-31
- Thermal resistance Rth 1.55°C/W
- Can be foreseen from M2 or M3 mounting holes
- Diameter 99.4mm base
- Standard height 40mm - other heights on request
- Extruded from highly conductive aluminium
- Standard colors - clear anodised - black anodised
- Other colors and finishings on request  
 ( all RAL/Pantone colors available )



### Order Information

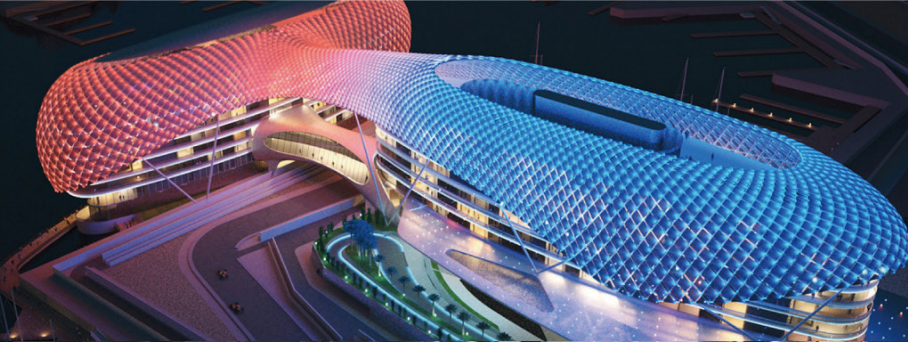
**xicato**<sup>®</sup>

Example : XSA-31-M2-B-13

XSA-31- **1** - **2** - **3**

- 1** XSM Mounting  
 "M2" - M2 screw threads  
 "M3" - M3 screw threads
- 2** Anodising color  
 "B" - Black Anodised  
 "C" - Clear Anodised  
 "Z" - Custom ( specify )
- 3** Mounting Options - see graphics for details  
 Combinations available  
 Ex. order code - 13  
 means option 1 and 3 combined

MOUNTING OPTION	THREAD	THREAD DEPTH
NONE/BLANC	NONE	NONE
1	M3 x 0.5	6mm MIN.
2	#6-32 UNC	0.35" MIN.
3	M2 x 0.4	4mm MIN.
4	#4-40 UNC	0.17" MIN.
5	M2 x 0.4	4mm MIN.



## XSA-31 Xicato XSM LED Star Heat Sink $\phi$ 99mm

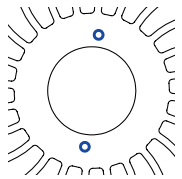
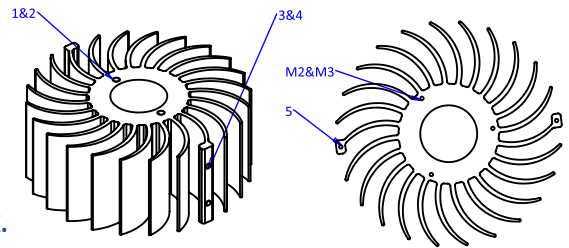
### Product Details

	Total Height <sup>mm</sup>	Rth( $^{\circ}$ C/W)	Volume <sup>mm<sup>3</sup></sup>	Cooling Surface <sup>mm<sup>2</sup></sup>	Weight <sup>gr</sup>
XSA-31	40.00	1.55	96744.17	74234.59	285

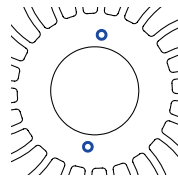
### Mounting Options

#### Notes:

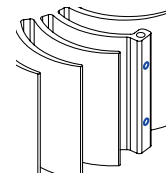
1. MechaTronix reserves the right to change products or specifications without prior notice.
2. Mentioned models are an extraction of the full product range. For specific mechanical adaptations please contact MechaTronix.
3. All these types are made by extrusion process from highly conductive aluminum type AL6063 T5 with a typical Thermal Conductivity of 209W/m-K.



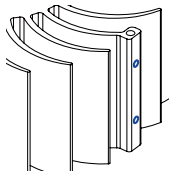
**1 Mechanical version**  
Top side center hole tapping 2 holes  
M3x0.5  
Depth>6mm



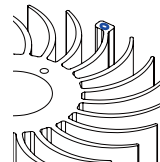
**2 Mechanical version**  
Top side center hole tapping 2 holes  
#6-32 UNC  
Depth>0.35"mm



**3 Mechanical version**  
Side hole tapping 4 holes M2x0.4  
Depth>4mm

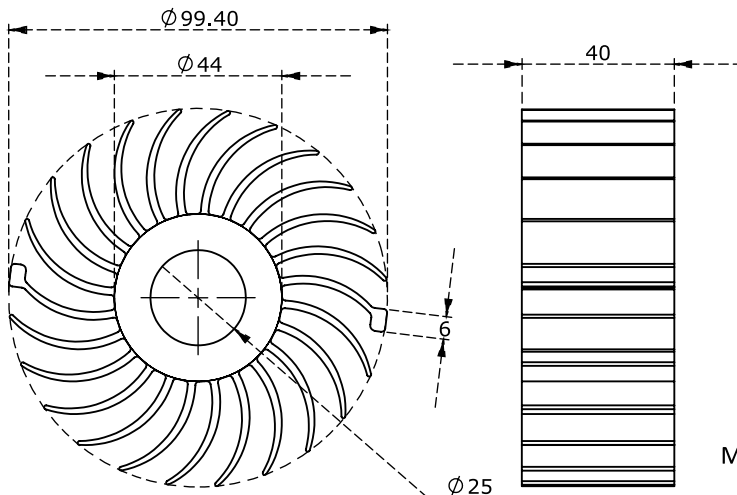


**4 Mechanical version**  
Side hole tapping 4 holes #4-40 UNC  
Depth>0.17"mm



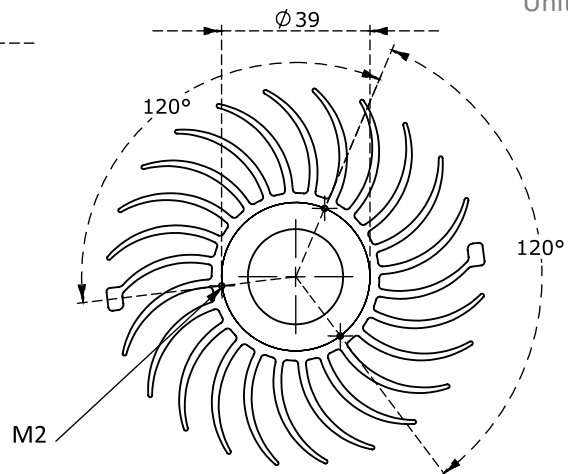
**5 Mechanical version**  
Bottom side hole tapping 2 holes  
M2x0.4  
Depth>4mm

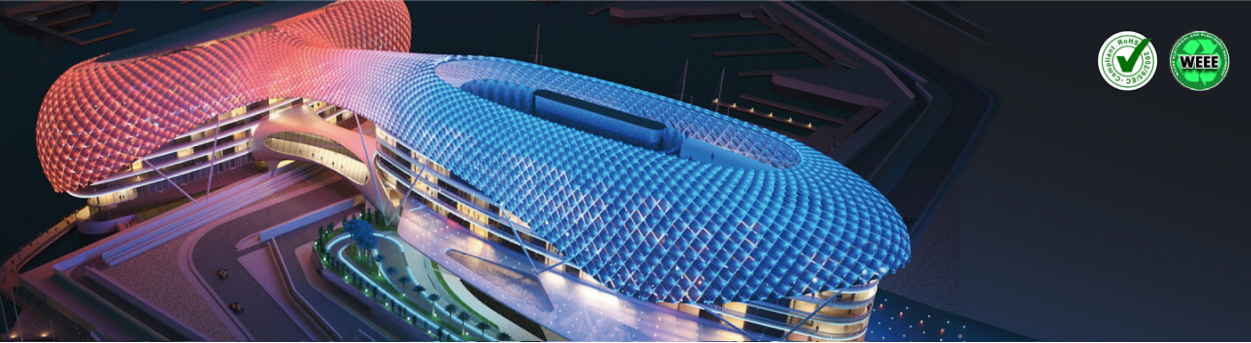
### Drawings & Dimensions



#### Example : XSA-31-M2

Unit: mm





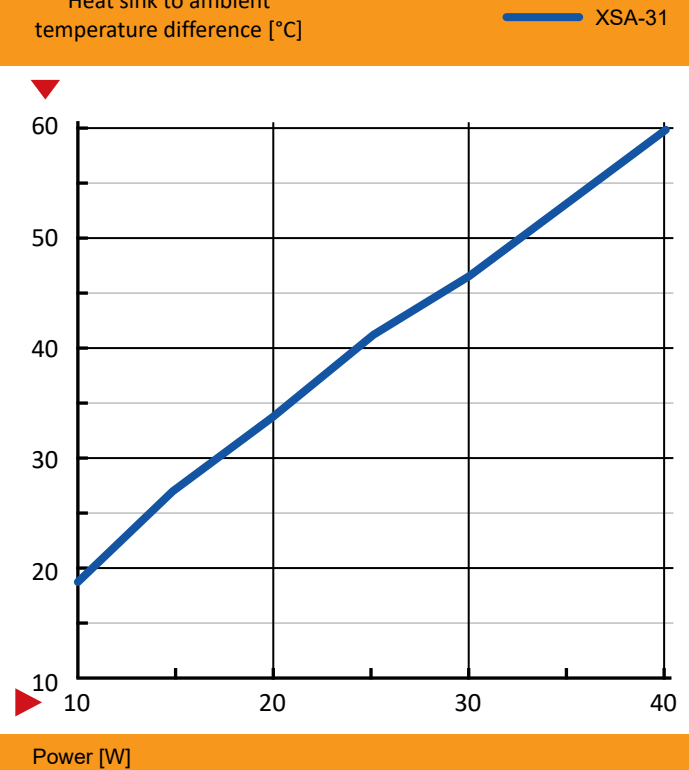
## XSA-31 Xicato XSM LED Star Heat Sink $\phi$ 99mm

### Thermal Data

#### Heat sink base to ambient thermal resistance, $R_{hs-amb}$ [K/W]

Power (W)	XSA-31
10	1.9
15	1.8
20	1.7
25	1.6
30	1.6
40	1.5
<b>Rth Av.</b>	<b>1.55</b>

#### Heat sink to ambient temperature difference [°C]



#### Spreading resistance, $R_{sp}$ [K/W]

Base thickness	Ratio of light engine (LE) area over heat sink base area, ALE/Ahs [%]	t=2mm	t=3mm	t=5mm	t=10mm
		1%	0.87	0.61	0.41
	3%	0.68	0.47	0.30	0.20
	5%	0.54	0.37	0.24	0.15
	8%	0.44	0.30	0.19	0.12
	11%	0.36	0.24	0.15	0.09
	20%	0.24	0.17	0.10	0.06
	32%	0.16	0.11	0.07	0.04
	62%	0.06	0.04	0.03	0.01

#### Heat sink base spreading resistance, $R_{sp}$ [K/W], based on base thickness, t

