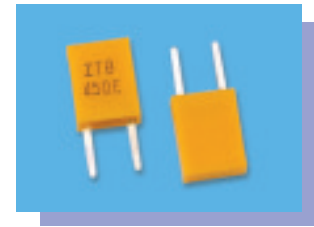


Features

- ★ Good stability
- ★ Ex-stock available

Applications

- ★ VCD player
- ★ Home appliance
- ★ Cassette recorder
- ★ Communication equipment
- ★ TV



Specifications (Characteristics)

Part Number	Frequency Range	Frequency Accuracy	Stability in Temperature (-20°C~+80°C)	Aging for Ten Years	Resonant Impedance	Load Capacitance	
						C1	C2
ZTB D	190~249KHz	±1.0KHz	±0.3%	±0.3%	≤20Ω	330pF	470pF
ZTB D	250~374KHz	±1.0KHz	±0.3%	±0.3%	≤20Ω	220pF	470pF
ZTB P	375~429KHz	±2.0KHz	±0.3%	±0.3%	≤20Ω	120pF	470pF
ZTB E	430~509KHz	±2.0KHz	±0.3%	±0.3%	≤20Ω	100pF	100pF
ZTB P	510~699KHz	±2.0KHz	±0.3%	±0.3%	≤30Ω	100pF	100pF
ZTB J	700~999KHz	±0.5%	±0.3%	±0.3%	≤70Ω	100pF	100pF
ZTB J	1000~1250KHz	±0.5%	±0.3%	±0.3%	≤100Ω	100pF	100pF

Dimension (Unit : mm)

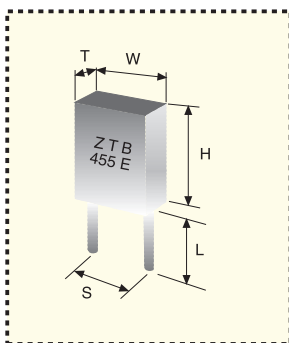
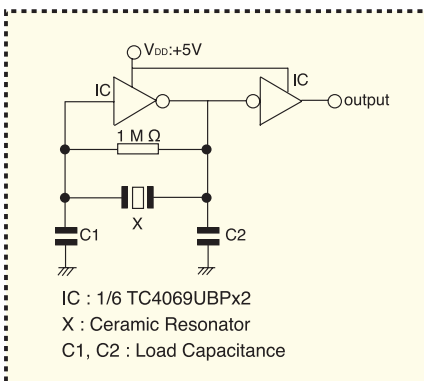


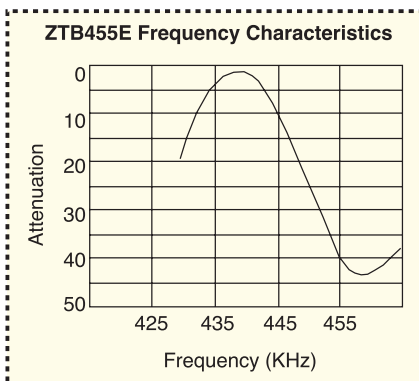
Table 1

Frequency Range	W (Width)	T (Thickness)	H (Height)	S (Lead Space)	L (Lead Length)
190~249KHz	13.5mm	3.6mm	14.7mm	10.0mm	8.0mm
250~374KHz	11.0mm	3.6mm	12.2mm	7.7mm	7.0mm
375~429KHz	7.9mm	3.6mm	9.3mm	5.0mm	6.0mm
430~699KHz	7.0mm	3.5mm	9.0mm	5.0mm	4.0 (6.0)mm
700~1250KHz	5.1mm	2.2mm	6.3mm	2.5mm	4.0mm

Test Circuit



Test Circuit



Ordering Code

Part Number Code	Holder Type + Frequency + Design Mode		
Ordering Code	Same as Above		
Example	ZTB190D	ZTB250D	ZTB375P
	ZTB430E	ZTB510P	ZTB700J
	ZTB1000J		