

# Constant Voltage LED Power Supply

SLT15-12VF-2s

SLT15-24VF-2s



## Product description:

This series was designed for compromise between an attractive price and high performance, which meets SELV standard of preventing electric shock. Protection of open circuit, short circuit, over load and over temperature increased safety in processing. Low standby power consumption complies with ERP directives. Optimized electric circuit design brings cost-effectiveness.



## Standards:

EN61347-1  
 EN61347-2-13  
 EN61547  
 EN55015  
 EN61000-3-2  
 EN61000-3-3  
 EN62384  
 EN62493

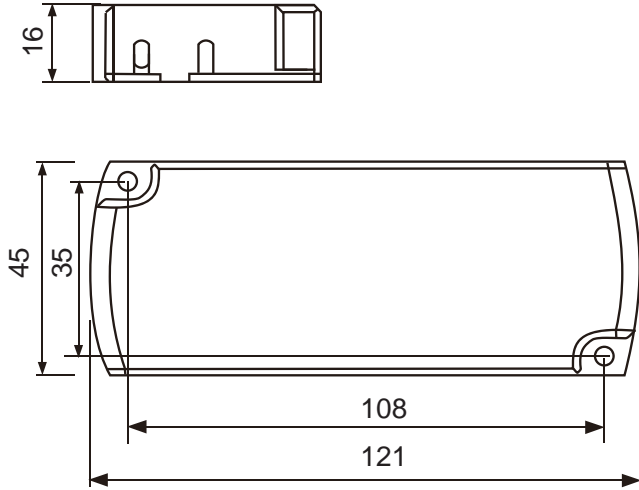
## Characteristics:

- Independent power supply for constant voltage LED lamp
- Terminal block for quick connection
- Class II protection against electric shock from direct and indirect contact
- SELV output (<60V)
- Fast start-up time  $\leq 0.5s$
- No load power consumption  $\leq 0.3W$
- Open circuit, short circuit, over load and over temperature protection
- Auto restart after fault conditions removal
- The height is 16mm
- Efficiency  $\geq 83\%$  (AC230V, full load)
- ECO design, comply with ERP directives

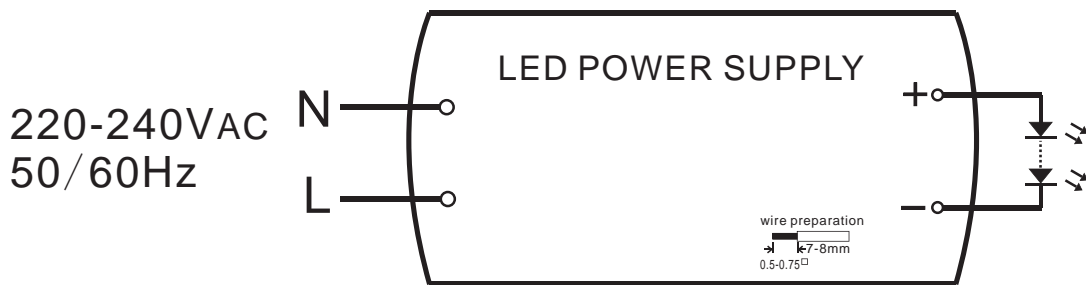
## Specifications:

| Model            | SLT15-12VF-2s   | SLT15-24VF-2s              |                |
|------------------|---|----------------------------|----------------|
| Output           | turn on time(S)   | ≤0.5                       | ≤0.5           |
|                  | output power(W)   | 15                         | 15             |
|                  | output voltage(V)   | 12                         | 24             |
|                  | output voltage tolerance <sup>1</sup>   | +/-5%                      | +/-3%          |
|                  | ripple voltage(mV)  | 460(Vp-p)                  | 800(Vp-p)      |
|                  | working current range(A)  | 0-1.25                     | 0-0.625        |
|                  | dimming interface   | No                         |                |
|                  | dimming range   | n/a                        |                |
| Input            | rated supply voltage(Vac)   | 220-240                    | 220-240        |
|                  | voltage range(Vac)  | 198-264                    | 198-264        |
|                  | line frequency(Hz)  | 50/60                      | 50/60          |
|                  | input current(mA)   | 110                        | 110            |
|                  | efficiency <sup>2</sup>   | 83.0%                      | 84.7%          |
|                  | average efficiency <sup>3</sup>   | 80.4%                      | 79.7%          |
|                  | no load power consumption(W)  | ≤0.3                       | ≤0.3           |
|                  | power factor <sup>2</sup>   | 0.70                       | 0.70           |
|                  | inrush current(Ipk)   | 24A/65us                   | 24A/65us       |
| Protection       | over voltage protection   | YES                        | YES            |
|                  | short circuit protection  | YES                        | YES            |
|                  | over temperature protection   | YES                        | YES            |
|                  | automatic restart   | YES                        | YES            |
|                  | over load protection  | YES                        | YES            |
|                  | surge capacity  | L-N: 500V                  | L-N: 500V      |
| Ambient and Life | Ta(°C)  | -20...45                   | -20...45       |
|                  | Tc max.(°C)   | 80                         | 75             |
|                  | Storage Temperature(°C)   | -30...80                   |                |
|                  | ambient humidity range  | 5%...85%RH, Not condensing |                |
|                  | nominal life-time(hrs)  | 30'000@Tc=70 C             | 30'000@Tc=75 C |
| Other            | weight(g)   | 64                         |                |
|                  | dimensions (LxWxH)(mm)  | 121x45x16                  |                |
|                  | casing material   | Plastic                    |                |
|                  | housing colour  | White                      |                |
|                  | type of protection  | IP20                       |                |
|                  | protection class  | Class II                   |                |
| Note             | <p>1. Tolerance:includes set up tolerance, line regulation and load regulation.<br/> 2. Tested at full load,230Vac.Refer to"Power Factor" and "EFFICIENT"curve graphs.<br/> 3. Calculate the model's average efficiency for each test voltage by testing at 100%, 75%, 50%, and 25% of rated current and then computing the simple arithmetic erage of these four values.<br/> 4. All parameters NOT specially mentioned are measured at nominal voltage input, rated load and 25 of ambient temperature.<br/> 5. The power supply is considered as a component that will be operated in combination with final equipment. Since EMC performance will be affected by the complete installation, the final equipment manufacturers must re-qualify EMC Directive on the complete installation again.</p> |                            |                |

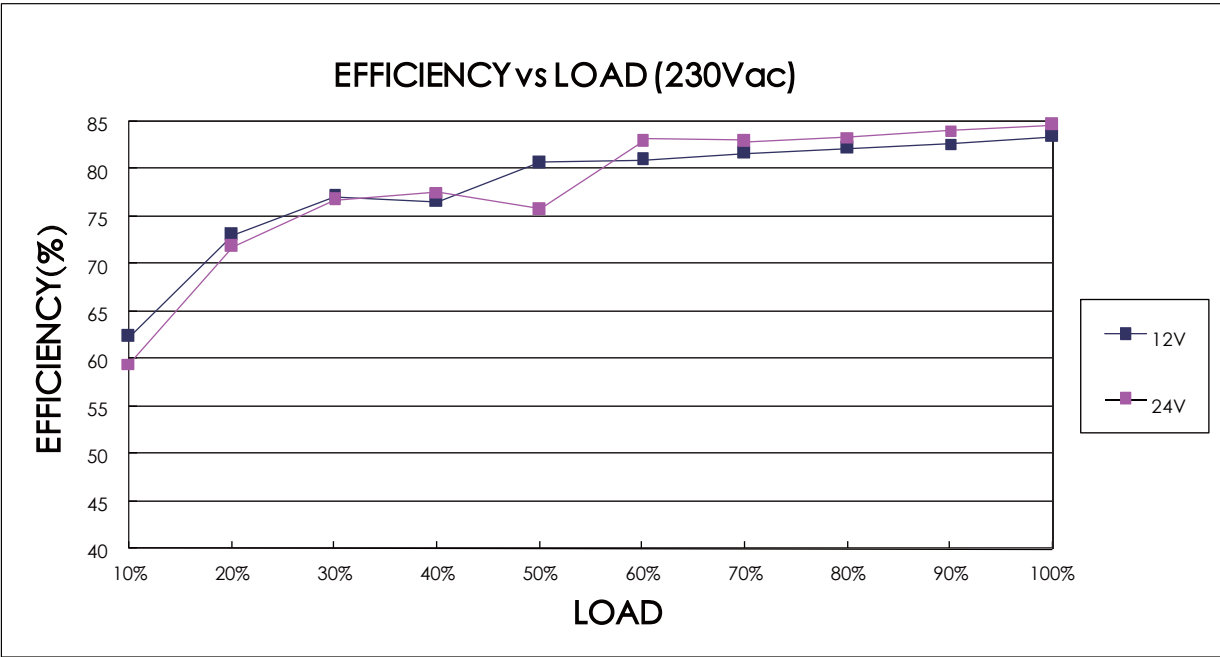
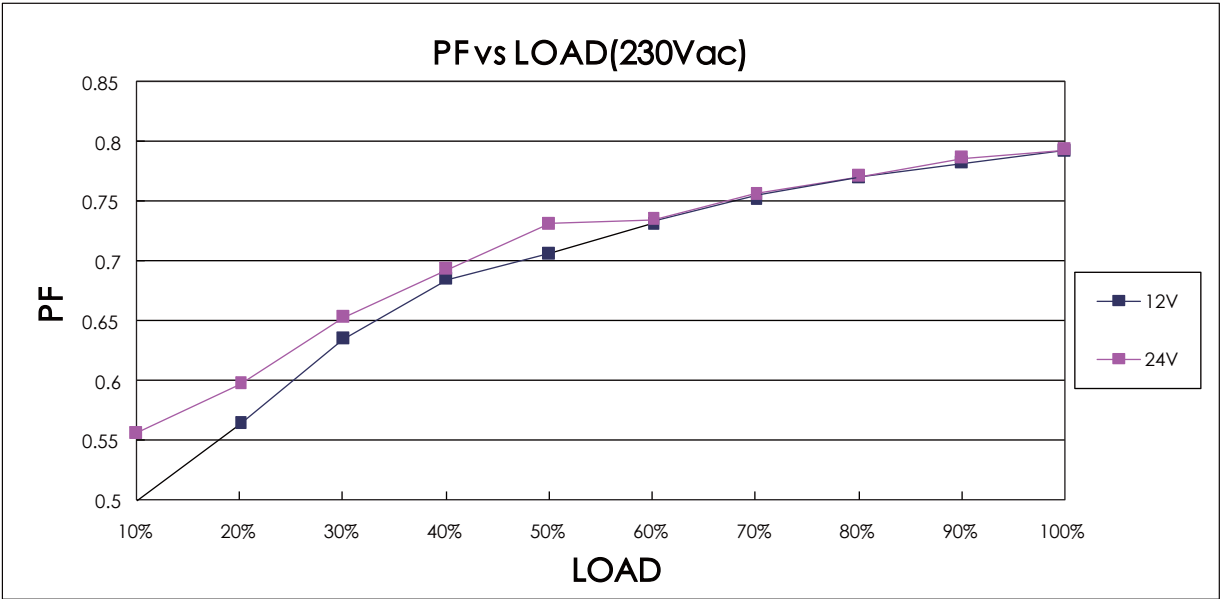
Dimensions(mm):



Wiring diagram:



Electrical curves:



note  
For constant current power supply, "LOAD" means the percentage of the maximum rated output voltage.  
For constant voltage power supply, "LOAD" means the percentage of the maximum rated output current.



## MCBS information:

| Miniature circuit breaker Model<br>Model | B10 | B13 | B16 | B20 | C10 | C13 | C16 | C20 |
|--|-----|-----|-----|-----|-----|-----|-----|-----|
| SLT15-12VF-2s                            | 40  | 55  | 70  | 87  | 72  | 87  | 119 | 140 |
| SLT15-24VF-2s                            | 40  | 55  | 70  | 87  | 72  | 87  | 119 | 140 |

## Order information:

| Order.No.        | Model         | Carton quantity(pcs) | Carton dimension(mm) | G.W./CTN(kg) |
|------------------|---------------|----------------------|----------------------|--------------|
| 1001-610140-0130 | SLT15-12VF-2s | 100                  | 275x265x270          | 8            |
| 1001-610139-0130 | SLT15-24VF-2s | 100                  | 275x265x270          | 8            |

## Sales & Technical Support:

### SELF Electronics Co.,Ltd.(Headquarters)

Add: No. 1345 JuXian Road, Ningbo Hi Tech Park, Ningbo, China 315103  
 Phone: +86-574-2880-5765, +86-574-2880-5658 (for English assistance)  
 +86-574-2880-5678 (for Chinese assistance)  
 Fax: +86-574-28805656  
 E-mail: sales@self-electronics.com  
<http://www.self-electronics.com>

### Self Electronics Co.,Ltd.,Shenzhen Office

Add: Room2007, Xinglang Xuan, Xinghemingju, Fuming Rd.,  
 Futian District, Shenzhen  
 Tel: +86-755-8355-8850  
 Fax: +86-755-8355-8840  
 E-mail: szsales@self-electronics.com

### SELF Electronics Germany GmbH

August-Horch-Str. 7, 51149 Cologne  
 Phone: +492203-18501-0  
 Fax: 492203-18501-199  
 E-mail: saleseu@self-electronics.com

\*Due to continuous improvements and innovations, specifications are subjected to change without notice.