

Constant Current LED Power Supply

SLT25-600IL-E(for independent use)

SLT25-600IB-E(for built-in use)



Product description :

It is designed for built in or independent application with compact size. The out put current can change from 250mA to 600mA by dipswitch with 50mA per step. It meets SELV standard of preventing electric shock. Open circuit, short circuit, over load and over temperature Protection enhance the safety in processing.



Standards:

EN61347-1
EN61347-2-13
EN61547
EN55015
EN61000-3-2
EN61000-3-3
EN62384
EN62493

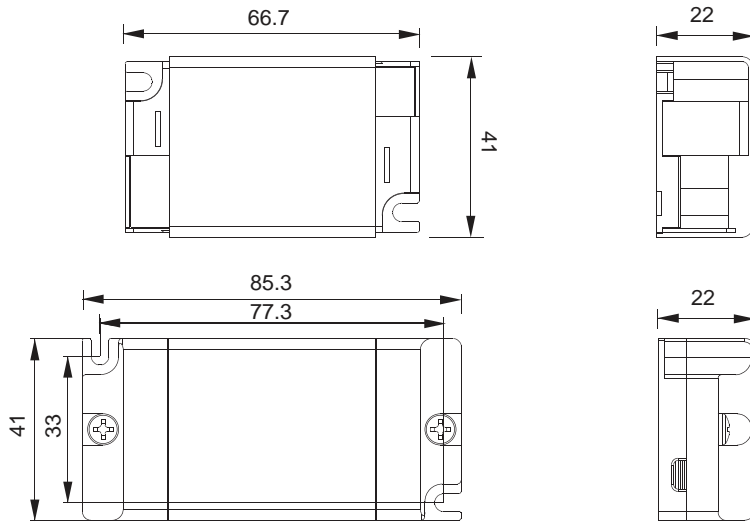
Characteristics:

- Multipower driver supplied with dip-switch for the selection of the output current.
- Class II protection against electric shock for direct or indirect contact
- Driver for built-in or independent use.
- It can be used for lighting equipment in protection class I and II
- Active Power Factor Corrector.
- Ripple free in all selectable output current
- Open circuit,short circuit,over load and over temperature protection
- Auto restart after fault conditions removal
- Warranty: 5 years

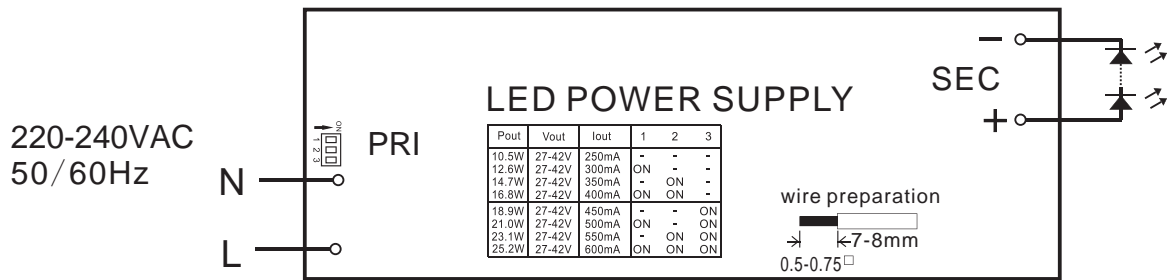
Specifications:

Model	SLT25-600IB-E(for build-in use) SLT25-600IL-E(for independent use)	
Output	turn on time(S) ¹	≤0.5
	output current(mA) ¹	250/300/350/400/450/500/550/600
	output current tolerance ²	+/-7%
	ripple current(%) ³	3
	working voltage range(V)	27-42
	output power range(W)	6.75-25.2
	Max. output voltage(V)	50
	output safety rating	SELV
	dimming interface	no
	dimming range	n/a
Input	rated supply voltage(Vac)	220-240
	voltage range(Vac)	198-264
	line frequency(Hz)	50/60
	input current(mA)	150
	input power(W) ¹	29
	efficiency ¹	87%
	power factor ¹	0.95
	THD ¹	13%
inrush current(Ipk) ¹	8.5A/10uS	
Protection	input over voltage protection	-
	short circuit protection	yes
	over temperature protection	yes
	automatic restart	yes
	over load protection	yes
	surge capacity	L-N:1KV
Ambient and Life	Ta(°C)	-20...+50
	Tc max. (°C)	90
	nominal life-time(hrs)	50000h@Tc
	guarantee(years)	5
	Storage Temperature(°C)	-30...80
	ambient humidity range	5%...85%RH, Not condensing
Other	weight(g)	80
	dimensions (LxWxH)(mm)	66.7x41x22/85.3x41x22
	casing material	Plastic
	housing colour	Grey+Blue
	connecting method	Terminal block
	type of protection	IP20
	protection class	Built-in/Class II
Note	1. At 230Vac,50Hz,full load. 2. Tolerance:includes set up tolerance,line regulation and load regulation. 3. At 230Vac,50Hz,LED load,below 200Hz	

Dimensions(mm):



Wiring diagram:

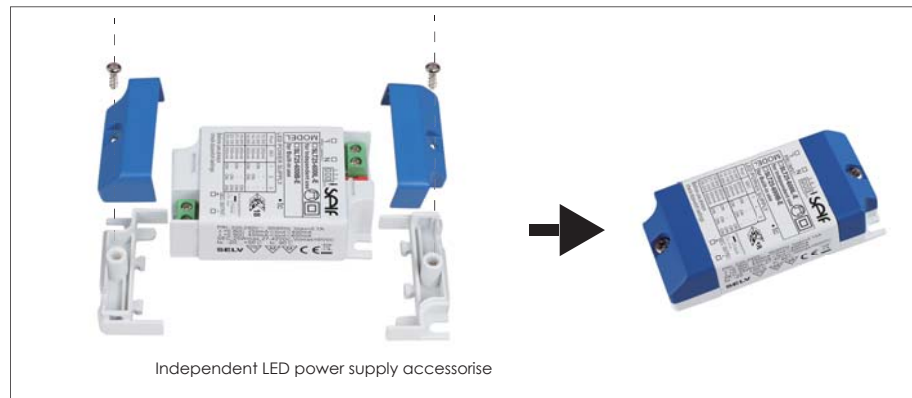


Application:

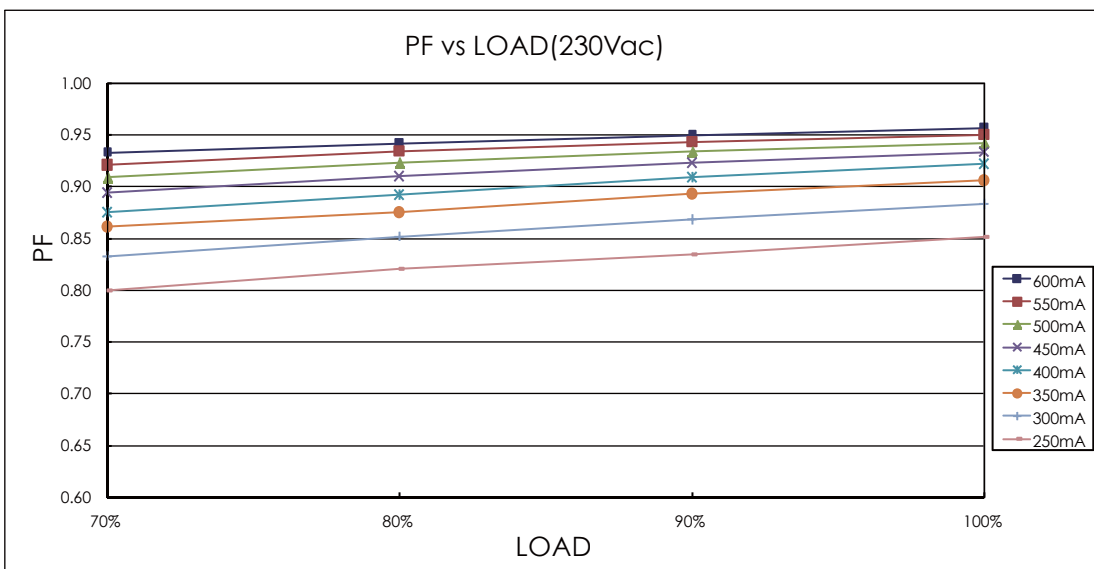
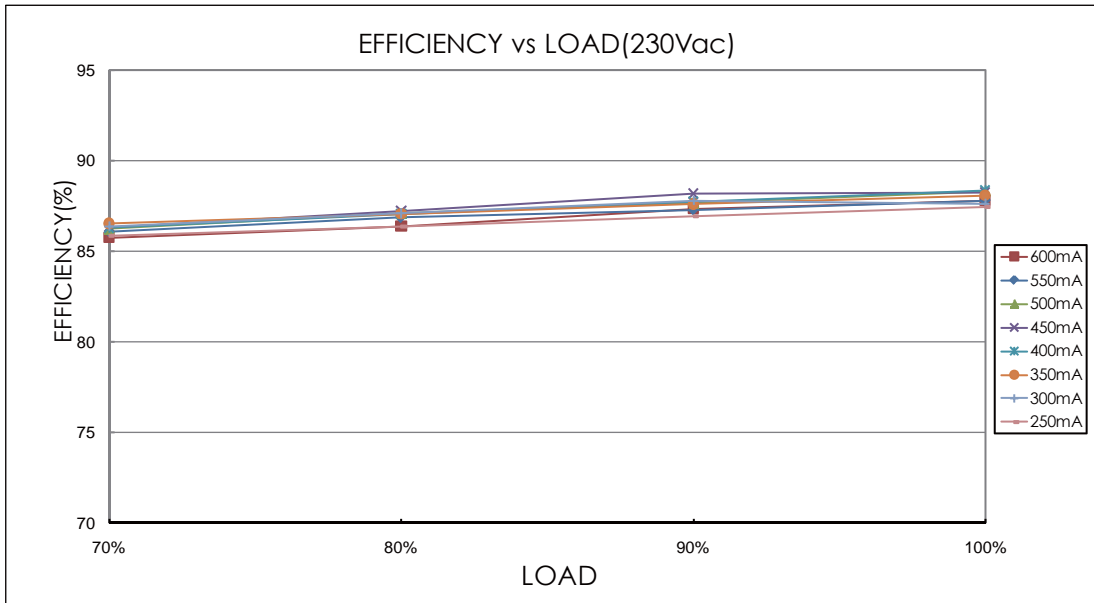
Built-in application



Independent application



Electrical curves:



note
 For constant current power supply,"LOAD" means the percentage of the maximum rated output voltage.
 For constant voltage power supply,"LOAD" means the percentage of the maximum rated output current.

MCBS information:

Miniature circuit breaker Model	B10	B13	B16	B20	C10	C13	C16	C20
SLT25-600IB-E	46	60	74	92	77	92	125	148
SLT25-600IL-E	46	60	74	92	77	92	125	148

Order information:

Order.No.	Model	Carton quantity(pcs)	Carton dimension(mm)	G.W./CTN(kg)
1001-660304-0130	SLT25-600IB-E	100	365x240x175	9.3
1001-660292-0130	SLT25-600IL-E	100	390x245x150	10.2

Sales & Technical Support:

SELF Electronics Co.,Ltd.(Headquarters)

Add: No. 1345 JuXian Road, Ningbo Hi Tech Park, Ningbo, China 315103
 Phone: +86-574-2880-5765, +86-574-2880-5658 (for English assistance)
 +86-574-2880-5678 (for Chinese assistance)
 Fax: +86-574-28805656
 E-mail: sales@self-electronics.com
<http://www.self-electronics.com>

SELF Electronics Co.,Ltd.,Shenzhen Office

Add: Room2007, Xinglang Xuan, Xinghemingju, Fuming Rd., Futian District, Shenzhen
 Tel: +86-755-8355-8850
 Fax: +86-755-8355-8840
 E-mail: szsales@self-electronics.com

SELF Electronics Germany GmbH

August-Horch-Str. 7, 51149 Cologne
 Phone: +492203-18501-0
 Fax: 492203-18501-199
 E-mail: saleseu@self-electronics.com

*Due to continuous improvements and innovations, specifications are subjected to change without notice.