

Constant Current LED Power Supply Phasecut Dimmable

SLD20-350IL-Es
SLD20-500IL-Es
SLD20-700IL-Es



Product description:

This type of power supply is an exclusively designed stabilized power supply for LED lamp. With constant current (CC) technology, it is suitable for constant current lamps (350/500/700mA) connected in a series. The output current of the converter could be dimmed between 10%-100% by trailing or leading edge dimmers. The built-in protection circuit will shut down the converter in case of such faults as: open circuit, short circuit, over load, over temperature. The power supply will restart automatically after fault correction.



Standards:

EN61347-1
EN61347-2-13
EN61547
EN55015
EN61000-3-2
EN61000-3-3
EN62384
EN62493

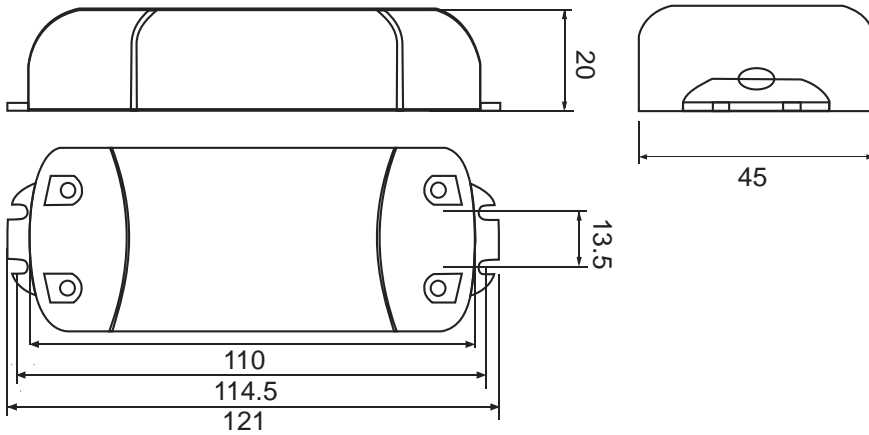
Characteristics:

- Independent dimmable power supply for constant current LED lamp
- Terminal block quick connection
- Class II protection against electric shock from direct and indirect contact
- The output current of the power supply could be dimmed between 10%-100% by trailing edge or leading edge dimmers
- Ripple free constant output current
- High compatible for different dimmers
- Quiet design, working noise is less than 30dB
- Open circuit, short circuit, over load and over temperature protection
- Auto restart after fault conditions removal Low output current ripple design
- Efficiency: 82% (AC230V, full load)
- 5 years warranty

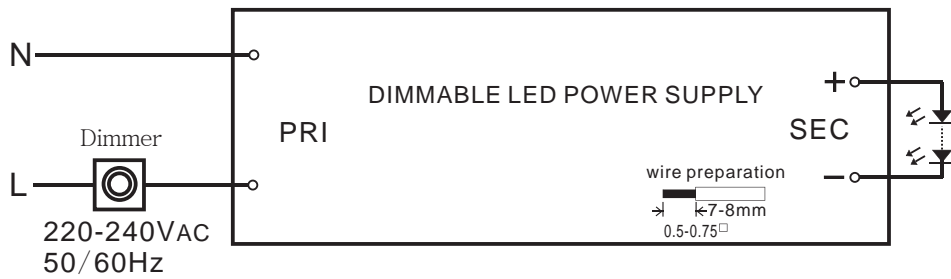
Specifications:

Model	SLD20-350IL-Es	SLD20-500IL-Es	SLD20-700IL-Es	
Output	turn on time(S)	≤0.5	≤0.5	≤0.5
	output current(mA)	350	500	700
	output current tolerance ^①	+/-5%	+/-5%	+/-5%
	ripple current(mA)	50	80	100
	working voltage range(V)	30-50	20-38	19-29
	Max. output voltage(V)	59	50	50
	dimming interface	Leading or Trailing Edge		
	dimming range	10-100%		
Input	rated supply voltage(Vac)	220-240	220-240	220-240
	voltage range(Vac)	198-264	198-264	198-264
	line frequency(Hz)	50/60	50/60	50/60
	input current(mA)	120	120	120
	efficiency ^②	81.8%	80.8%	78.5%
	power factor ^②	0.90	0.90	0.90
	inrush current(Ipk)	2A/15us	2A/15us	2A/15us
Protection	over voltage protection	320Vac,1 hour		
	short circuit protection	In case of a short circuit on the secondary side,the ECG will switche off		
	over temperature protection	ECG switches off if the temperature reaches a certain degree		
	automatic restart	ECG works in pulsed light output mode		
	over load protection	After elimination of the fault condition the ECG will recover automatically		
	surge capacity	L-N:0.5KV		
Ambient and Life	Ta(℃)	-20...40		
	Tc max. (℃)	90		
	Storage Temperature(℃)	-30...80		
	ambient humidity range	5%...85%RH, Not condensing		
	nominal life-time(hrs)	350mA:35000@TC with dimmer 500mA:35000@TC with dimmer 700mA:30000@TC with dimmer		
	weight(g)	75		
	dimensions (LxWxH)(mm)	121x45x20		
Other	casing material	Plastic		
	housing colour	Grey+Blue		
	type of protection	IP20		
	protection class	CLASS II		
Note	<p>1.Tolerance : includes set up tolerance, line regulation and load regulation.</p> <p>2.Tested at full load,230Vac.Refer to"Power Factor" and "EFFICIENT"curve graphs.</p> <p>3.All parameters NOT specially mentioned are measured at nominal voltage input, rated load, 25 of ambient temperature and no dimmer.</p> <p>4.The power supply is considered as a component that will be operated in combination with final equipment. Since EMC performance will be affected by the complete installation, the final equipment manufacturers must re-qualify EMC Directive on the complete installation again.</p>			

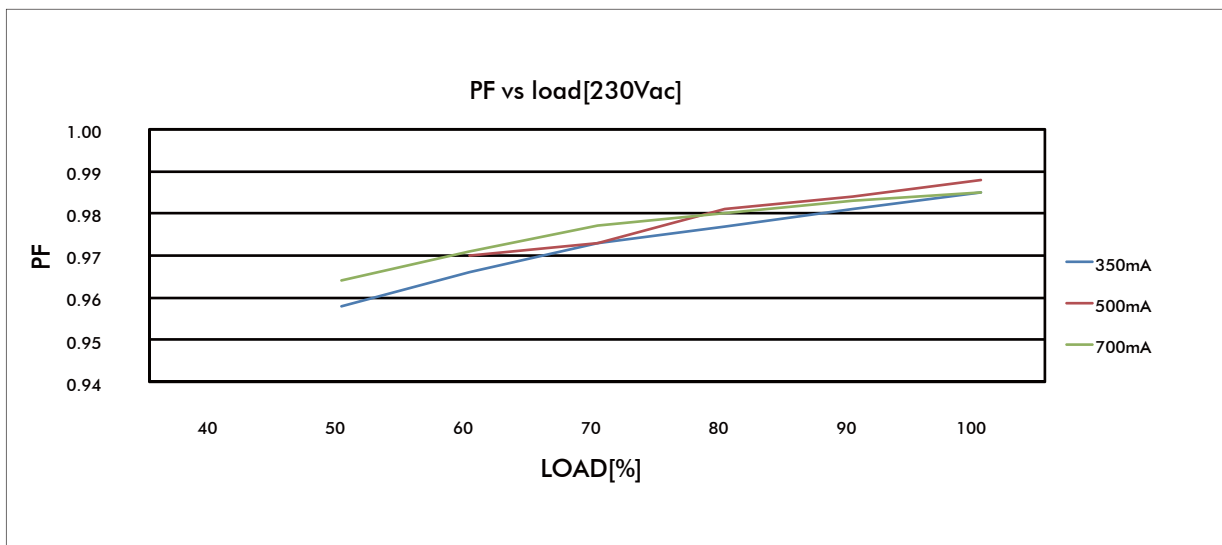
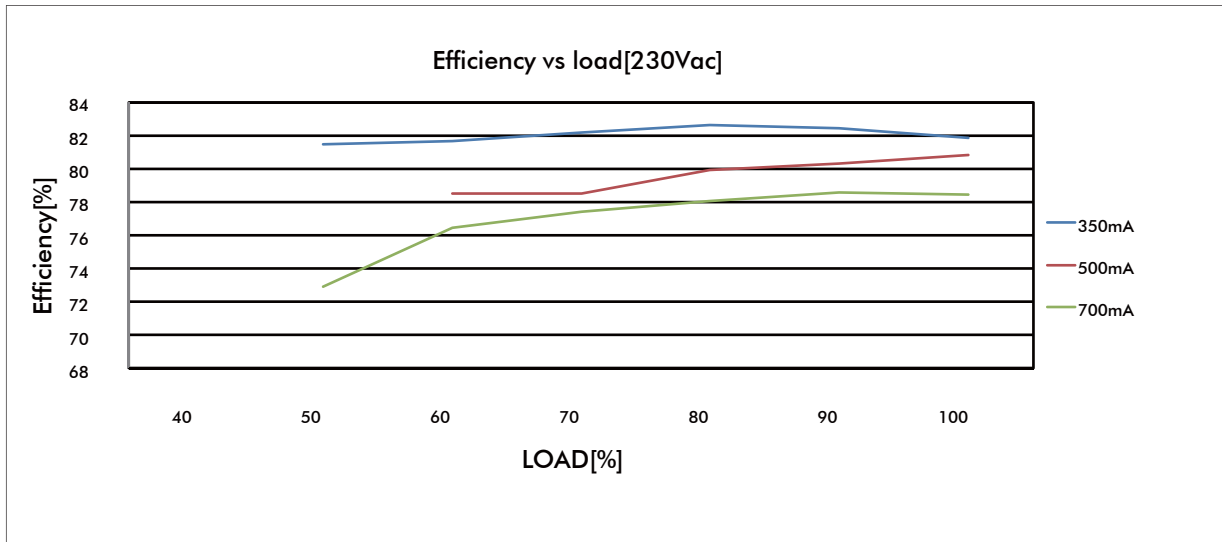
Dimensions(mm):



Wiring diagram:



Electrical curves:



MCBS information:

Miniature circuit breaker Model	B10	B13	B16	B20	C10	C13	C16	C20
SLD20-350IL-Es	40	55	70	87	72	87	119	140
SLD20-500IL-Es	40	55	70	87	72	87	119	140
SLD20-700IL-Es	40	55	70	87	72	87	119	140

Order information:

Order.No.	Model	Carton quantity(pcs)	Carton dimension(mm)	G.W./CTN(kg)
1001-660279-0130	SLD20-350IL-Es	100	275*265*270	13.5
1001-660271-0130	SLD20-500IL-Es	100	275*265*270	13.8
1001-660280-0130	SLD20-700IL-Es	100	275*265*270	12.3

Sales & Technical Support:

SELF Electronics Co.,Ltd.(Headquarters)

Add: No. 1345 JuXian Road, Ningbo Hi Tech Park, Ningbo, China 315103
 Phone: +86-574-2880-5765, +86-574-2880-5658 (for English assistance)
 +86-574-2880-5678 (for Chinese assistance)
 Fax: +86-574-28805656
 E-mail: sales@self-electronics.com
<http://www.self-electronics.com>

Self Electronics Co.,Ltd.,Shenzhen Office

Add: Room2007, Xinglang Xuan, Xinghemingju, Fuming Rd.,
 Futian District, Shenzhen
 Tel: +86-755-8355-8850
 Fax: +86-755-8355-8840
 E-mail: szsales@self-electronics.com

SELF Electronics Germany GmbH

August-Horch-Str. 7, 51149 Cologne
 Phone: +492203-18501-0
 Fax: 492203-18501-199
 E-mail: saleseu@self-electronics.com

*Due to continuous improvements and innovations, specifications are subjected to change without notice.