

ESP8684-WROOM-03

Datasheet

2.4 GHz Wi-Fi (802.11 b/g/n) and Bluetooth® 5 module

Built around ESP8684 series of SoC, RISC-V single-core microprocessor

2 MB/4 MB flash in chip package

8 GPIOs

On-board PCB antenna



ESP8684-WROOM-03



Version 0.7
Espressif Systems
Copyright © 2023

1 Module Overview

Note:

Check the link or the QR code to make sure that you use the latest version of this document:

https://espressif.com/documentation/esp8684-wroom-03_datasheet_en.pdf



1.1 Features

CPU and On-Chip Memory

- ESP8684H2 or ESP8684H4 embedded, 32-bit RISC-V single-core processor, up to 120 MHz
- 576 KB ROM
- 272 KB SRAM (16 KB for cache)
- In-Package flash (see details in Table 1 [ESP8684-WROOM-03 Series Comparison](#))
- Access to flash accelerated by cache
- Supports flash in-Circuit Programming (ICP)

Wi-Fi

- IEEE 802.11 b/g/n-compliant
 - Center frequency range of operating channel: 2412 ~ 2484 MHz
 - Supports 20 MHz bandwidth in 2.4 GHz band
 - 1T1R mode with data rate up to 72.2 Mbps
 - Wi-Fi Multimedia (WMM)
 - TX/RX A-MPDU, TX/RX A-MSDU
 - Immediate Block ACK
 - Fragmentation and defragmentation
 - Transmit opportunity (TXOP)
 - Automatic Beacon monitoring (hardware TSF)
 - 3 × virtual Wi-Fi interfaces
 - Simultaneous support for Infrastructure BSS in Station mode, SoftAP mode, Station + SoftAP mode, and promiscuous mode
- Note that when ESP8684 series scans in Station mode, the SoftAP channel will change along with*

the Station channel

Bluetooth®

- Bluetooth LE: Bluetooth 5
- High power mode (20 dBm)
- Speed: 125 kbps, 500 kbps, 1 Mbps, 2 Mbps
- Advertising extensions
- Multiple advertisement sets
- Channel selection algorithm #2
- Internal co-existence mechanism between Wi-Fi and Bluetooth to share the same antenna

Peripherals

- GPIO, SPI, UART, I2C, LED PWM controller, general DMA controller, temperature sensor, SAR ADC, timers and watchdog

Note:

* Please refer to [ESP8684 Series Datasheet](#) for detailed information about the module peripherals.

Integrated Components on Module

- 26 MHz crystal oscillator

Antenna Options

- On-board PCB antenna

Operating Conditions

- Operating voltage/Power supply: 3.0 ~ 3.6 V
- Operating ambient temperature: -40 ~ 105 °C

1.2 Description

ESP8684-WROOM-03 is a general-purpose Wi-Fi and Bluetooth LE module. The rich set of peripherals and high performance make this module an ideal choice for smart homes, industrial automation, health care, consumer electronics, etc.

ESP8684-WROOM-03 can be vertically soldered to a PCB board via wave soldering. The module has 8 available GPIOs.

ESP8684-WROOM-03 comes with a PCB antenna.

The series comparison for ESP8684-WROOM-03 is as follows:

Table 1: ESP8684-WROOM-03 Series Comparison

Ordering Code	In-Package flash	Ambient Temp. ¹ (°C)	Size ² (mm)
ESP8684-WROOM-03-H2	2 MB	-40 ~105	15.0 × 17.3 × 2.8
ESP8684-WROOM-03-H4	4 MB		

¹ Ambient temperature specifies the recommended temperature range of the environment immediately outside the Espressif module.

² For details, refer to Section 7.1 *Physical Dimensions*.

The ESP8684H2 chip and the ESP8684H4 chip fall into the same category, namely ESP8684 chip series. ESP8684 integrates a rich set of peripherals including UART, I2C, LED PWM controller, general DMA controller, temperature sensor, and SAR ADC etc.

Note:

For more information on ESP8684 chip, please refer to [ESP8684 Series Datasheet](#).

1.3 Applications

- Smart Home
 - Light control
 - Smart button
 - Smart plug
 - Indoor positioning
- Industrial Automation
 - Industrial robot
 - Industrial field bus
- Consumer Electronics
 - Smart watch and bracelet
 - Over-the-top (OTT) devices
- Logger toys and proximity sensing toys
- Health Care
 - Health monitor
 - Baby monitor
- Smart Agriculture
 - Smart greenhouse
 - Smart irrigation
 - Agriculture robot
- Retail and Catering
 - POS machines
 - Service robot

- Generic Low-power IoT Sensor Hubs
- Generic Low-power IoT Data Loggers

Contents

1	Module Overview	2
1.1	Features	2
1.2	Description	3
1.3	Applications	3
2	Block Diagram	8
3	Pin Definitions	9
3.1	Pin Layout	9
3.2	Pin Description	9
3.3	Strapping Pins	10
4	Electrical Characteristics	12
4.1	Absolute Maximum Ratings	12
4.2	Recommended Operating Conditions	12
4.3	DC Characteristics (3.3 V, 25 °C)	12
4.4	Current Consumption Characteristics	13
4.5	Wi-Fi Radio	14
4.5.1	Wi-Fi RF Standards	14
4.5.2	Wi-Fi RF Transmitter (TX) Specifications	14
4.5.3	Wi-Fi RF Receiver (RX) Specifications	15
4.6	Bluetooth LE Radio	16
4.6.1	Bluetooth LE RF Transmitter (TX) Specifications	16
4.6.2	Bluetooth LE RF Receiver (RX) Specifications	17
5	Module Schematics	20
6	Peripheral Schematics	21
7	Physical Dimensions and PCB Land Pattern	22
7.1	Physical Dimensions	22
7.2	Recommended PCB Land Pattern	23
8	Product Handling	24
8.1	Storage Conditions	24
8.2	Electrostatic Discharge (ESD)	24
8.3	Soldering Profile	24
8.3.1	Wave Profile	24
8.4	Ultrasonic Vibration	25
9	Related Documentation and Resources	26
	Revision History	27

List of Tables

1	ESP8684-WROOM-03 Series Comparison	3
2	Pin Definitions	9
3	Test Point Definitions	10
4	Strapping Pins	11
5	Parameter Descriptions of Setup and Hold Times for the Strapping Pins	11
6	Absolute Maximum Ratings	12
7	Recommended Operating Conditions	12
8	DC Characteristics (3.3 V, 25 °C)	12
9	Current Consumption Depending on RF Modes	13
10	Current Consumption in Low-Power Modes	13
11	Current Consumption in Modem-sleep Mode	13
12	Wi-Fi RF Standards	14
13	TX Power with Spectral Mask and EVM Meeting 802.11 Standards	14
14	TX EVM Test	14
15	RX Sensitivity	15
16	Maximum RX Level	15
17	RX Adjacent Channel Rejection	15
18	Transmitter General Characteristics	16
19	Transmitter Characteristics - Bluetooth LE 1 Mbps	16
20	Transmitter Characteristics - Bluetooth LE 2 Mbps	16
21	Transmitter Characteristics - Bluetooth LE 125 Kbps	17
22	Transmitter Characteristics - Bluetooth LE 500 Kbps	17
23	Receiver Characteristics - Bluetooth LE 1 Mbps	17
24	Receiver Characteristics - Bluetooth LE 2 Mbps	18
25	Receiver Characteristics - Bluetooth LE 125 Kbps	18
26	Receiver Characteristics - Bluetooth LE 500 Kbps	19

List of Figures

1	ESP8684-WROOM-03 Block Diagram	8
2	Pin Layout (Top View and Bottom View)	9
3	Setup and Hold Times for the Strapping Pins	11
4	ESP8684-WROOM-03 Schematics	20
5	Peripheral Schematics	21
6	Physical Dimensions	22
7	Recommended PCB Land Pattern	23
8	Wave Soldering Profile	24

2 Block Diagram

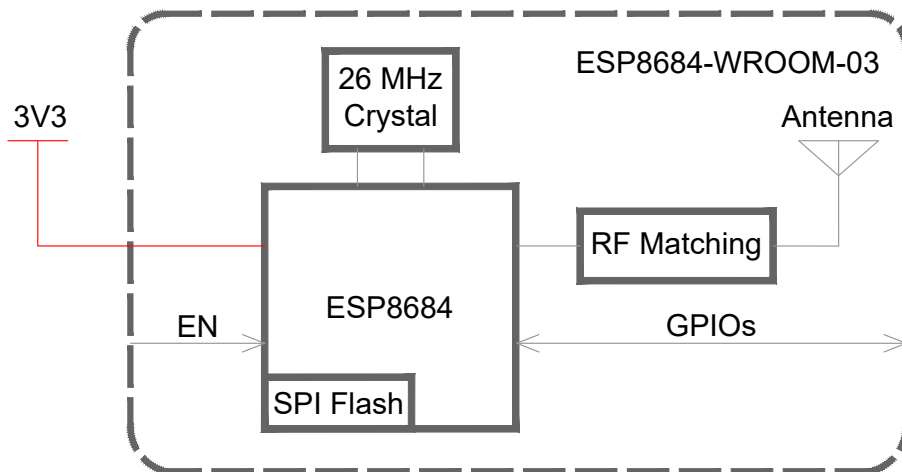


Figure 1: ESP8684-WROOM-03 Block Diagram

3 Pin Definitions

3.1 Pin Layout

The pin diagram below shows the approximate location of pins on the module. For the actual diagram drawn to scale, please refer to Figure 7.1 *Physical Dimensions*.

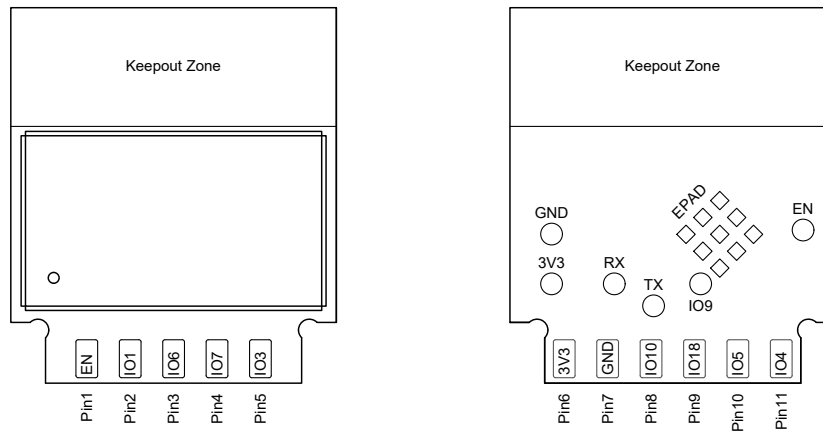


Figure 2: Pin Layout (Top View and Bottom View)

3.2 Pin Description

The module has 11 pins. See pin definitions in Table 2 *Pin Definitions*.

For peripheral pin configurations, please refer to [ESP8684 Series Datasheet](#).

Table 2: Pin Definitions

Name	No.	Type ¹	Function
EN	1	I	High: on, enables the chip. Low: off, the chip powers off. Default: internally pulled-up.
IO1	2	I/O/T	GPIO1, ADC1_CH1
IO6	3	I/O/T	GPIO6, FSPICLK, MTCK, LED PWM
IO7	4	I/O/T	GPIO7, FSPID, MTDO, LED PWM
IO3	5	I/O/T	GPIO3, ADC1_CH3, LED PWM
3V3	6	P	Power supply
GND	7	P	Ground
IO10	8	I/O/T	GPIO10, FSPICS0, UART1_RXD
IO18	9	I/O/T	GPIO18, UART1_TXD
IO5	10	I/O/T	GPIO5, FSPiWP, MTDI, LED PWM
IO4	11	I/O/T	GPIO4, ADC1_CH4, FSPiHD, MTMS, LED PWM

Table 3: Test Point Definitions

Name	Type ¹	Function
EN	I	High: on, enables the chip. Low: off, the chip powers off. Default: internally pulled-up
TX	I/O/T	GPIO20, U0TXD
RX	I/O/T	GPIO19 U0RXD
GND	P	Ground
3V3	P	Power supply
IO9	I/O/T	GPIO9

¹ P: power supply; I: input; O: output; T: high impedance.

Note:

IO0, IO1, IO3, IO5/MTDI pins have low-level glitches during chip power up. See details in section General Purpose Input / Output Interface (GPIO) of [ESP8684 Series Datasheet](#).

3.3 Strapping Pins

Note:

The content below is excerpted from Section Strapping Pins in [ESP8684 Series Datasheet](#). For the strapping pin mapping between the chip and modules, please refer to Chapter 5 *Module Schematics*.

ESP8684 series has two strapping pins:

- GPIO8
- GPIO9

Software can read the values of GPIO8 and GPIO9 from GPIO_STRAPPING field in GPIO_STRAP_REG register. For register description, please refer to Section GPIO Matrix Register Summary in [ESP8684 Technical Reference Manual](#).

During the chip's power-on reset, RTC watchdog reset, and brownout reset, the latches of the strapping pins sample the voltage level as strapping bits of "0" or "1", and hold these bits until the chip is powered down or shut down.

By default, GPIO9 is connected to the internal weak pull-up resistor. If GPIO9 is not connected or connected to an external high-impedance circuit, the latched bit value will be "1".

To change the strapping bit values, you can apply the external pull-down/pull-up resistances, or use the host MCU's GPIOs to control the voltage level of these pins when powering on ESP8684.

After reset, the strapping pins work as normal-function pins.

Table 4 lists detailed booting configurations of the strapping pins.

Table 4: Strapping Pins

Booting Mode ¹			
Pin	Default	SPI Boot	Download Boot
GPIO8	N/A	Don't care	1
GPIO9	Internal weak pull-up	1	0
Enabling/Disabling ROM Messages Print During Booting			
Pin	Default	Functionality	
GPIO8	N/A	When the value of eFuse field EFUSE_UART_PRINT_CONTROL is 0 (default), print is enabled and not controlled by GPIO8. 1, if GPIO8 is 0, print is enabled; if GPIO8 is 1, it is disabled. 2, if GPIO8 is 0, print is disabled; if GPIO8 is 1, it is enabled. 3, print is disabled and not controlled by GPIO8.	

¹ The strapping combination of GPIO8 = 0 and GPIO9 = 0 is invalid and will trigger unexpected behavior.

Figure 3 shows the setup and hold times for the strapping pins before and after the CHIP_EN signal goes high. Details about the parameters are listed in Table 5.

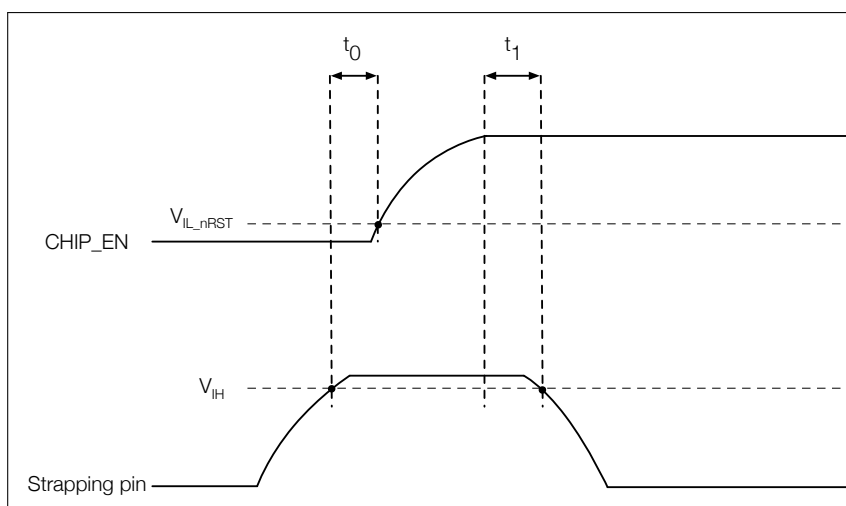


Figure 3: Setup and Hold Times for the Strapping Pins

Table 5: Parameter Descriptions of Setup and Hold Times for the Strapping Pins

Parameter	Description	Min (ms)
t_0	Setup time before CHIP_EN goes from low to high	0
t_1	Hold time after CHIP_EN goes high	3

4 Electrical Characteristics

The values presented in this section are preliminary and may change with the final release of this datasheet.

4.1 Absolute Maximum Ratings

Stresses above those listed in Table 6 *Absolute Maximum Ratings* may cause permanent damage to the device. These are stress ratings only and functional operation of the device at these or any other conditions beyond those indicated under Table 7 *Recommended Operating Conditions* is not implied. Exposure to absolute-maximum-rated conditions for extended periods may affect device reliability.

Table 6: Absolute Maximum Ratings

Symbol	Parameter	Min	Max	Unit
VDD33	Power supply voltage	-0.3	3.6	V
T _{STORE}	Storage temperature	-40	105	°C

4.2 Recommended Operating Conditions

Table 7: Recommended Operating Conditions

Symbol	Parameter	Min	Typ	Max	Unit
VDD33	Power supply voltage	3.0	3.3	3.6	V
I _{VDD}	Current delivered by external power supply	0.5	—	—	A
T _A	Operating ambient temperature	-40	—	105	°C

4.3 DC Characteristics (3.3 V, 25 °C)

Table 8: DC Characteristics (3.3 V, 25 °C)

Symbol	Parameter	Min	Typ	Max	Unit
C _{IN}	Pin capacitance	—	2	—	pF
V _{IH}	High-level input voltage	0.75 × VDD ¹	—	VDD ¹ + 0.3	V
V _{IL}	Low-level input voltage	-0.3	—	0.25 × VDD ¹	V
I _{IH}	High-level input current	—	—	50	nA
I _{IL}	Low-level input current	—	—	50	nA
V _{OH} ²	High-level output voltage	0.8 × VDD ¹	—	—	V
V _{OL} ²	Low-level output voltage	—	—	0.1 × VDD ¹	V
I _{OH}	High-level source current (VDD ¹ = 3.3 V, V _{OH} ≥ 2.64 V, PAD_DRIVER = 3)	—	40	—	mA
I _{OL}	Low-level sink current (VDD ¹ = 3.3 V, V _{OL} = 0.495 V, PAD_DRIVER = 3)	—	28	—	mA
R _{PU}	Pull-up resistor	—	45	—	kΩ
R _{PD}	Pull-down resistor	—	45	—	kΩ

V_{IH_nRST}	Chip reset release voltage	$0.75 \times VDD^1$	—	$VDD^1 + 0.3$	V
V_{IL_nRST}	Chip reset voltage	-0.3	—	$0.25 \times VDD^1$	V

¹ VDD is the I/O voltage for a particular power domain of pins.

² V_{OH} and V_{OL} are measured using high-impedance load.

4.4 Current Consumption Characteristics

Owing to the use of advanced power-management technologies, the module can switch between different power modes.

For details on different power modes, please refer to Section *Low-Power Management* in [ESP8684 Series Datasheet](#).

Table 9: Current Consumption Depending on RF Modes

Work mode	Description		Peak (mA)
Active (RF working)	TX	802.11b, 1 Mbps, @21 dBm	330
		802.11g, 54 Mbps, @19 dBm	280
		802.11n, HT20, MCS 7, @18 dBm	260
	RX	802.11b/g/n, HT20	65

¹ The current consumption measurements are taken with a 3.3 V supply at 25 °C of ambient temperature at the RF port. All transmitters' measurements are based on a 100% duty cycle.

² The current consumption figures in RX mode are for cases where the peripherals are disabled and the CPU idle.

Table 10: Current Consumption in Low-Power Modes

Work mode	Description	Typ	Unit
Light-sleep	—	140	μA
Deep-sleep	Only RTC timer is powered on	5	μA
Power off	CHIP_EN is set to low level, and the chip is powered off	1	μA

Table 11: Current Consumption in Modem-sleep Mode

Work mode	Frequency (MHz)	Description	Typ ¹ (mA)	Typ ² (mA)
Modem-sleep ³	80	WFI (Wait-for-Interrupt)	9.4	10.3
		CPU run at full speed	12.1	13.0
	120	WFI (Wait-for-Interrupt)	10.7	11.5
		CPU run at full speed	14.7	15.6

¹ Current consumption when all peripheral clocks are **disabled**.

² Current consumption when all peripheral clocks are **enabled**. In practice, the current consumption might be different depending on which peripherals are enabled.

³ In Modem-sleep mode, Wi-Fi is clock gated, and the current consumption might be higher when accessing flash. For a flash rated at 80 Mbit/s, in SPI 2-line mode the consumption is 10 mA.

4.5 Wi-Fi Radio

4.5.1 Wi-Fi RF Standards

Table 12: Wi-Fi RF Standards

Name	Description
Center frequency range of operating channel ¹	2412 ~ 2484 MHz
Wi-Fi wireless standard	IEEE 802.11b/g/n
Data rate (20 MHz)	11b: 1, 2, 5.5 and 11 Mbps 11g: 6, 9, 12, 18, 24, 36, 48, 54 Mbps 11n: MCS 0-7, 72.2 Mbps (Max)
Antenna type	PCB antenna

¹ Device should operate in the center frequency range allocated by regional regulatory authorities. Target center frequency range is configurable by software.

4.5.2 Wi-Fi RF Transmitter (TX) Specifications

Target TX power is configurable based on device or certification requirements. The default characteristics are provided in Table 13.

Table 13: TX Power with Spectral Mask and EVM Meeting 802.11 Standards

Rate	Min (dBm)	Typ (dBm)	Max (dBm)
802.11b, 1 Mbps	—	21	—
802.11b, 11 Mbps	—	21	—
802.11g, 6 Mbps	—	21	—
802.11g, 54 Mbps	—	19	—
802.11n, HT20, MCS 0	—	20	—
802.11n, HT20, MCS 7	—	18	—

Table 14: TX EVM Test

Rate	Min (dB)	Typ (dB)	SL ¹ (dB)
802.11b, 1 Mbps, @21 dBm	—	-24	-10
802.11b, 11 Mbps, @21 dBm	—	-24	-10
802.11g, 6 Mbps, @21 dBm	—	-23	-5
802.11g, 54 Mbps, @19 dBm	—	-30	-25
802.11n, HT20, MCS 0, @20 dBm	—	-25	-5
802.11n, HT20, MCS 7, @18 dBm	—	-31	-27

¹ SL stands for standard limit value.

4.5.3 Wi-Fi RF Receiver (RX) Specifications

Table 15: RX Sensitivity

Rate	Min (dBm)	Typ (dBm)	Max (dBm)
802.11b, 1 Mbps	—	-98.0	—
802.11b, 2 Mbps	—	-96.5	—
802.11b, 5.5 Mbps	—	-94.0	—
802.11b, 11 Mbps	—	-90.0	—
802.11g, 6 Mbps	—	-94.0	—
802.11g, 9 Mbps	—	-92.0	—
802.11g, 12 Mbps	—	-91.0	—
802.11g, 18 Mbps	—	-89.0	—
802.11g, 24 Mbps	—	-86.0	—
802.11g, 36 Mbps	—	-83.0	—
802.11g, 48 Mbps	—	-78.5	—
802.11g, 54 Mbps	—	-77.0	—
802.11n, HT20, MCS 0	—	-93.0	—
802.11n, HT20, MCS 1	—	-91.0	—
802.11n, HT20, MCS 2	—	-88.0	—
802.11n, HT20, MCS 3	—	-85.0	—
802.11n, HT20, MCS 4	—	-82.0	—
802.11n, HT20, MCS 5	—	-75.0	—
802.11n, HT20, MCS 6	—	-76.0	—
802.11n, HT20, MCS 7	—	-74.0	—

Table 16: Maximum RX Level

Rate	Min (dBm)	Typ (dBm)	Max (dBm)
802.11b, 1 Mbps	—	5	—
802.11b, 11 Mbps	—	5	—
802.11g, 6 Mbps	—	5	—
802.11g, 54 Mbps	—	0	—
802.11n, HT20, MCS 0	—	5	—
802.11n, HT20, MCS 7	—	0	—

Table 17: RX Adjacent Channel Rejection

Rate	Min (dB)	Typ (dB)	Max (dB)
802.11b, 1 Mbps	—	35	—
802.11b, 11 Mbps	—	35	—

Cont'd on next page

Table 17 – cont'd from previous page

Rate	Min (dB)	Typ (dB)	Max (dB)
802.11g, 6 Mbps	—	31	—
802.11g, 54 Mbps	—	20	—
802.11n, HT20, MCS 0	—	16	—
802.11n, HT20, MCS 7	—	25	—

4.6 Bluetooth LE Radio

4.6.1 Bluetooth LE RF Transmitter (TX) Specifications

Table 18: Transmitter General Characteristics

Parameter	Min	Typ	Max	Unit
RF transmit power	—	3	—	dBm
Gain control step	—	3	—	dB
RF power control range	-24	—	20	dBm

Table 19: Transmitter Characteristics - Bluetooth LE 1 Mbps

Parameter	Description	Min	Typ	Max	Unit
In-band emissions	$F = F_0 \pm 2 \text{ MHz}$	—	-32.0	—	dBm
	$F = F_0 \pm 3 \text{ MHz}$	—	-38.0	—	dBm
	$F = F_0 \pm > 3 \text{ MHz}$	—	-41.0	—	dBm
Modulation characteristics	$\Delta f_{1\text{avg}}$	—	249.0	—	kHz
	$\Delta f_{2\text{max}}$	—	246.0	—	kHz
	$\Delta f_{2\text{avg}}/\Delta f_{1\text{avg}}$	—	1.1	—	—
Carrier frequency offset	$\text{Max } f_n _{n=0, 1, 2, \dots, k}$	—	2.0	—	kHz
Carrier frequency drift	$\text{Max } f_0 - f_n _{n=2, 3, 4, \dots, k}$	—	1.0	—	kHz
	$\text{Max } f_0 - f_1 $	—	0.5	—	kHz
	$\text{Max } f_n - f_{n-5} _{n=6, 7, 8, \dots, k}$	—	1.0	—	kHz

Table 20: Transmitter Characteristics - Bluetooth LE 2 Mbps

Parameter	Description	Min	Typ	Max	Unit
In-band emissions	$F = F_0 \pm 4 \text{ MHz}$	—	-40.0	—	dBm
	$F = F_0 \pm 5 \text{ MHz}$	—	-43.0	—	dBm
	$F = F_0 \pm > 5 \text{ MHz}$	—	-44.0	—	dBm
Modulation characteristics	$\Delta f_{1\text{avg}}$	—	498.0	—	kHz
	$\Delta f_{2\text{max}}$	—	589.0	—	kHz
	$\Delta f_{2\text{avg}}/\Delta f_{1\text{avg}}$	—	1.2	—	—
Carrier frequency offset	$\text{Max } f_n _{n=0, 1, 2, \dots, k}$	—	1.0	—	kHz

Cont'd on next page

Table 20 – cont'd from previous page

Parameter	Description	Min	Typ	Max	Unit
Carrier frequency drift	Max $ f_0 - f_n _{n=2, 3, 4, \dots, k}$	—	3.0	—	kHz
	Max $ f_0 - f_1 $	—	2.4	—	kHz
	Max $ f_n - f_{n-5} _{n=6, 7, 8, \dots, k}$	—	1.2	—	kHz

Table 21: Transmitter Characteristics - Bluetooth LE 125 Kbps

Parameter	Description	Min	Typ	Max	Unit
In-band emissions	$F = F_0 \pm 2$ MHz	—	-32.0	—	dBm
	$F = F_0 \pm 3$ MHz	—	-38.0	—	dBm
	$F = F_0 \pm > 3$ MHz	—	-41.0	—	dBm
Modulation characteristics	$\Delta f_{1\text{avg}}$	—	248.0	—	kHz
	$\Delta f_{1\text{max}}$	—	224.0	—	kHz
Carrier frequency offset	Max $ f_n _{n=0, 1, 2, \dots, k}$	—	0.5	—	kHz
Carrier frequency drift	Max $ f_0 - f_n _{n=1, 2, 3, \dots, k}$	—	0.7	—	kHz
	Max $ f_0 - f_3 $	—	0.2	—	kHz
	Max $ f_n - f_{n-3} _{n=7, 8, 9, \dots, k}$	—	0.7	—	kHz

Table 22: Transmitter Characteristics - Bluetooth LE 500 Kbps

Parameter	Description	Min	Typ	Max	Unit
In-band emissions	$F = F_0 \pm 2$ MHz	—	-32.0	—	dBm
	$F = F_0 \pm 3$ MHz	—	-38.0	—	dBm
	$F = F_0 \pm > 3$ MHz	—	-41.0	—	dBm
Modulation characteristics	$\Delta f_{2\text{avg}}$	—	273.0	—	kHz
	$\Delta f_{2\text{max}}$	—	243.0	—	kHz
Carrier frequency offset	Max $ f_n _{n=0, 1, 2, \dots, k}$	—	0.5	—	kHz
Carrier frequency drift	Max $ f_0 - f_n _{n=1, 2, 3, \dots, k}$	—	0.7	—	kHz
	Max $ f_0 - f_3 $	—	0.7	—	kHz
	Max $ f_n - f_{n-3} _{n=7, 8, 9, \dots, k}$	—	0.2	—	kHz

4.6.2 Bluetooth LE RF Receiver (RX) Specifications

Table 23: Receiver Characteristics - Bluetooth LE 1 Mbps

Parameter	Description	Min	Typ	Max	Unit
Sensitivity @30.8% PER	—	—	-98	—	dBm
Maximum received signal @30.8% PER	—	—	8	—	dBm
Co-channel C/I	$F = F_0$ MHz	—	8	—	dB
Adjacent channel selectivity C/I	$F = F_0 + 1$ MHz	—	-1	—	dB
	$F = F_0 - 1$ MHz	—	-3	—	dB
	$F = F_0 + 2$ MHz	—	-26	—	dB
	$F = F_0 - 2$ MHz	—	-28	—	dB

Cont'd on next page

Table 23 – cont'd from previous page

Parameter	Description	Min	Typ	Max	Unit
	$F \geq F_0 + 3 \text{ MHz}^{(1)}$	—	—	—	dB
	$F \leq F_0 - 3 \text{ MHz}$	—	-31	—	dB
Image frequency	—	—	-33	—	dB
Adjacent channel to image frequency	$F = F_{image} + 1 \text{ MHz}$	—	-32	—	dB
	$F = F_{image} - 1 \text{ MHz}$	—	-34	—	dB
Out-of-band blocking performance	30 MHz ~ 2000 MHz	—	-23	—	dBm
	2003 MHz ~ 2399 MHz	—	-30	—	dBm
	2484 MHz ~ 2997 MHz	—	-10	—	dBm
	3000 MHz ~ 12.75 GHz	—	-17	—	dBm
Intermodulation	—	—	-31	—	dBm

¹ Refer to the value of Adjacent channel to image frequency when $F = F_{image} - 1 \text{ MHz}$.

Table 24: Receiver Characteristics - Bluetooth LE 2 Mbps

Parameter	Description	Min	Typ	Max	Unit
Sensitivity @30.8% PER	—	—	-95	—	dBm
Maximum received signal @30.8% PER	—	—	8	—	dBm
Co-channel C/I	$F = F_0 \text{ MHz}$	—	9	—	dB
Adjacent channel selectivity C/I	$F = F_0 + 2 \text{ MHz}$	—	-11	—	dB
	$F = F_0 - 2 \text{ MHz}$	—	-7	—	dB
	$F = F_0 + 4 \text{ MHz}^{(1)}$	—	—	—	dB
	$F = F_0 - 4 \text{ MHz}$	—	-30	—	dB
	$F \geq F_0 + 6 \text{ MHz}$	—	-35	—	dB
	$F \leq F_0 - 6 \text{ MHz}$	—	-29	—	dB
Image frequency	—	—	-35	—	dB
Adjacent channel to image frequency	$F = F_{image} + 2 \text{ MHz}$	—	-35	—	dB
	$F = F_{image} - 2 \text{ MHz}^{(2)}$	—	—	—	dB
Out-of-band blocking performance	30 MHz ~ 2000 MHz	—	-30	—	dBm
	2003 MHz ~ 2399 MHz	—	-34	—	dBm
	2484 MHz ~ 2997 MHz	—	-19	—	dBm
	3000 MHz ~ 12.75 GHz	—	-28	—	dBm
Intermodulation	—	—	-33	—	dBm

¹ Refer to the value of Image frequency.

² Refer to the value of Adjacent channel selectivity C/I when $F = F_0 + 2 \text{ MHz}$.

Table 25: Receiver Characteristics - Bluetooth LE 125 Kbps

Parameter	Description	Min	Typ	Max	Unit
Sensitivity @30.8% PER	—	—	-106	—	dBm
Maximum received signal @30.8% PER	—	—	8	—	dBm
Co-channel C/I	$F = F_0 \text{ MHz}$	—	3	—	dB

Cont'd on next page

Table 25 – cont'd from previous page

Parameter	Description	Min	Typ	Max	Unit
Adjacent channel selectivity C/I	$F = F_0 + 1 \text{ MHz}$	—	-7	—	dB
	$F = F_0 - 1 \text{ MHz}$	—	-5	—	dB
	$F = F_0 + 2 \text{ MHz}$	—	-35	—	dB
	$F = F_0 - 2 \text{ MHz}$	—	-34	—	dB
	$F \geq F_0 + 3 \text{ MHz}^{(1)}$	—	—	—	dB
	$F \leq F_0 - 3 \text{ MHz}$	—	-37	—	dB
Image frequency	—	—	-41	—	dB
Adjacent channel to image frequency	$F = F_{image} + 1 \text{ MHz}$	—	-43	—	dB
	$F = F_{image} - 1 \text{ MHz}$	—	-38	—	dB

¹ Refer to the value of Adjacent channel to image frequency when $F = F_{image} - 1 \text{ MHz}$.

Table 26: Receiver Characteristics - Bluetooth LE 500 Kbps

Parameter	Description	Min	Typ	Max	Unit
Sensitivity @30.8% PER	—	—	-102	—	dBm
Maximum received signal @30.8% PER	—	—	8	—	dBm
Co-channel C/I	$F = F_0 \text{ MHz}$	—	4	—	dB
Adjacent channel selectivity C/I	$F = F_0 + 1 \text{ MHz}$	—	-6	—	dB
	$F = F_0 - 1 \text{ MHz}$	—	-5	—	dB
	$F = F_0 + 2 \text{ MHz}$	—	-29	—	dB
	$F = F_0 - 2 \text{ MHz}$	—	-32	—	dB
	$F \geq F_0 + 3 \text{ MHz}^{(1)}$	—	—	—	dB
	$F \leq F_0 - 3 \text{ MHz}$	—	-36	—	dB
Image frequency	—	—	-34	—	dB
Adjacent channel to image frequency	$F = F_{image} + 1 \text{ MHz}$	—	-37	—	dB
	$F = F_{image} - 1 \text{ MHz}$	—	-31	—	dB

¹ Refer to the value of Adjacent channel to image frequency when $F = F_{image} - 1 \text{ MHz}$.

5 Module Schematics

This is the reference design of the module.

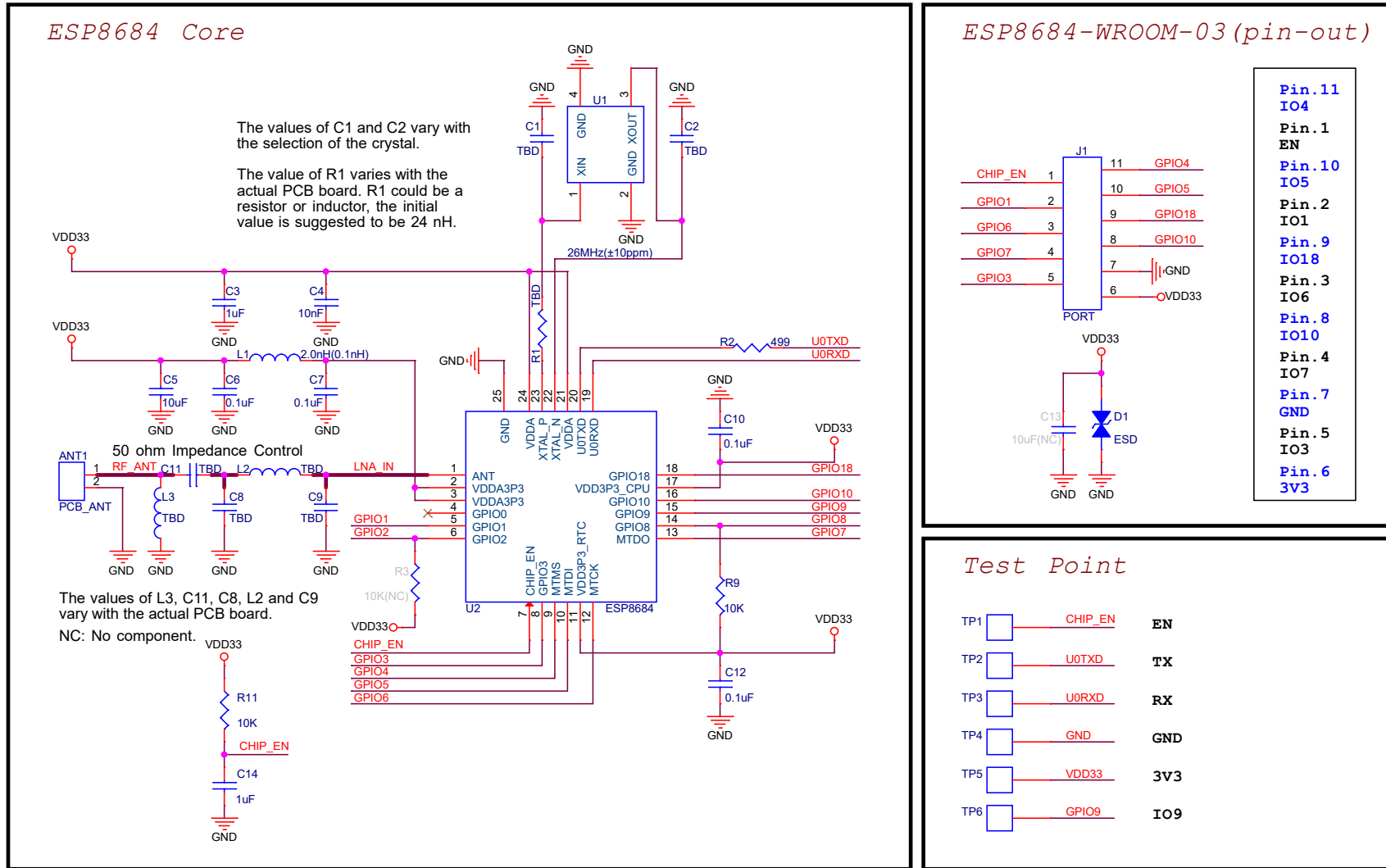


Figure 4: ESP8684-WROOM-03 Schematics

6 Peripheral Schematics

This is the typical application circuit of the module connected with peripheral components (for example, power supply, antenna, reset button, JTAG interface, and UART interface).

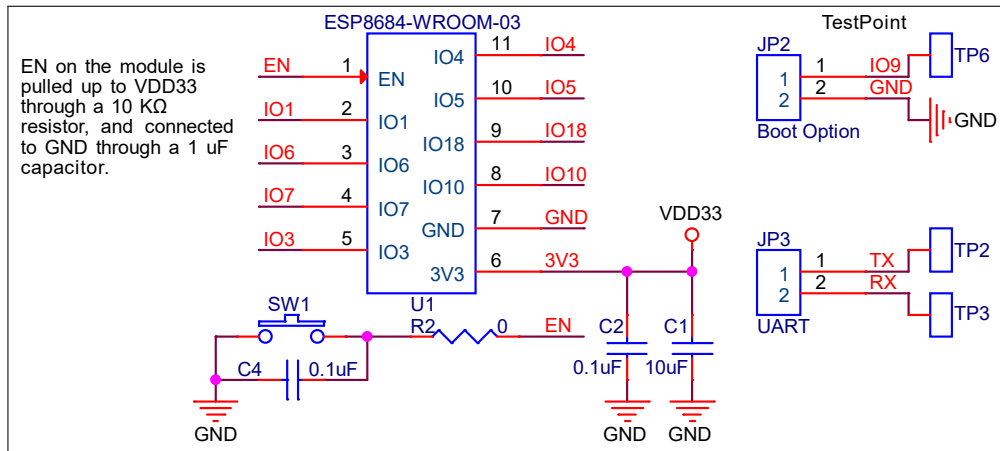


Figure 5: Peripheral Schematics

- To ensure that the power supply to the ESP8684 chip is stable during power-up, it is advised to add an RC delay circuit at the EN pin. The recommended setting for the RC delay circuit is usually $R = 10\text{ k}\Omega$ and $C = 1\ \mu\text{F}$ (such RC delay circuit has already been built into the module). However, specific parameters should be adjusted based on the power-up timing of the module and the power-up and reset sequence timing of the chip. For ESP8684's power-up and reset sequence timing diagram, please refer to Section *Power Scheme* in [ESP8684 Series Datasheet](#).

7 Physical Dimensions and PCB Land Pattern

7.1 Physical Dimensions

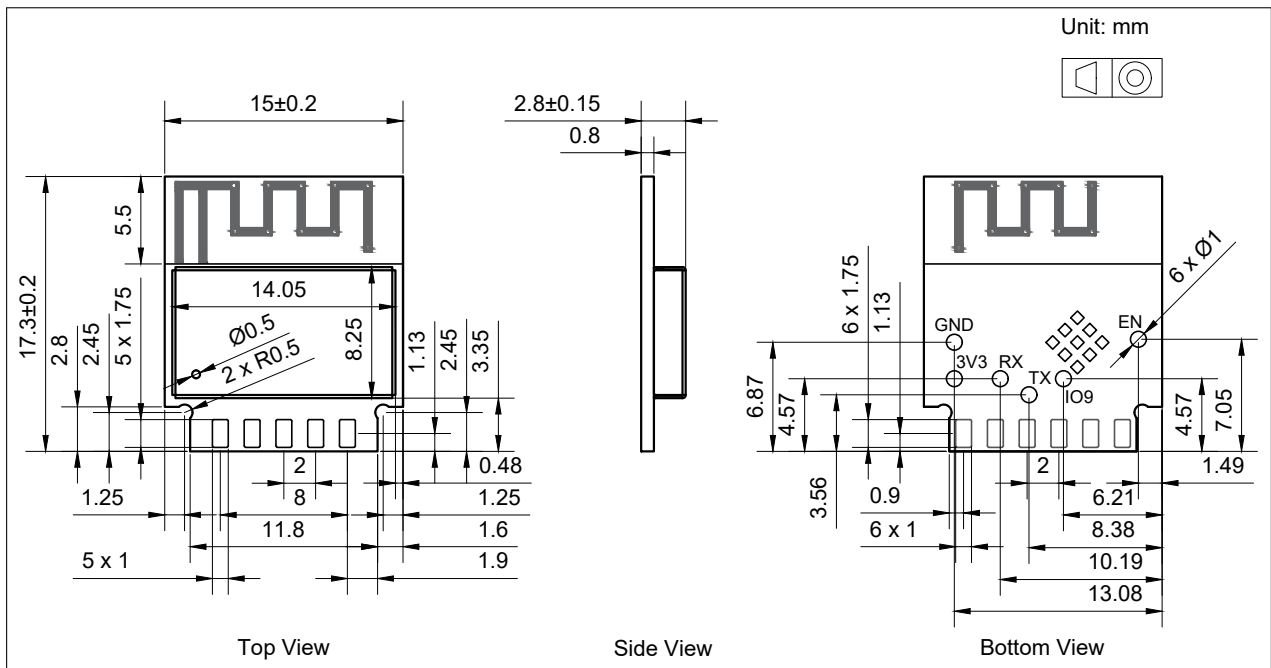


Figure 6: Physical Dimensions

Note:

For information about tape, reel, and product marking, please refer to [Espressif Module Packaging Information](#).

7.2 Recommended PCB Land Pattern

This section provides the following resources for your reference:

- Figure for the recommended PCB land pattern with all the dimensions needed for PCB design. See Figure 7 *Recommended PCB Land Pattern*.
- Source file of the recommended PCB land pattern to measure dimensions not covered in Figure 7. You can view the source files for [ESP8684-WROOM-03](#) with [Autodesk Viewer](#).

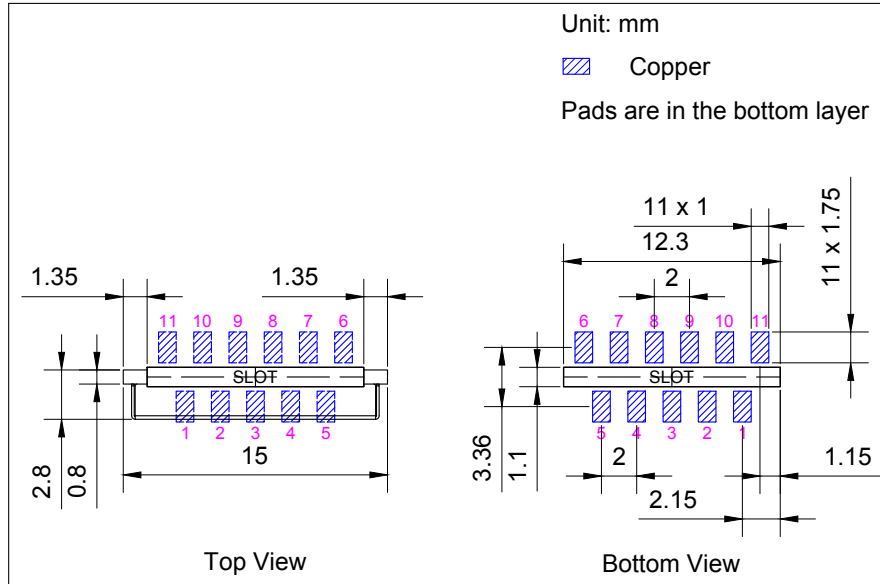


Figure 7: Recommended PCB Land Pattern

8 Product Handling

8.1 Storage Conditions

The products sealed in moisture barrier bags (MBB) should be stored in a non-condensing atmospheric environment of $< 40\text{ }^{\circ}\text{C}$ and 90%RH. The module is rated at the moisture sensitivity level (MSL) of 3.

After unpacking, the module must be soldered within 168 hours with the factory conditions $25\pm 5\text{ }^{\circ}\text{C}$ and 60%RH. If the above conditions are not met, the module needs to be baked.

8.2 Electrostatic Discharge (ESD)

- Human body model (HBM): $\pm 2000\text{ V}$
- Charged-device model (CDM): $\pm 500\text{ V}$

8.3 Soldering Profile

8.3.1 Wave Profile

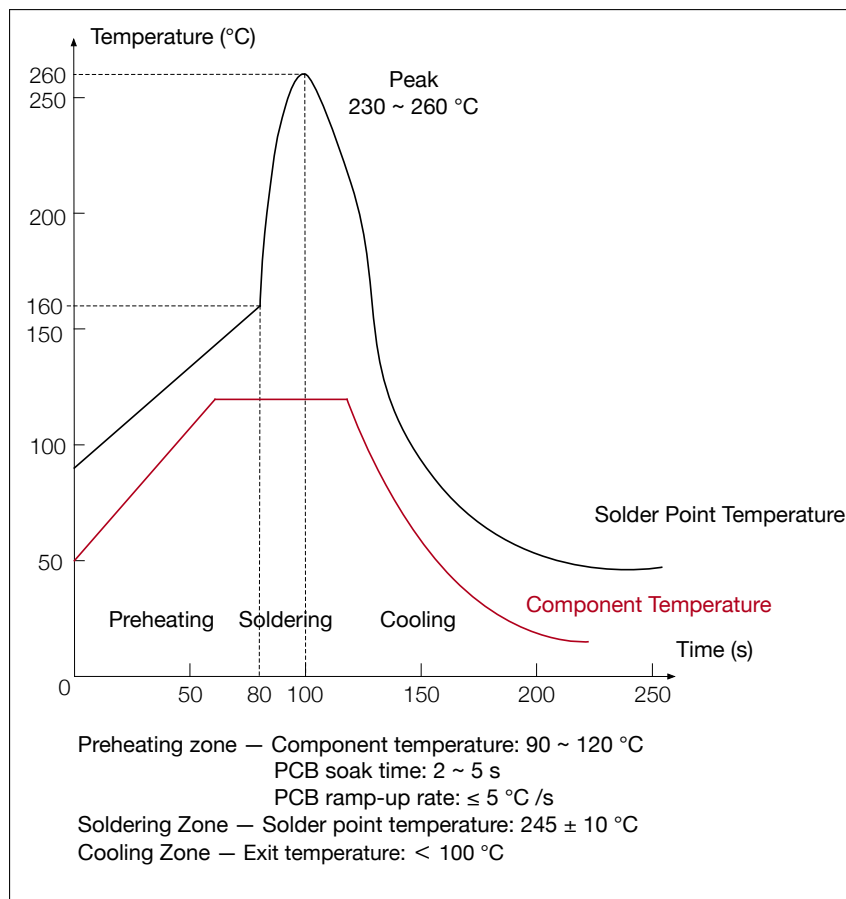


Figure 8: Wave Soldering Profile

8.4 Ultrasonic Vibration

Avoid exposing Espressif modules to vibration from ultrasonic equipment, such as ultrasonic welders or ultrasonic cleaners. This vibration may induce resonance in the in-module crystal and lead to its malfunction or even failure. As a consequence, **the module may stop working or its performance may deteriorate.**

9 Related Documentation and Resources

Related Documentation

- [ESP8684 Series Datasheet](#) – Specifications of the ESP8684 hardware.
- [ESP8684 Technical Reference Manual](#) – Detailed information on how to use the ESP8684 memory and peripherals.
- [ESP8684 Hardware Design Guidelines](#) – Guidelines on how to integrate the ESP8684 into your hardware product.
- *Certificates*
<https://espressif.com/en/support/documents/certificates>
- *ESP8684 Product/Process Change Notifications (PCN)*
<https://espressif.com/en/support/documents/pcns?keys=ESP8684>
- *Documentation Updates and Update Notification Subscription*
<https://espressif.com/en/support/download/documents>

Developer Zone

- [ESP-IDF Programming Guide for ESP8684](#) – Extensive documentation for the ESP-IDF development framework.
- *ESP-IDF* and other development frameworks on GitHub.
<https://github.com/espressif>
- *ESP32 BBS Forum* – Engineer-to-Engineer (E2E) Community for Espressif products where you can post questions, share knowledge, explore ideas, and help solve problems with fellow engineers.
<https://esp32.com/>
- *The ESP Journal* – Best Practices, Articles, and Notes from Espressif folks.
<https://blog.espressif.com/>
- See the tabs *SDKs and Demos*, *Apps*, *Tools*, *AT Firmware*.
<https://espressif.com/en/support/download/sdks-demos>

Products

- *ESP8684 Series SoCs* – Browse through all ESP8684 SoCs.
<https://espressif.com/en/products/socs?id=ESP8684>
- *ESP8684 Series Modules* – Browse through all ESP8684-based modules.
<https://espressif.com/en/products/modules?id=ESP8684>
- *ESP8684 Series DevKits* – Browse through all ESP8684-based devkits.
<https://espressif.com/en/products/devkits?id=ESP8684>
- *ESP Product Selector* – Find an Espressif hardware product suitable for your needs by comparing or applying filters.
<https://products.espressif.com/#/product-selector?language=en>

Contact Us

- See the tabs *Sales Questions*, *Technical Enquiries*, *Circuit Schematic & PCB Design Review*, *Get Samples* (Online stores), *Become Our Supplier*, *Comments & Suggestions*.
<https://espressif.com/en/contact-us/sales-questions>

Revision History

Date	Version	Release notes
2023-06-25	v0.7	<ul style="list-style-type: none">• Updated 3.1 Pin Layout• Updated 2 Pin Definitions• Updated 5 Module Schematics• Updated 6 Peripheral Schematics• Updated 7.1 Physical Dimensions
2022-12-27	v0.6	Added a note to table 2 Pin Definitions
2022-08-22	v0.5	Preliminary release
2022-04-15	v0.1	Draft



www.espressif.com

Disclaimer and Copyright Notice

Information in this document, including URL references, is subject to change without notice.

ALL THIRD PARTY'S INFORMATION IN THIS DOCUMENT IS PROVIDED AS IS WITH NO WARRANTIES TO ITS AUTHENTICITY AND ACCURACY.

NO WARRANTY IS PROVIDED TO THIS DOCUMENT FOR ITS MERCHANTABILITY, NON-INFRINGEMENT, FITNESS FOR ANY PARTICULAR PURPOSE, NOR DOES ANY WARRANTY OTHERWISE ARISING OUT OF ANY PROPOSAL, SPECIFICATION OR SAMPLE.

All liability, including liability for infringement of any proprietary rights, relating to use of information in this document is disclaimed. No licenses express or implied, by estoppel or otherwise, to any intellectual property rights are granted herein.

The Wi-Fi Alliance Member logo is a trademark of the Wi-Fi Alliance. The Bluetooth logo is a registered trademark of Bluetooth SIG.

All trade names, trademarks and registered trademarks mentioned in this document are property of their respective owners, and are hereby acknowledged.

Copyright © 2023 Espressif Systems (Shanghai) Co., Ltd. All rights reserved.