

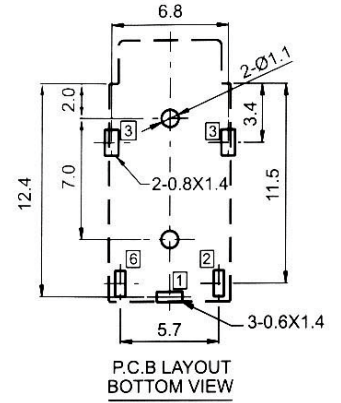
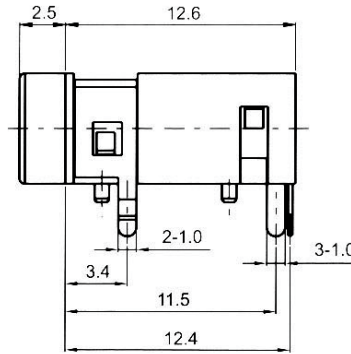
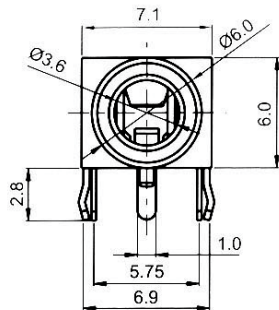
# CLIFF

## 3.5mm 4 Pole Jack Sockets & Plugs



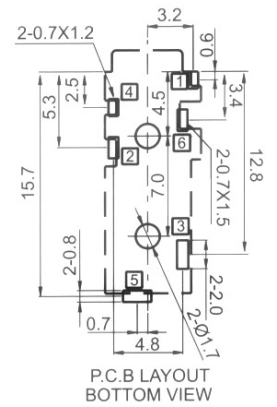
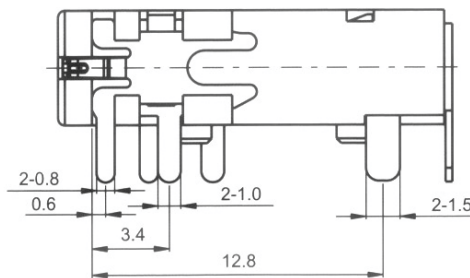
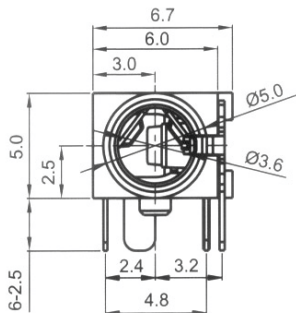
**FC68125**

Model No.	FC68125
Schematic	



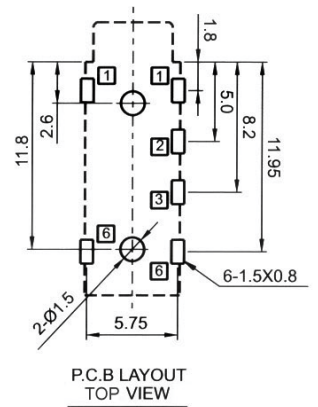
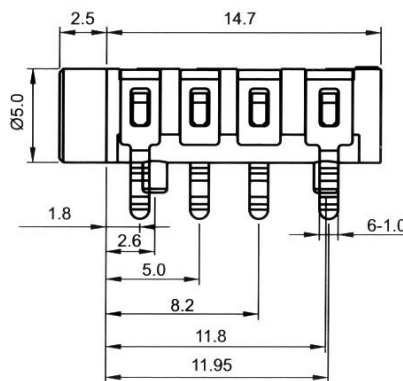
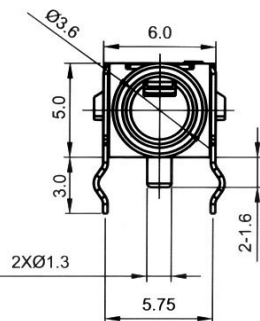
**FC68126, FC68127**

Model No.	Schematic
FC68126	
FC68127	



**FC68128**

Model No.	FC68128
Schematic	

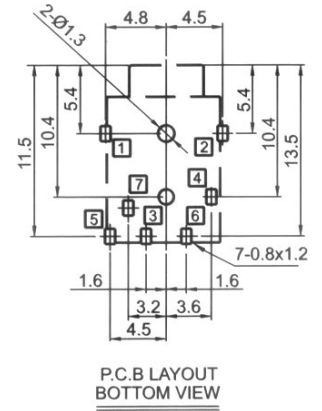
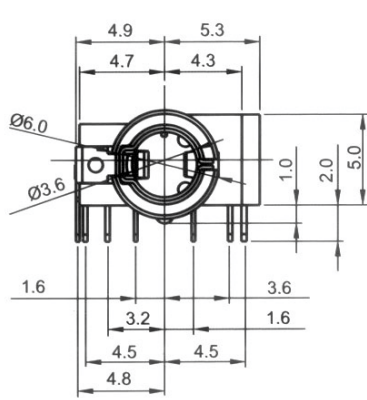
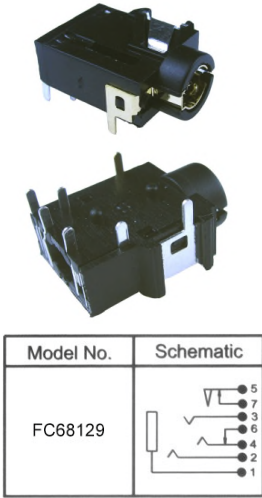


Not compatible with plug FC68124 or FC68124M. Suitable only for Jack plug cable FC68122C.

# CLIFF

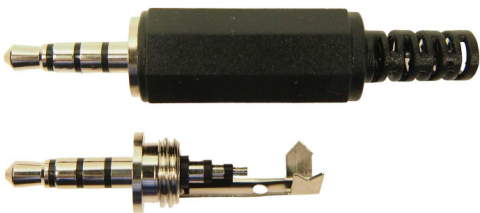
## 3.5mm 4 Pole Jack Sockets & Plugs

### FC68129

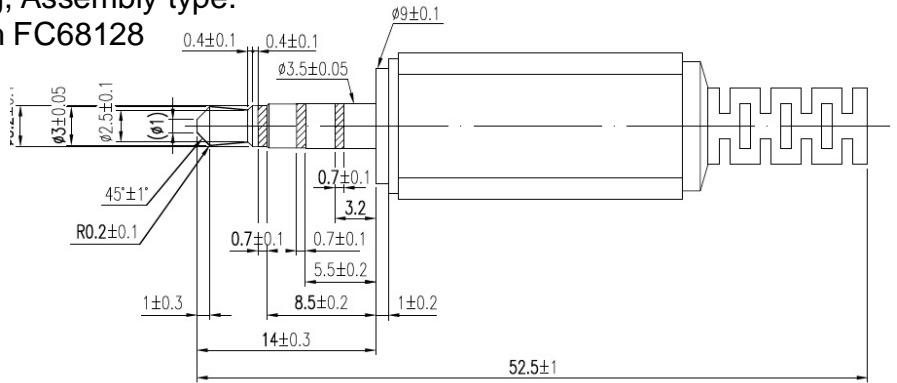


### FC68124 - 3.5mm 4 pole Jack Plug, Assembly type.

Note: This plug is not to be used with FC68128



Max. cable diameter  $\varnothing 4\text{mm}$

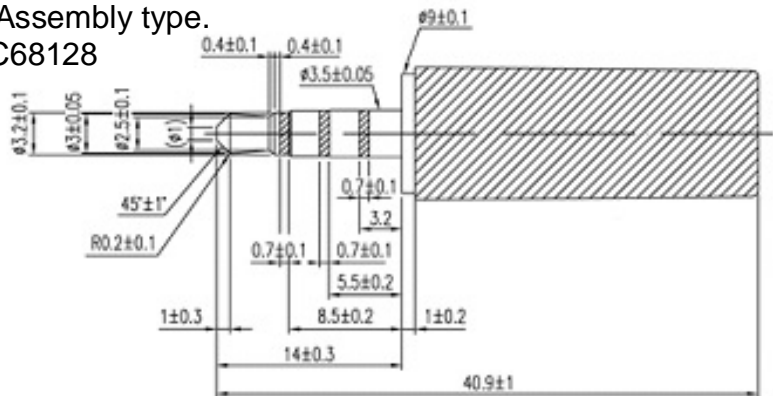


### FC681245 - 3.5mm 4 pole Jack Plug, Assembly type.

Note: This plug is not to be used with FC68128



Max. cable diameter  $\varnothing 5.5\text{mm}$

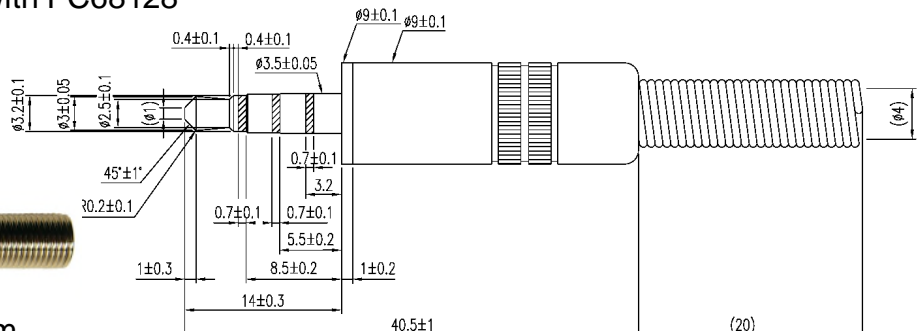


### FC68124M - RFI Shielded 3.5mm 4 pole Jack Plug, Assembly type.

Note: This plug is not to be used with FC68128



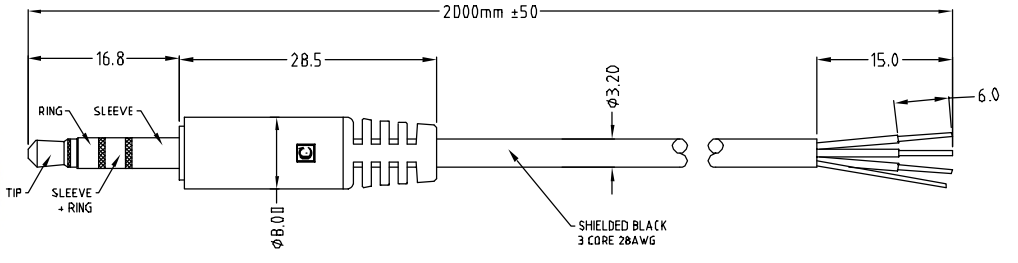
Max. cable diameter  $\varnothing 4\text{mm}$



# CLIFF

## 3.5mm 4 Pole Jack Sockets & Plugs

FC68122C



For use with FC68128

For further information, contact [sales@cliffuk.co.uk](mailto:sales@cliffuk.co.uk)

**Cliff Electronic Components Limited,**  
76 Holmethorpe Avenue, Holmethorpe Ind. Estate,  
Redhill, Surrey RH1 2PF U.K.  
Tel: +44 (0)1737 771375 Fax: +44 (0)1737 766012



[www.cliffuk.co.uk](http://www.cliffuk.co.uk)