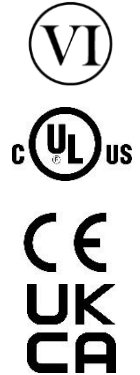




120W Desktop C14 Adapter Series



Features

- Non-Vented Case
- US DoE Level VI Efficiency Compliance
- Ecodesign/ErP Lot 7 (EU) 2019/1782 Compliance
- EU CoC Ver 5 Tier 2 Compliance
- Class B EMI

Applications

- Industrial
- Test and Measurement
- Peripherals
- Networking





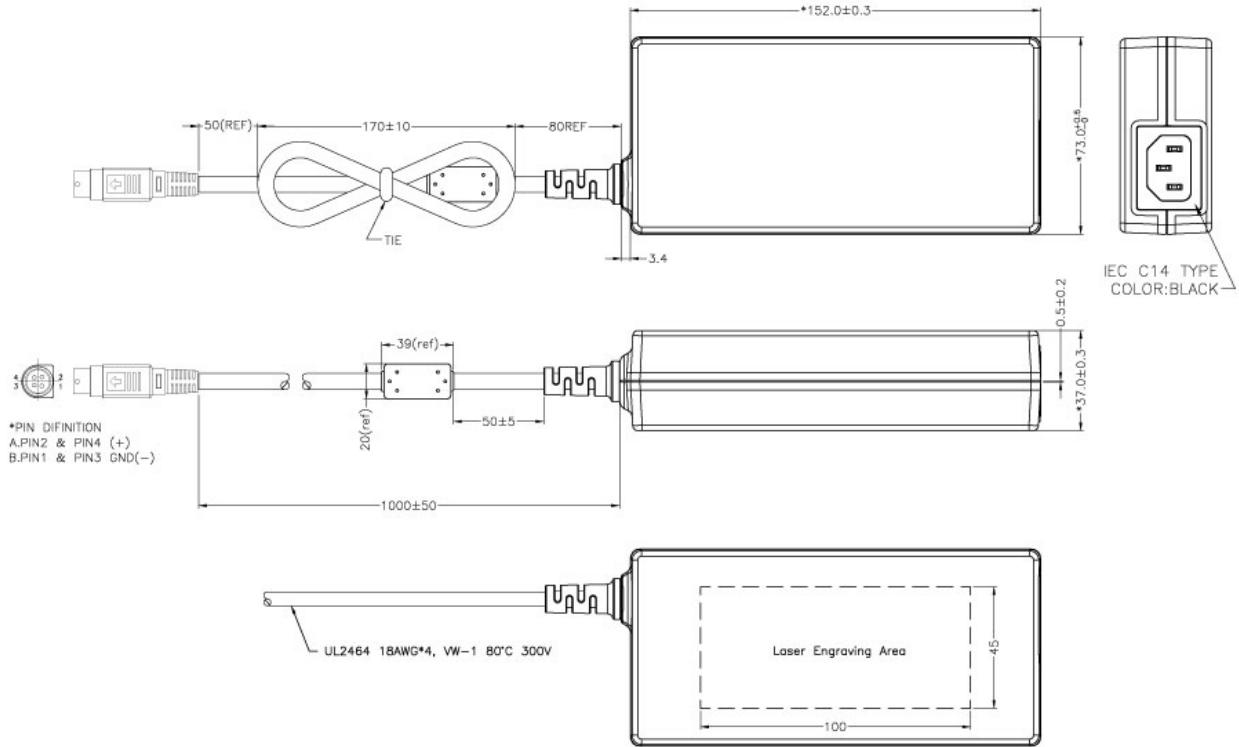
PSA120U Series Specifications¹

| Model | | PSA120U-120L6-R | PSA120U-240L6-R | PSA120U-480L6-R |
|--------------------------|-------------------------------------------|-----------------------------------------------------------------------------------------------------------------------------------------------------------------------|-------------------------------|-------------------------------|
| Output | DC Output Voltage | 12.0V | 24.0V | 48.0V |
| | Max Current | 9.0A (11.0A peak) ³ | 5.0A (6.0A peak) ³ | 2.5A (3.0A peak) ³ |
| | Output Power | 108.0W | 120.0W | 120.0W |
| | Regulation | ± 5% | ± 5% | ± 5% |
| | Ripple & Noise P-P(max) ⁴ | 200mV | 380mV | 480mV |
| Input | AC Input Voltage Range | 90 to 264VAC | | |
| | AC Input Frequency | 47 to 63Hz | | |
| | Input Current | 1.5A (RMS) max @115VAC, 0.75A (RMS) max @230VAC | | |
| | Inrush Current | 220A max @115VAC (Cold start at ambient 25°C) | | |
| | No Load Power Consumption at 115VAC Input | 0.0744W | 0.106W | 0.106W |
| | No Load Power Consumption at 230VAC Input | 0.0846W | 0.134W | 0.1140W |
| | 115VAC Average Efficiency ⁵ | 89.395% | 90.52% | 91.568% |
| | 230VAC Average Efficiency ⁵ | 89.366% | 91.13% | 91.816% |
| | 230VAC 10% Load Efficiency ⁵ | 90.294% | 87.37% | 88.211% |
| Leakage Current | <250uA @250VAC/50Hz | | | |
| Protection | Over-Voltage | 13.2V ~17V Latch mode | <32V | <60V |
| | Short Circuit | Output can be shorted permanently without damage | | |
| | Over-Current | Auto recover | | |
| | Over-Temperature | Latch mode | | |
| Environmental | Operating Temperature | 0°C to +40°C | | |
| | Non-Operating Temperature | -20° to +80°C | | |
| | Operating Humidity | 10 to +95% Relative Humidity | | |
| Safety Approvals and EMC | Dielectric Withstand (HI-POT) | Primary to Secondary: 3000VAC for 1min, 10mA | | |
| | Insulation Resistance | Primary to Secondary: >100M ohm for 500VDC | | |
| | Standards | cULus 60950-1, cULus 62368-1 (except 54V and 56V models), IEC 60950-1, IEC 62368-1 (except 54 and 56V models) | | |
| | EMI Emissions | FCC Part 15 Class B, CAN ICES-003(B)/NMB-003(B), EN 55032/CISPR 32 Class B Conducted and Radiated | | |
| | Harmonic Current Emissions | IEC 61000-3-2 | | |
| | Voltage Fluctuations & Flicker | IEC 61000-3-3 | | |
| | Immunity | EN 55024/CISPR 24: IEC 61000-4-2 (+/- 15kV air, +/- 8kV contact), IEC 61000-4-3, IEC 61000-4-4, IEC 61000-4-5 (+/- 2kV), IEC 61000-4-6, IEC 61000-4-8, IEC 61000-4-11 | | |
| Mechanical | Dimensions (L x W x H) | 152mm (5.98in) x 73mm (2.87in) x 37mm (1.46in) | | |
| | Weight | 800g | | |
| | Cable Length | 1000mm | 1500mm | |
| | DC Output Connector | 4 pin Mini DIN | 2.5mm x 5.5mm x 10.0mm | |
| | DC Wire Type | 18 AWG | 16 AWG | 18 AWG |
| | DC Plug Pin Assignment | Pins 1 & 3: V+ Pins 2 & 4: GND (V-) | Inner (V+) / Outer GND (V-) | |
| | Input Connector | IEC 60320 C14 | | |

| Model | | PSA120U-560L6-R ² |
|--------------------------|--------------------------------------------------------------------------------------------------------------------------------------------------------------------------------------------------------------------------------------------------------------------------------------------------------------------------------------------------------------------------------------------------------------------------------------------------------------------------------------------------------------------------------------------------------------------------------------------|-----------------------------------------------------------------------------------------------------------------------------------------------------------------------|
| Output | DC Output Voltage | 56.0V |
| | Max Current | 2.14A (2.56A peak) ³ |
| | Output Power | 119.84W |
| | Regulation | ±5% |
| | Ripple & Noise P-P(max) ⁴ | 560mV |
| Input | AC Input Voltage Range | 90 to 264VAC |
| | AC Input Frequency | 47 to 63Hz |
| | Input Current | 1.5A (RMS) max @115VAC, 0.75A (RMS) max @230VAC |
| | Inrush Current | 220A max @115VAC (Cold start at ambient 25°C) |
| | No Load Power Consumption at 115VAC Input | 0.123W |
| | No Load Power Consumption at 230VAC Input | 0.1338W |
| | 115VAC Average Efficiency ⁵ | 92.427% |
| | 230VAC Average Efficiency ⁵ | 92.489% |
| | 230VAC 10% Load Efficiency ⁵ | 91.777% |
| Leakage Current | <250uA @250VAC/50Hz | |
| Protection | Over-Voltage | <70V |
| | Short Circuit | Output can be shorted permanently without damage |
| | Over-Current | Auto recover |
| | Over Temperature | Latch mode |
| Environmental | Operating Temperature | 0°C to +40°C |
| | Non-Operating Temperature | -20° to +80°C |
| | Operating Humidity | 10 to +95% Relative Humidity |
| Safety Approvals and EMC | Dielectric Withstand (HI-POT) | Primary to Secondary: 3000VAC for 1min, 10mA |
| | Insulation Resistance | Primary to Secondary: >100M ohm for 500VDC |
| | Standards | cULus 60950-1, cULus 62368-1 (except 54V and 56V models), IEC 60950-1, IEC 62368-1 (except 54 and 56V models) |
| | EMI Emissions | FCC Part 15 Class B, CAN ICES-003(B)/NMB-003(B), EN 55032/CISPR 32 Class B Conducted and Radiated |
| | Harmonic Current Emissions | IEC 61000-3-2 |
| | Voltage Fluctuations & Flicker | IEC 61000-3-3 |
| | Immunity | EN 55024/CISPR 24: IEC 61000-4-2 (+/- 15kV air, +/- 8kV contact), IEC 61000-4-3, IEC 61000-4-4, IEC 61000-4-5 (+/- 2kV), IEC 61000-4-6, IEC 61000-4-8, IEC 61000-4-11 |
| Mechanical | Dimensions (L x W x H) | 152mm (5.98in) x 73mm (2.87in) x 37mm (1.46in) |
| | Weight | 800g |
| | Cable Length | 1500mm |
| | DC Output Connector | 2.5mm x 5.5mm x 10.0mm |
| | DC Wire Type | 18 AWG |
| | DC Plug Pin Assignment | Inner (V+) / Outer GND (V-) |
| | Input Connector | IEC 60320 C14 |
| Notes | <ol style="list-style-type: none"> The specifications defined are at ambient temperature of 25°C, unless otherwise specified. Not recommended for new designs (NRND). Minimum quantity order applies. Peak load is not promised to use over 10 sec. at nominal line, otherwise product life will be reduced. 20MHz bandwidth frequency oscilloscope, add a 0.1µF multilayer Cap. and Low ESR Electrolytic Cap. (10µF) at output connector terminals (nominal line voltage, full load). Efficiency is measured after 30 minutes burn-in. | |



PSA120U-120L6 Outline Drawing





PSA120U Series Outline Drawing (All models except 12V)

