

**30 W  
AC/DC  
EXTER-  
NAL**

# 30 Watt Universal Power

Uni-Input-R-Serie mit austauschbarem Stecker



**PHONING**

## Besondere Merkmale Features

Steckerschaltnetzteil	Plug in switching adaptor
Doppelte Isolation	Double insulated
Geringer Standby-Verbrauch	Low standby current usage
Kompakter Aufbau	Small low profile package
Überlast- und kurzschlußfest	Overload, short circuit protection
Eingangstecker austauschbar	Replaceable input plug adaptor
EnergyStar DOE VI	EnergyStar DOE VI

## Anwendung Application

Drahtlose Kommunikation	Wireless communications
Peripheriegeräte	Peripherals
Netzwerktechnik	Networking
Mobile Ausrüstungen	Portable equipment

## Technische Daten Specification

(bei 25°C Umgebungstemperatur) at 25 °C ambient temperature

## Eingangsdaten Input Specifications

Eingangsspannung	Input voltage range	90...264 VAC
Eingangsfrequenz	Input frequency	47...63 Hz
Funkentstörung	Emissions	FCC part 15 class B / EN55022 class B
Netzausfallüberbrückung	Hold-up time, nom.conditions	10 ms@115VAC
Einschaltstromstoß	Inrush current	<60A/115V, <100A/230V

## Ausgangsdaten Output Specifications

Leistung	Power	30 Watt
Wirkungsgrad	Efficiency	DOE VI
Leerlaufaufnahme	No load power consumption	< 0,1 Watt @ 120/240VAC
Regelabweichung	Regulation	
Hauptausgang	main output	<1%
Ausregelzeit ±2%	Recovery time ±2%	max. 1 ms
Restwelligkeit	Ripple and noise	<1% max.

## Allgemeine Daten General Specifications

Betriebstemperatur	Operating temperature	0°C...+40°C
Lagertemperatur	Storage temperature	-20°C...+75°C
Isolation	Dielectric Withstand (Hipot)	3000VAC 1min inp.<->outp.
Überstromschutz	Overcurrent protection	Short circuit, auto restart
Überspannungsschutz	Overvoltage protection	120 %, auto restart
EMV	EMC	EN55024,EN61000-3-2,-4-2,4-4-5,4-11
Zulassungsbestimmungen	Safety requirements	CE(LVD) EN60950-1:2006+A11(2009)+A1(2010)+A12(2011)+A2(2013) , cUL 60950-1 class 2, CB

# 30 Watt Universal Power

## Uni-Input-R-Serie mit austauschbarem Stecker

**30 W  
AC/DC  
EXTERNAL**

### Bestell-Information / Order Information

Modell	Ausgang Output	Last/Load		Ripple P-P
		Min.	Max.	
PSAA30R-120	12V	0.0 A	2.5 A	120 mV
PSAA30R-150	15V	0.0 A	2.0 A	200 mV
PSAA30R-240	24V	0.0 A	1.25 A	240 mV
PSAA30R-560	56V	0.0 A	0.54 A	560 mV

Andere Typen und Spannungen auf Anfrage • Other models and configurations on request.

Eingangsstecker bitte separat bestellen - Please order input-plug separately

#### Vermerk

1-Restwelligkeit gemessen mit einer 25 cm verdrehten Leitung, welche mit einer 10 µF-Kapazität abgeschlossen wird und zu einer 0,1 µF-Kapazität parallel geschaltet ist.

#### Remarks

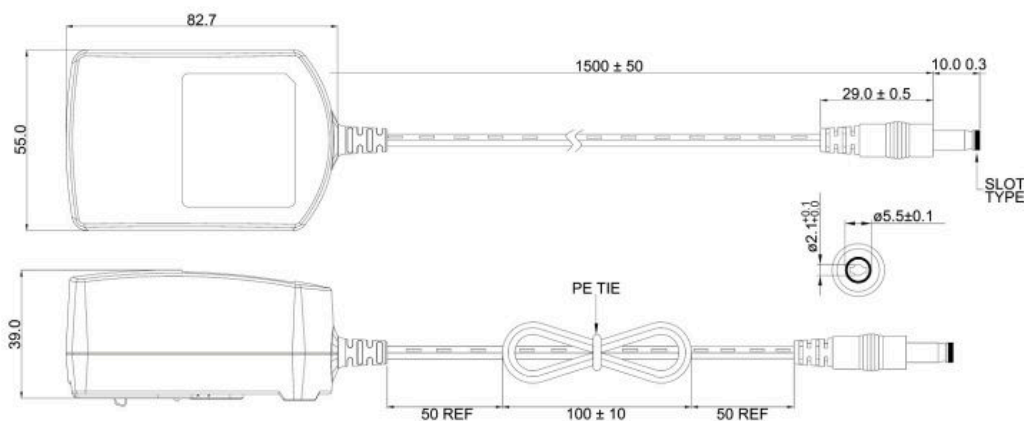
1-Ripple and Noise is measured by using a 12 inch twisted pair cable, terminated with a 10 µF capacitor and a 0.1 µF ceramic in parallel.

### Mechanik

### Mechanical

L×B×H	L×W×H	82 x 55 x 39 mm
Gewicht	Weight	150 g
DC-Kabel	DC-cord	1500 mm

### PIN-Belegung und Zeichnung / Pin Assignments & Drawing



**MEMO:**

## Energieeffizienz / Efficiency (EU) 2019/1782

Model	Input Voltage/Frequency	Output Voltage(V)	Output Current(A)	Power for label	Average efficiency	Efficiency at 10% load	No load power consumption (Watt)
PSAA15W-050L6	230Vac / 50Hz	5,0	3,00	15W	82,40%	75,90%	0.051W
PSAA15W-120L6	230Vac / 50Hz	12,0	1,00	15W	85,30%	75,10%	0.070W
PSAA15W-180L6	230Vac / 50Hz	18,0	0,83	15W	86,60%	76,10%	0.051W
PSAA15W-240L6	230Vac / 50Hz	24,0	0,63	15W	87,30%	75,20%	0.072W
PSAA18U-120L6	230Vac / 50Hz	12,0	1,50	18W	85,45%	75,45%	0.075W
PSAA18U-150L6	230Vac / 50Hz	15,0	1,20	18W	85,45%	75,45%	0.075W
PSAA18U-240L6	230Vac / 50Hz	24,0	0,75	18W	85,45%	75,45%	0.075W
PSAA18U-480L6	230Vac / 50Hz	48,0	0,38	18W	85,45%	75,45%	0.075W
PSAC30U-050L6	230Vac / 50Hz	5,0	4,00	30W	83,74%	77,18%	0.060W
PSAC30U-090L6	230Vac / 50Hz	9,0	3,00	30W	87,61%	81,30%	0.076W
PSAC30U-120L6	230Vac / 50Hz	12,0	2,50	30W	88,83%	83,98%	0.054W
PSAC30U-240L6	230Vac / 50Hz	24,0	1,25	30W	87,70%	77,70%	0.075W
PSAC30U-480L6	230Vac / 50Hz	48,0	0,63	30W	87,70%	77,70%	0.075W
PSAC30U-560L6	230Vac / 50Hz	56,0	0,54	30W	90,17%	77,70%	0.075W
PSM36W-120L6	230Vac / 50Hz	12,0	3,00	36W	87,40%	86,96%	0.1W
PSAC45W-120	230Vac / 50Hz	12,0	3,75	45W	87,73%	80,06%	0.13W
PSAC45W-180	230Vac / 50Hz	18,0	2,50	45W	87,73%	80,06%	0.1W
PSAC45W-240	230Vac / 50Hz	24,0	1,88	45W	87,60%	79,91%	0.116W
PSAC45W-480	230Vac / 50Hz	48,0	0,94	45W	91,00%	83,43%	0,094W
PSAC45W-560	230Vac / 50Hz	56,0	0,80	45W	93,70%	86,21%	0,21W
PSAC60M-120	230Vac / 50Hz	12,0	5,00	60W	88,90%	86,10%	0.123W
PSAC60M-180	230Vac / 50Hz	18,0	3,33	60W	89,30%	87,50%	0.139W
PSAC60M-240	230Vac / 50Hz	24,0	2,50	60W	89,50%	86,20%	0.140W
PSAC60M-480	230Vac / 50Hz	48,0	1,25	60W	89,70%	85,50%	0.158W
PSAC60M-560	230Vac / 50Hz	56,0	1,08	60W	90,30%	84,70%	0.165W
PSAC60W-120	230Vac / 50Hz	12,0	5,00	60W	88,90%	86,10%	0.123W
PSAC60W-180	230Vac / 50Hz	18,0	3,33	60W	89,30%	87,50%	0.139W
PSAC60W-240	230Vac / 50Hz	24,0	2,50	60W	89,50%	86,20%	0.140W
PSAC60W-480	230Vac / 50Hz	48,0	1,25	60W	89,70%	85,50%	0.158W
PSAC60W-560	230Vac / 50Hz	56,0	1,08	60W	90,30%	84,70%	0.165W
PSA120U-120L6	230Vac / 50Hz	12,0	9,00	120W	89,00%	79,00%	0.15W
PSA120U-240L6	230Vac / 50Hz	24,0	5,00	120W	89,00%	79,00%	0.15W
PSA120U-480L6	230Vac / 50Hz	48,0	2,50	120W	89,00%	79,00%	0.15W
PSA10F-050Q	230Vac / 50Hz	5,0	2,00	10W	78,70%	66,58%	0.01W
PSAC05R-050L6	230Vac / 50Hz	5,0	1,00	5W	73,78%	64,59%	0.075W
PSAC05R-050L69S	230Vac / 50Hz	5,0	1,00	5W	73,78%	64,59%	0.075W
PSAC05R-050L69S-H	230Vac / 50Hz	5,0	1,00	5W	73,78%	64,59%	0.075W
PSAC05R-050L6B	230Vac / 50Hz	5,0	1,00	5W	73,78%	64,59%	0.075W
PSAC05R-050L6M	230Vac / 50Hz	5,0	1,00	5W	73,78%	64,59%	0.075W
PSA105R-050QL6	230Vac / 50Hz	5,0	1,00	5W	73,78%	64,59%	0.075W
PSAF10R-050Q	230Vac / 50Hz	5,0	2,00	10W	79,00%	69,73%	0.075W
PSC15R-050	230Vac / 50Hz	5,0	3,00	15W	81,38%	69,49%	0.075W
PSC15R-060	230Vac / 50Hz	5,9	2,50	15W	81,27%	69,37%	0.1W
PSC15R-075	230Vac / 50Hz	7,5	2,00	15W	84,12%	71,55%	0.1W
PSC15R-090	230Vac / 50Hz	9,0	1,67	15W	84,13%	71,56%	0.1W
PSA15R-120P6	230Vac / 50Hz	12,0	1,25	15W	84,12%	71,55%	0.1W
PSA15R-150P6	230Vac / 50Hz	15,0	1,00	15W	84,12%	71,55%	0.1W
PSA15R-240P6	230Vac / 50Hz	24,0	0,63	15W	84,12%	71,55%	0.1W
PSA15R-480P6	230Vac / 50Hz	48,0	0,31	15W	84,12%	71,55%	0.1W
PSAC12R-050	230Vac / 50Hz	5,0	2,40	12W	79,94%	67,89%	0.075W
PSAC12R-060	230Vac / 50Hz	5,9	2,00	12W	79,83%	67,77%	0.075W
PSAC12R-075	230Vac / 50Hz	7,5	1,60	12W	82,96%	70,15%	0.1W
PSAC12R-090	230Vac / 50Hz	9,0	1,33	12W	82,94%	70,13%	0.1W
PSAC12R-120	230Vac / 50Hz	12,0	1,00	12W	83,26%	73,26%	0.075W
PSAC12R-150	230Vac / 50Hz	15,0	0,80	12W	82,96%	70,16%	0.1W
PSAC12R-240	230Vac / 50Hz	24,0	0,50	12W	82,96%	70,16%	0.1W
PSAC12R-480	230Vac / 50Hz	48,0	0,25	12W	82,96%	70,16%	0.1W
PSAA20R-050L6	230Vac / 50Hz	5,0	4,00	20W	83,08%	78,80%	0.1W
PSAA20R-120L6	230Vac / 50Hz	12,0	1,67	20W	85,98%	75,98%	0.075W
PSAA20R-240L6	230Vac / 50Hz	24,0	0,83	20W	85,95%	75,95%	0.075W
PSAA20R-480L6	230Vac / 50Hz	48,0	0,42	20W	86,01%	76,01%	0.075W
PSAA30R-120L6	230Vac / 50Hz	12,0	2,50	30W	86,95%	80,10%	0.1W
PSAA30R-240L6	230Vac / 50Hz	24,0	1,25	30W	88,20%	80,54%	0.088W