

## EZ SERIES

### AC OUTPUT PANEL MOUNT SOLID STATE RELAYS

#### MOUNTING INSTRUCTIONS<sup>(A)</sup>

Please read all installation instructions before using your EZ Series Solid State Relay (SSR).

Choose one of the two mounting options and follow the instructions.

##### Mounting on Heat Sink

- Select adequate heat sink (see thermal derating curves).
- Be sure to use thermal pad or thermal compound between the SSR and the selected heat sink.
- EZ Series Relay mounting slots have a diameter of 0.2 in (5.0 mm). Two screws are needed (not included) to mount the SSR onto heat sink (See fig. 1).
- Before applying full torque, tighten down all 2 screws until they contact the baseplate. Then, tighten them to 8-14 lb-in (1.1-1.5 Nm)
- For optimal thermal performance heat sink fins should be oriented vertically to promote natural airflow.

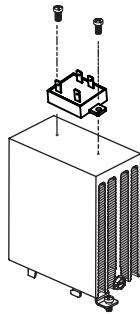


fig. 1 EZ Series SSR mounted on heat sink <sup>(A)</sup>

##### Mounting on Panel

Locate the panel section on which the EZ Series SSR will be mounted. Panel mount surface must be clean, bare metal and provide adequate heat sinking capability.<sup>(A)</sup>

- Be sure to use thermal pad or thermal compound between the SSR and the panel.
- EZ Series Relay mounting slots have a diameter of 0.2 in (5.0 mm). Two screws are needed (not included) to mount the SSR onto panel.
- Before applying full torque, tighten down all 2 screws until they contact the baseplate. Then, tighten them to 8-14 lb-in (1.1-1.5 Nm).

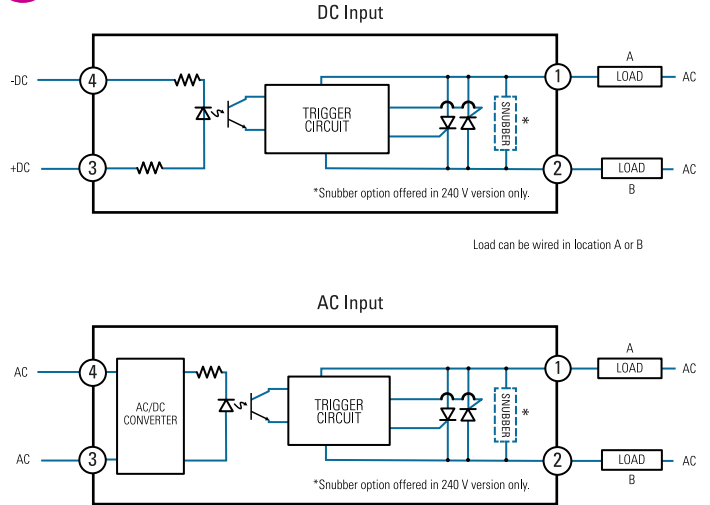
<sup>(A)</sup> For maximum ratings use heat sink ratings shown in EZ series derating curves (see product datasheet).

#### ORDERING OPTIONS

<b>EZ</b>	<b>E</b>	<b>240</b>	<b>A</b>	<b>-</b>	<b>12</b>	<b>S</b>	<b>R</b>
<b>Series</b>							
<b>EZ</b>							
<b>Input Range</b>							
<b>Blank:</b> Standard Input							
<b>E:</b> 18-36 VAC (AC Input)							
15-32 VDC (DC Input)							
<b>Operating Voltage</b>							
<b>240:</b> 24-280 VAC							
<b>480:</b> 48-660 VAC							
<b>Control Voltage</b>							
<b>D:</b> DC 3-15 V (4-15 V for 480 V)							
<b>A:</b> AC 90-140 V							
<b>Load Current</b>							
<b>5:</b> 5 Amps (EZ240D suffix only)							
<b>12:</b> 12 Amps							
<b>18:</b> 18 Amps							
<b>Internal Snubber</b>							
<b>Blank:</b> Not Included							
<b>S:</b> Included (EZ240 only)							
<b>Switching Mode</b>							
<b>Blank:</b> Zero Voltage Turn-On							
<b>R:</b> Random Turn-On							

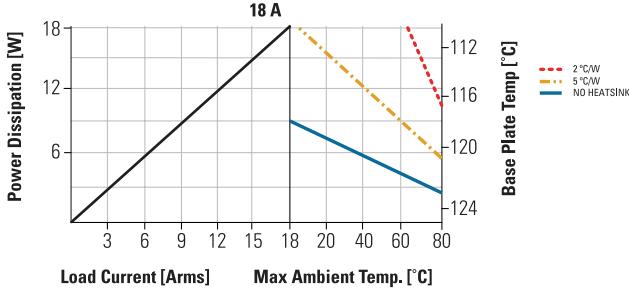
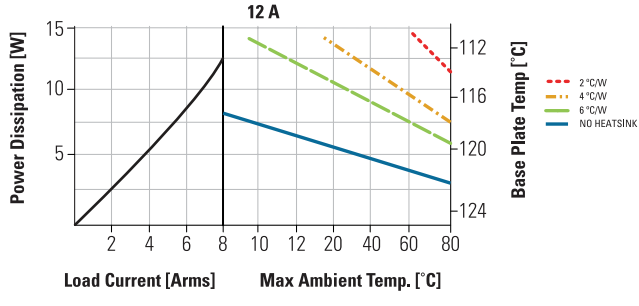
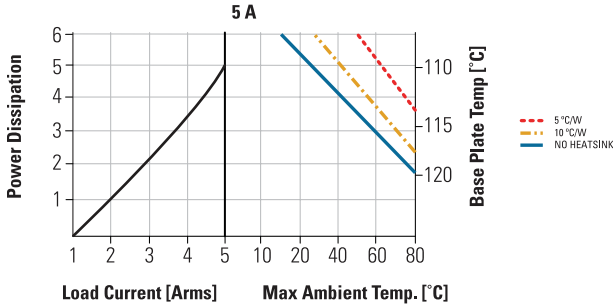
— Required for valid part number  
  For options only and not required for valid part number

#### WIRING DIAGRAM





# THERMAL DERATE INFORMATION



Sensata Technologies, Inc. ("Sensata") data sheets are solely intended to assist designers ("Buyers") who are developing systems that incorporate Sensata products (also referred to herein as "components"). Buyer understands and agrees that Buyer remains responsible for using its independent analysis, evaluation and judgment in designing Buyer's systems and products. Sensata data sheets have been created using standard laboratory conditions and engineering practices. Sensata has not conducted any testing other than that specifically described in the published documentation for a particular data sheet. Sensata may make corrections, enhancements, improvements and other changes to its data sheets or components without notice.

Buyers are authorized to use Sensata data sheets with the Sensata component(s) identified in each particular data sheet. HOWEVER, NO OTHER LICENSE, EXPRESS OR IMPLIED, BY ESTOPPEL OR OTHERWISE TO ANY OTHER SENSATA INTELLECTUAL PROPERTY RIGHT, AND NO LICENSE TO ANY THIRD PARTY TECHNOLOGY OR INTELLECTUAL PROPERTY RIGHT, IS GRANTED HEREIN. SENSATA DATA SHEETS ARE PROVIDED "AS IS". SENSATA MAKES NO WARRANTIES OR REPRESENTATIONS WITH REGARD TO THE DATA SHEETS OR USE OF THE DATA SHEETS, EXPRESS, IMPLIED OR STATUTORY, INCLUDING ACCURACY OR COMPLETENESS. SENSATA DISCLAIMS ANY WARRANTY OF TITLE AND ANY IMPLIED WARRANTIES OF MERCHANTABILITY, FITNESS FOR A PARTICULAR PURPOSE, QUIET ENJOYMENT, QUIET POSSESSION, AND NON-INFRINGEMENT OF ANY THIRD PARTY INTELLECTUAL PROPERTY RIGHTS WITH REGARD TO SENSATA DATA SHEETS OR USE THEREOF.

All products are sold subject to Sensata's terms and conditions of sale supplied at [www.sensata.com](http://www.sensata.com) SENSATA ASSUMES NO LIABILITY FOR APPLICATIONS ASSISTANCE OR THE DESIGN OF BUYERS' PRODUCTS. BUYER ACKNOWLEDGES AND AGREES THAT IT IS SOLELY RESPONSIBLE FOR COMPLIANCE WITH ALL LEGAL, REGULATORY AND SAFETY-RELATED REQUIREMENTS CONCERNING ITS PRODUCTS, AND ANY USE OF SENSATA COMPONENTS IN ITS APPLICATIONS, NOTWITHSTANDING ANY APPLICATIONS-RELATED INFORMATION OR SUPPORT THAT MAY BE PROVIDED BY SENSATA.

Mailing Address: Sensata Technologies, Inc., 529 Pleasant Street, Attleboro, MA 02703, USA.

## CONTACT US

**Americas**  
+1 (877) 502 5500  
sales.crydom@sensata.com

**Europe, Middle East & Africa**  
+44 (1202) 416170  
ssr-info.eu@sensata.com

**Asia Pacific**  
sales.isasia@list.sensata.com  
China +86 (21) 2306 1500  
Japan +81 (45) 277 7117  
Korea +82 (31) 601 2004  
India +91 (80) 67920890  
Rest of Asia +886 (2) 27602006  
ext 2808