

**YSL100F-100W SERIES**

**Input: 220-240V 50/60Hz**  
**Output Voltage: 12V,24V,36V,48V**  
**Rated Power: 100W max**



**Features**

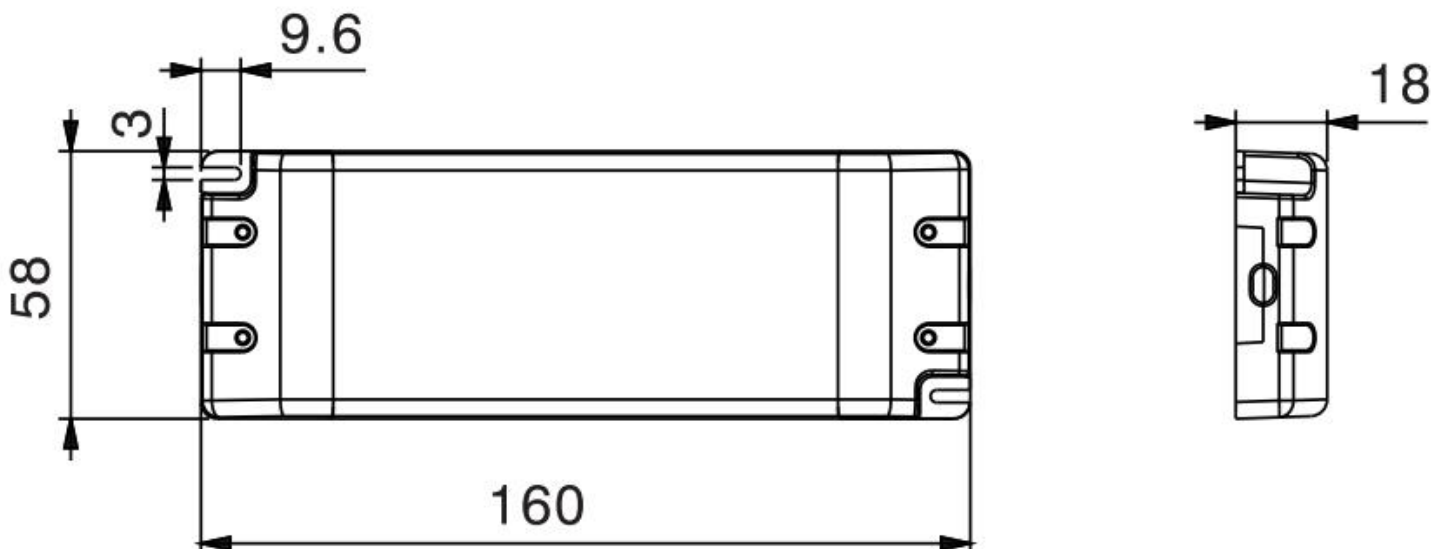
- Super compact Power Supply
- flicker-free Design
- Terminal block for Quick Connection
- Protections: Over Voltage, Overload, Short Circuit, Over Temperature:
- Class II Protection Design
- ERP: EU2019/2020
- RoHS Compliance
- 100% full load burn-in test



**Application**

- LED strips
- LED indoor lighting
- LED decorative lighting
- LED building lighting

**■ Dimensions and Installation**

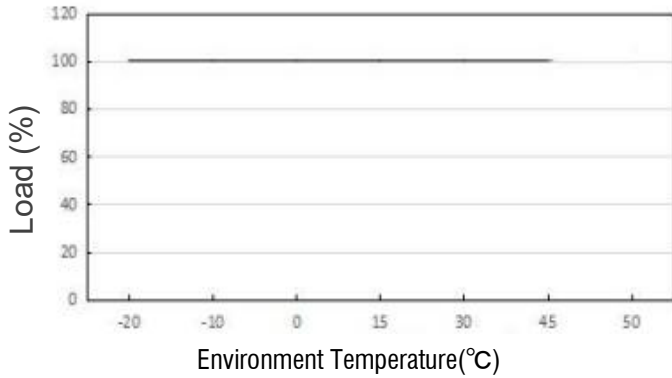


**YSL100F-100W SERIES**

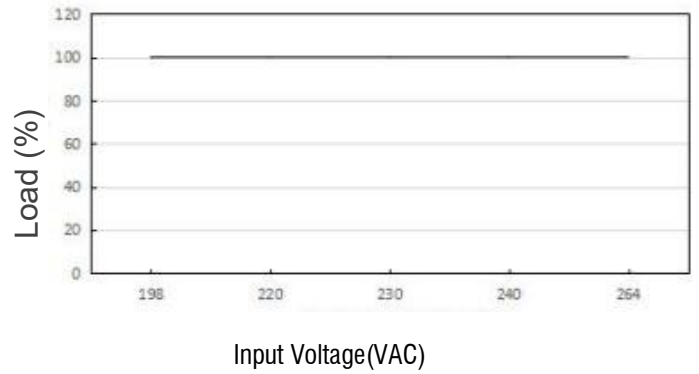
MODEL DETAIL SPEC.		YSL100F-1208330	YSL100F-2404160	YSL100F-3602770	YSL100F-4802080
INPUT	Input Voltage:	220-240VAC			
	Range of Input Voltage:	198-264VAC			
	Input Frequency:	50-60Hz			
	Input Current:	0.7A MAX@Full Load			
	Inrush Current:	< 65 Amps at 230VAC/50Hz@full load			
	Leakage Current:	< 0.25mA/240VAC			
	THD (Full load):	< 20%			
	Unload Power Consumption:	< 0.5W			
	Average Efficiency:	92%			
	Power Factor:	≥0.9@Full Load 220-240VAC			
OUTPUT	DC Voltage:	12V	24V	36V	48V
	Rated Current(Max):	8.33A	4.16A	2.77A	2.08A
	Rated Power(Max):	100W	100W	100W	75W
	Voltage Tolerance:	±5%			
	Ripple and Noise:	400mVp-p	400mVp-p	400mVp-p	400mVp-p
	Line Regulation:	±3%			
	Load Regulation:	±5%			
	Setup, Rise, Hold Up Time:	1s, 10ms/60ms 230VAC @ full load			
ENVIRONMENTAL	Operating Temperature Ta:	-20°C ~ +45°C			
	Storage Temp:	-40°C ~ +85°C			
	Maximum Case Temperature Tc:	+85°C			
	Humidity:	20 ~ 95% RH			
	Lifetime:	>30000hours@ta 40°C			
PROTECTION	Over Load:	Yes , Above 105%-130% rated output power Protection type: Hiccup mode, recovers automatically after fault condition is removed			
	Over Voltage:	Yes , 12V:13.8 ~ 16.2V 24V:27.6 ~ 32.4V 36V:41.4~48.6V 48V: 55.2~64.8V Protection type: Shut down o/p voltage, re-power on to recover			
	Short Circuit:	Yes , Protection type:Hiccup mode, recovers automatically after fault condition is removed			
	Over Temperature:	Yes , Protection type: Auto Restore			
SAFETY & EMC	Safety Regulations:	EN61347-2-13:2014+A1:2017,EN61347-1:2015+A1:2021;EN62493:2015			
	Withstand Voltage:	I/P-O/P:3750VAC			
	Harmonic:	EN61000-3-2 Class C EN61000-3-3			
	EMI:	Compliance to EN55015			
	EMS:	Compliance to EN61547:2009			
OTHER	MTBF:	200,000 Hours Minimum at Full Load at 25°C Ambient			
	Case Material and Size:	Plastic			
	IP Grade:	IP20			
	Size:	160*58*18mm			
	Weight:	255g / pcs			
	Packaging:	50PCS/CTN,35*14.5*35cm			

**YSL100F-100W SERIES**

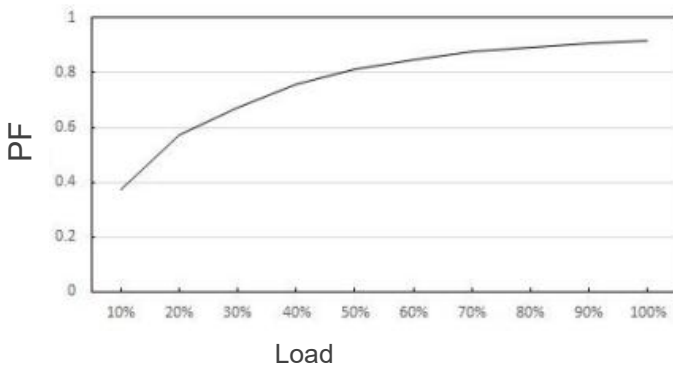
**Deduction Curve and Temperature**



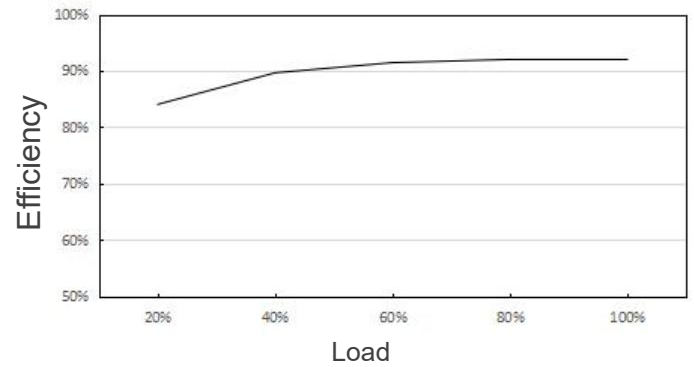
**Minus Output and Input Voltage Curves**



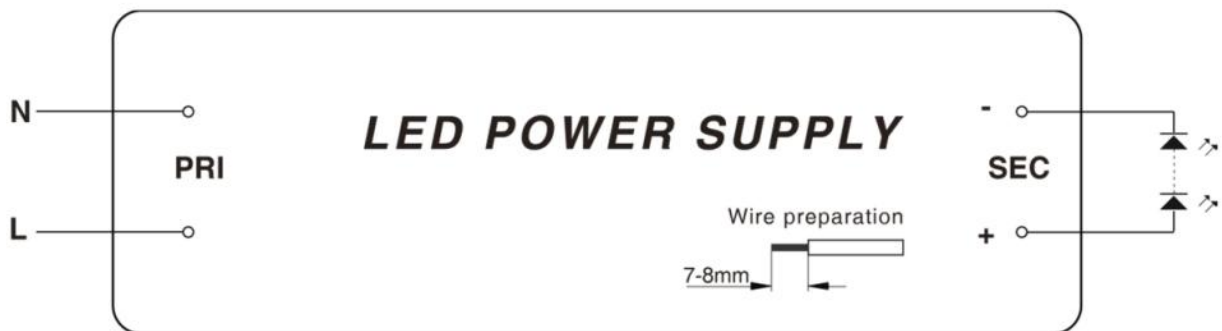
**Power Factor (PF) Curves**



**Efficiency Vs Load**



**Wiring Diagram**



**Manufacturer's address:**

Cuijia, Xidian Town, Ninghai, Ningbo 315613, China

Tel: +86-574-87563856

<https://www.yingjiaodriver.com>