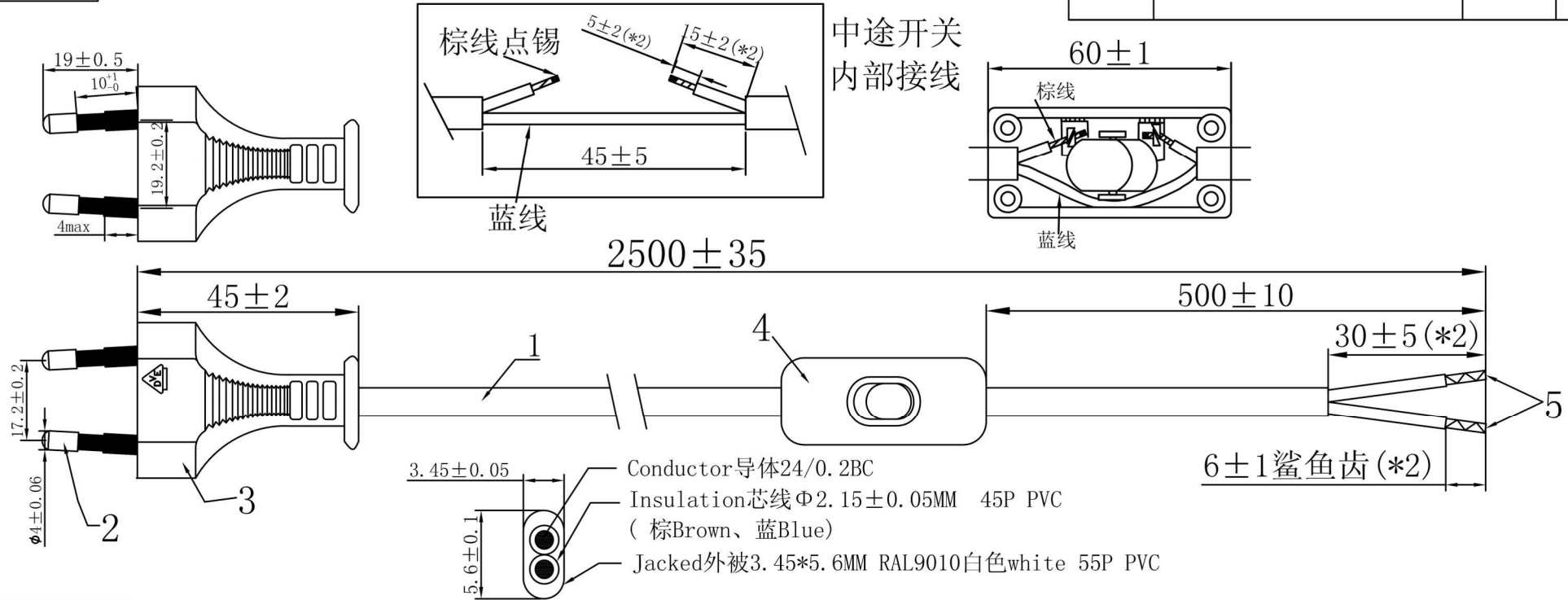


客户料号:R602
产品图号:

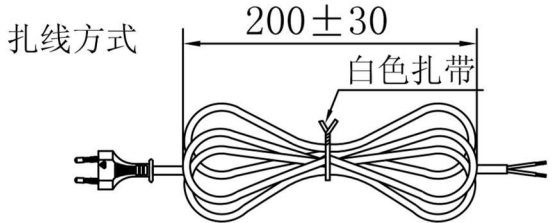
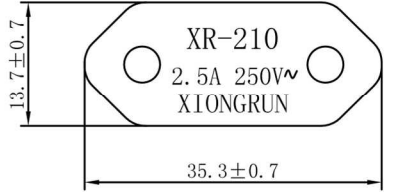
版次	详细描述	变更日期	变更者
A/0			



中途开关
内部接线

线材印字为凹印, 字轮编号: BY103 wire marking:
 <VDE> KEMA-KEUR H03VVH2-F 2X0.75mm² Q080451 GUANGDONG
 XIONGRUN ELECTROCAL CO., LTD.

技术要求: requirement:
 1: 耐压测试: 外高压4200V/S 内高压1500V/S 漏电流0.5mA
 Dielectric voltage : between jacket and conductors 4200V/S
 between conductors 1500V/S Leakage current 0.5mA
 2: 绝缘阻抗不小于100兆欧.
 Insulation resistance 100MΩ.
 3: 100%导通OK.
 Continuity of lead 100% OK.
 4: 符合ROHS
 RoHS COMPLIANT



HAWA
HAns WAagner GmbH

5	沙鱼齿端子18-22AWG, T=0.3, 黄铜本色	DWSYC00001T-0	2	EA						
4	中途开关 COLOR:白色white	JBZUKG001-W	1	EA						
3	欧洲插头 (XR-210) COLOR:RAL9010白色white 55P PVC	BC7055PWT0101	0.0172	Kg	DESCRIPTION	AC POWER CABLE	DRAW NO.	XR-0672348	UNIT	M M
2	两芯欧洲端子(白色绝缘).	DAAZ00001T-1W	1	EA	PARTS NO		SCALE	NONE	DATE	18/02/2016
1	H03VVH2-F 2X0.75mm ² COLOR:RAL9010白色white 裁线长:L=2500mm.	CV3H22075A90101	1	EA	APPROVED		CHECKED		DRAWING	陆剑
NO.	DESCRIPTION	Xiongrun PN	QTY	unit						