

CLIFF

SEALED 1/4" MINI JACK MODEL S1K



Many types of professional music equipment nowadays use high power components, and need to be cooled by fans. Fans draw in dust and pollutants which can adversely affect the contacts of conventional jacks, with exposed contacts.

S1K avoids possibility of contamination of contacts by means of a sealing cover over the top and bottom of the jack. The height profile and PCB fitting are the same as our standard S1 jacks.

S1K is available with switched mono /BNB or stereo /BBB configurations and types of front bush. Other contact configurations can be made subject to quantity. Plastic nut is standard.

MODELS

S1KA Standard fully threaded for plastic or metal nut.

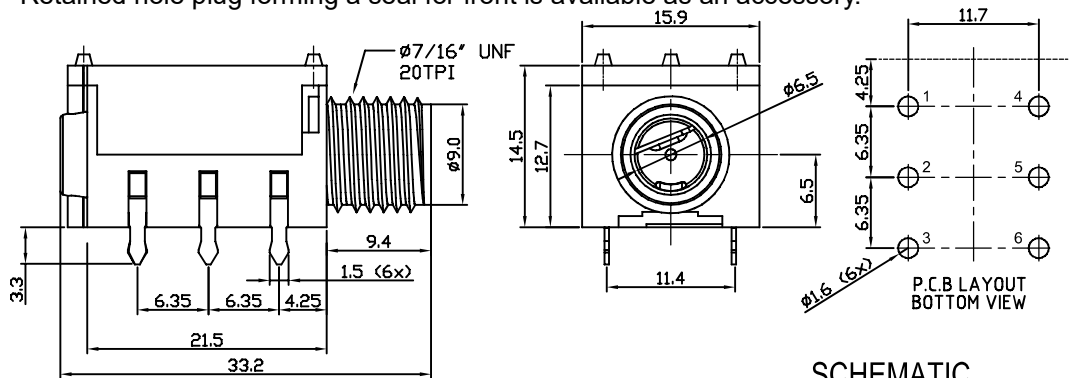
S1KB SPN - Partially reduced nose. Nuts not usually used, but are supplied.

S1KC Full thread with discrete bright insert and isolated RFI washer

S1KD Full thread with prominent bright insert. RFI washer connected to inserted jack plug.

S1KE Non thread bush. Nuts not used.

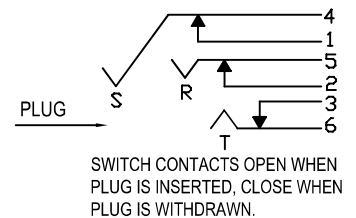
Retained hole plug forming a seal for front is available as an accessory.



PART Nos.

FC67810	S1KA/BBB/WNW SEALED JACK STD
FC67815	S1KA/BNB/WNW SEALED JACK STD
FC67820	S1KB/BBB/WNW/SPN SEALED JACK
FC67825	S1KB/BNB/WNW/SPN SEALED JACK
FC67830	S1KC/BBB/NI/WW/IEW SEALED JACK
FC67835	S1KC/BNB/NI/WW/IEW SEALED JACK
FC67840	S1KD/BBB/NI/WW/CEW SEALED JACK
FC67845	S1KD/BNB/NI/WW/CEW SEALED JACK
FC67850	S1KE/BBB/NNW SEALED JACK PLAIN
FC67855	S1KE/BNB/NNW SEALED JACK PLAIN
FC67858	S1K FRONT SEAL

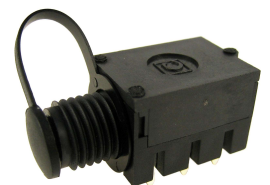
SCHEMATIC



IEW = isolated earth washer
CEW = connected earth washer

SPECIFICATION

Withstand Voltage:	2000VDC Min.
Maximum Current:	5A.
Temperature Rating:	-10°C ~ +70°C
Life >10000 operations:	Contact resistance <100mΩ
Initial Contact Resistance:	<50mΩ
IP Rating (with plug in):	IP50



Black socket showing hole seal.

Order as: S1K[] / BNB - Mono
BBB - Stereo
Type

RoHS / REACH compliant
All models, except type E, supplied with plastic nut and washer
100 / Tray / 1000 / Carton

For further information, contact sales@cliffuk.co.uk