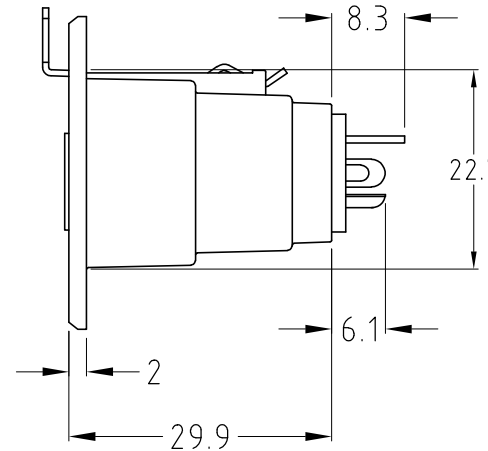
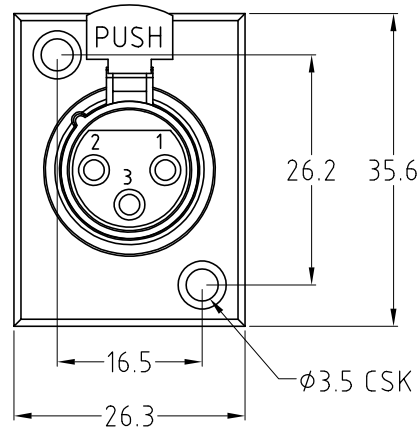
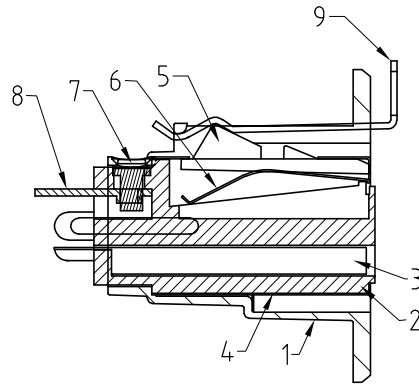


VARIANTS AVAILABLE

PART No.	TYPE	FINISH	RATING
FC6100	3ACF/M	NICKEL	16A
FC6101	3ACF/BM	BLACK	
FC6120	4ACF/M	NICKEL	9A
FC6121	4ACF/BM	BLACK	
FC6170	5ACF/M	NICKEL	7.5A
FC6171	5ACF/BM	BLACK	

ISS.	AMEND	DATE
1	1st DRAWN	27/01/03
2	<del>FC6170 5ACF/M REMOVED</del>	09/10/05
3	FC6100N ADDED	24/09/10
4	UPDATE+DEL 7 POLE	28/06/15



ITEM	DESCRIPTION	QTY	MATERIAL	FINISH
1	BODY	1	ZINC ALLOY	NICKEL PLATE / BLACK
2	INSERT	1	PBT	GREY
3	CONTACT PINS	3 / 4 / 5	PHOSPHOR BRONZE	SILVER PLATE
4	SLEEVE	1	BRASS	NICKEL PLATE
5	BUTTON	1	ZINC ALLOY	NICKEL PLATE
6	SPRING	1	SPRING STEEL	BLACK
7	SCREW	1	STEEL	NICKEL PLATE
8	EARTH CONTACT	1	STEEL	NICKEL PLATE
9	LATCH	1	STEEL	NICKEL PLATE

NOTES

Contact Resistance:  $\leq 5m\Omega$   
 Insulation Resistance:  $\geq 5000M\Omega$   
 Withstand Voltage: 1400V  
 Durability(Mating & Unmating):  $\geq 2000$   
 Temperature range: -20°C to +80°C

**RoHS**  
**COMPLIANT**

TOLERANCE  
 NO DEC. PLACE  $\pm 0.50$   
 1 DEC. PLACE  $\pm 0.25$   
 2 DEC. PLACE  $\pm 0.10$   
 HOLE  $\phi \pm 0.20$   
 ANGLES  $\pm 1^\circ$   
 UNLESS OTHERWISE STATED

DO NOT SCALE

**Cliff Electronic Components Ltd.**  
 76 Holmethorpe Avenue, Holmethorpe Industrial Estate,  
 Redhill, Surrey, RH1 2PF, England, UK  
 Tel: 01737-771375 Fax: 01737-766012 Website: www.cliffuk.co.uk

DIMENSIONS IN MILLIMETERS UNLESS OTHERWISE STATED. WORK TO DIMENSIONS. REMOVE ALL BURRS. IF IN DOUBT ASK.

3rd ANGLE PROJECTION:

MATERIAL: COMPOSITE

TITLE: XLR SOCKET (FEMALE) X ACF/M

FINISH: CLEAN

DRAWN: MST

APPROVED: RWT

DRWG. No. **FC6100**

FORM: A4DRWGI