

## YSL150F SERIES

**Input: 220-240V 50/60Hz**  
**Output Voltage: 12V,24V,36V,48V**  
**Rated Power: 150W max**



### Features

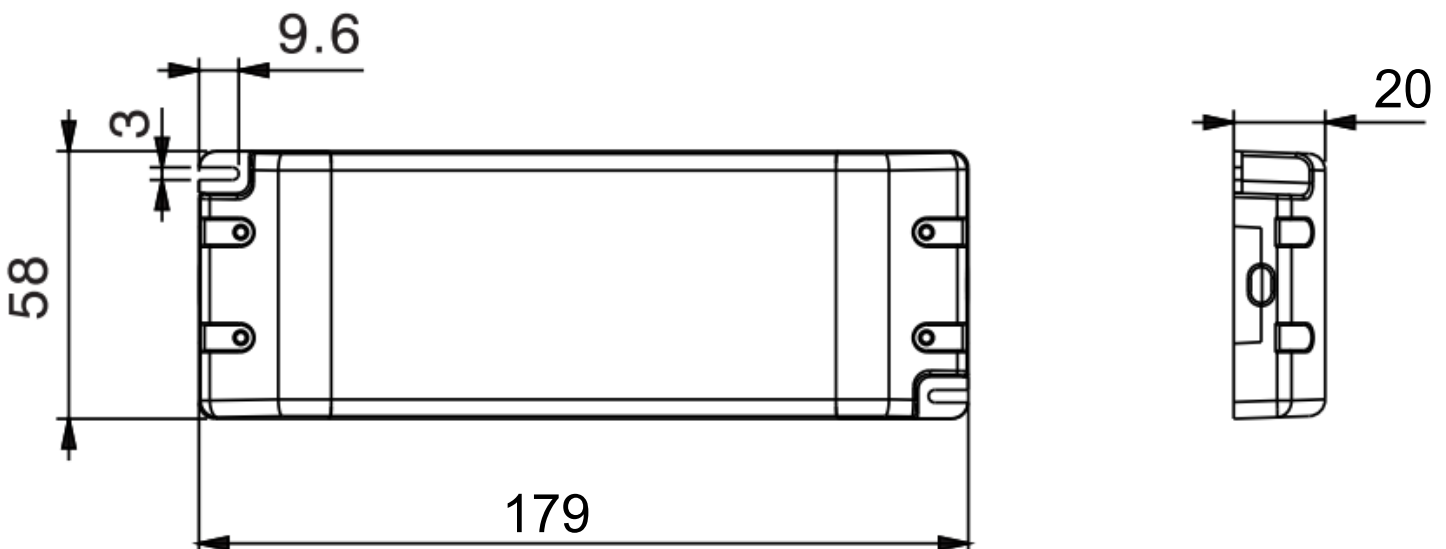
- Independent Ultrathin Power Supply
- flicker-free Design
- Terminal block for Quick Connection
- Protections: Over Voltage, Overload, Short Circuit
- Class II Protection Design
- ERP :EU2019/2020

CE SELV RoHS UKCA

### Application

LED strips  
 LED indoor lighting  
 LED decorative lighting  
 LED building lighting

### ■ Dimensions and Installation

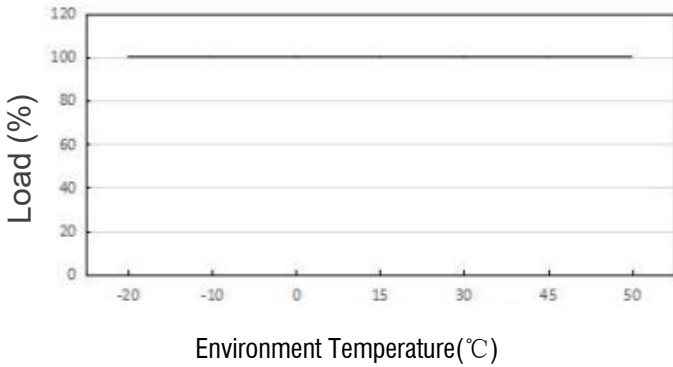


## YSL150F SERIES

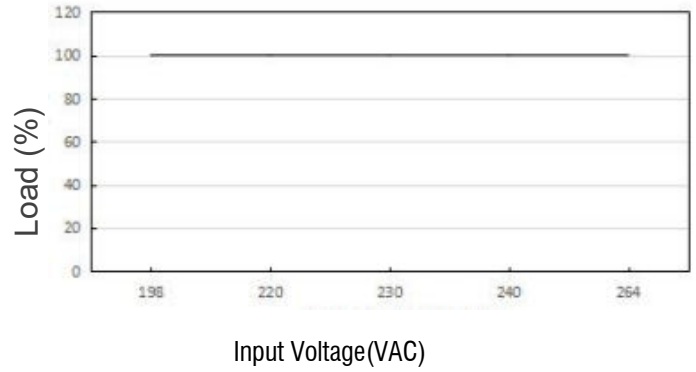
| MODEL DETAIL SPEC. |                                     | YSL150F-12011000  | YSL150F-2406250 | YSL150F-3604166 | YSL150F-4803125 |
|--------------------|-------------------------------------|---|-----------------|-----------------|-----------------|
| INPUT              | Input Voltage:                      | 220-240VAC  |                 |                 |                 |
|                    | Range of Input Voltage:             | 198-264VAC  |                 |                 |                 |
|                    | Input Frequency:                    | 50/60Hz   |                 |                 |                 |
|                    | Input Current:                      | 1.3 A MAX@Full Load   |                 |                 |                 |
|                    | Inrush Current:                     | < 65 Amps at 230VAC/50Hz@full load  |                 |                 |                 |
|                    | Leakage Current:                    | < 0.25mA/240VAC   |                 |                 |                 |
|                    | THD(Full Load):                     | < 20%   |                 |                 |                 |
|                    | Unload Power Consumption:           | < 0.5W  |                 |                 |                 |
|                    | Efficiency:                         | 90%   |                 |                 |                 |
|                    | Power Factor:                       | ≥0.9@Full Load 220-240VAC   |                 |                 |                 |
| OUTPUT             | DC Voltage:                         | 12V   | 24V             | 36V             | 48V             |
|                    | Rated Current(Max):                 | 11A   | 6.25A           | 4.16A           | 3.125A          |
|                    | Rated Power(Max):                   | 132W  | 150W            | 150W            | 150W            |
|                    | Voltage Tolerance:                  | ±5%   |                 |                 |                 |
|                    | Ripple and Noise:                   | 400mVp-p  | 400mVp-p        | 400mVp-p        | 400mVp-p        |
|                    | Line Regulation:                    | ±3%   |                 |                 |                 |
|                    | Load Regulation:                    | ±5%   |                 |                 |                 |
|                    | Setup, Rise, Hold Up Time:          | 1s, 10ms/60ms 230VAC @ full load  |                 |                 |                 |
| ENVIRONMENTAL      | Operating Temperature Ta:           | -20°C ~ +45°C   |                 |                 |                 |
|                    | Storage Temp:                       | -40°C ~ +85°C   |                 |                 |                 |
|                    | Maximum Case Temperature Tc:        | +85°C   |                 |                 |                 |
|                    | Humidity:                           | 20 ~ 95% RH   |                 |                 |                 |
|                    | Lifetime:                           | >30000hours@ta 40°C   |                 |                 |                 |
| PROTECTION         | Over Load:                          | Yes , Protection type: Auto Restore   |                 |                 |                 |
|                    |                                     | Protection type: Hiccup mode, recovers automatically after fault condition is removed |                 |                 |                 |
|                    | Over Voltage:                       | Yes , Protection type: Auto Restore   |                 |                 |                 |
|                    |                                     | Protection type: Shut down o/p voltage, re-power on to recover                        |                 |                 |                 |
| Short Circuit:     | Yes , Protection type: Auto Restore |   |                 |                 |                 |
| SAFETY & EMC       | Safety Regulations:                 | EN61347-2-13:2014+A1:2017,EN61347-1:2015;EN62493:2015                                 |                 |                 |                 |
|                    | Withstand Voltage:                  | I/P-O/P:3750VAC   |                 |                 |                 |
|                    | Harmonic:                           | EN61000-3-2 Class C EN61000-3-3   |                 |                 |                 |
|                    | EMI:                                | Compliance to EN55015   |                 |                 |                 |
|                    | EMS:                                | Compliance to EN61547:2009  |                 |                 |                 |
| OTHER              | MTBF:                               | 200,000 Hours Minimum at Full Load at 25°C Ambient                                    |                 |                 |                 |
|                    | Case Material and Size:             | Plastic   |                 |                 |                 |
|                    | IP Grade:                           | IP20  |                 |                 |                 |
|                    | Size:                               | 179*58*20mm   |                 |                 |                 |
|                    | Weight:                             | 330g / pcs  |                 |                 |                 |
|                    | Packaging:                          | 50PCS/CTN,39*35*15cm  |                 |                 |                 |

**YSL150F SERIES**

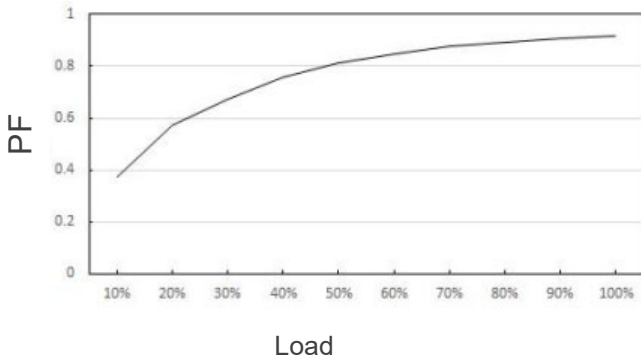
**Deduction Curve and Temperature**



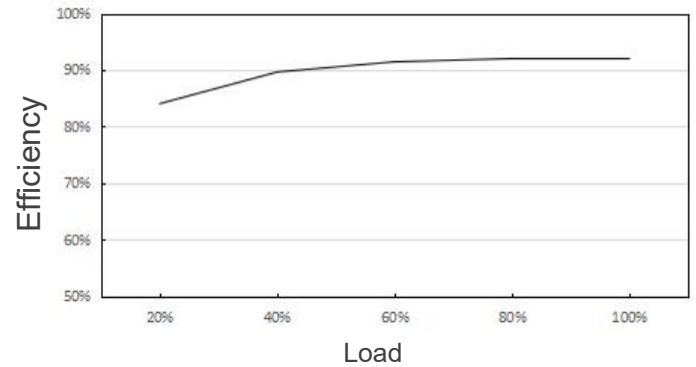
**Minus Output and Input Voltage Curves**



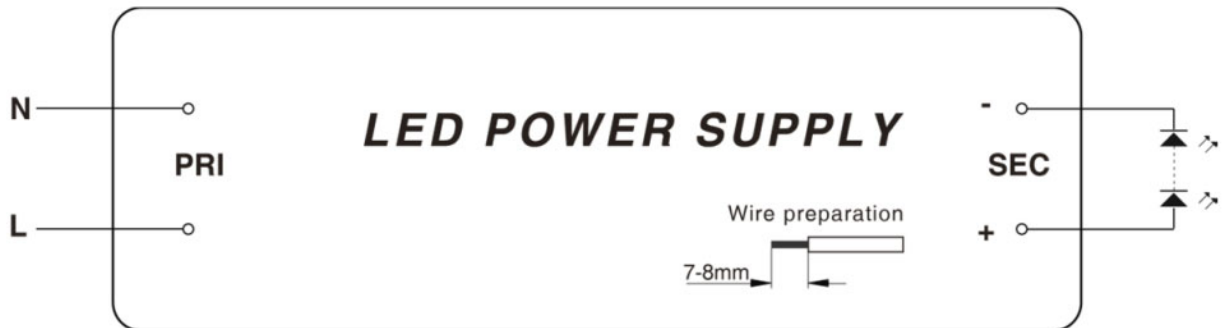
**Power Factor (PF) Curves**



**Efficiency Vs Load**



**Wiring Diagram**



**Manufacturer's address:**

Cuijia, Xidian Town, Ninghai, Ningbo 315613, China

Tel: +86-574-87563856

<https://www.yingjiaodriver.com>